

Important safety

Please read carefully

Please retain instructions for future reference.



WARNING: This appliance is not designed to pick up spills. Only use this appliance in a vertical position; do not use it in a horizontal position. If the appliance is used in a horizontal position, water may leak out of the vents. This could cause injury to the user or damage to the appliance. Using the appliance in a horizontal position will void the warranty.

SAFETY INSTRUCTIONS

- When using electrical appliances, basic safety precautions should always be followed.
- Check that the voltage indicated on the rating plate corresponds with that of the local network before connecting the appliance to the mains power supply.
- This appliance can be used by children aged from 8 years and above and persons with reduced physical, sensory or mental capabilities and knowledge, if they have been supervised/instructed and understand the hazards involved.
- Children shall not play with the appliance.
- Children should not perform cleaning or user maintenance, unless they are older than 8 and supervised.
- This appliance is not a toy.
- If the power supply cord, plug or any part of the appliance is malfunctioning or if it has been dropped or damaged, cease using the product immediately to avoid potential injury.
- This appliance contains no user serviceable parts, only a qualified electrician should carry out repairs. Improper repairs may place the user at risk of harm.
- Keep the appliance and its power supply cord out of the reach of children.
- Keep the appliance out of the reach of children when it is switched on or cooling down.
- Keep the appliance away from heat or sharp edges that could cause damage.
- Keep the appliance free from dust, lint, hair or anything that may reduce the airflow of the appliance.
- Do not immerse the electrical components of the appliance in water or any other liquid.
- Do not operate the appliance with wet hands or if any connections are wet.
- Do not expose the appliance to rain.
- Do not use the appliance if it has been dropped or if there are visible signs of damage.
- Do not use the appliance for anything other than its intended use.
- Do not use any parts/accessories other than the parts supplied with this appliance, as this may cause damage.
- Do not use this appliance if any of the openings are blocked.
- Do not use the appliance to pick up flammable liquid, matches, cigarette ends, hot ashes or any hot, burning or smoking objects.
- Do not use this appliance to pick up hard, sharp objects, such as glass or nails etc.
- Take care when equipping accessories with rotating parts, as this could cause entrapment.
- Use of an extension cord with the appliance is not recommended.
- This appliance should not be operated by means of an external timer or separate remote control system.
- This appliance is intended for domestic use only. It should not be used for commercial purposes.

UK CE

EN | Disposal of Waste Batteries and Electrical and Electronic Equipment



This product is labelled with this crossed out wheel bin symbol in accordance with European Directive 2012/19/EC to indicate that it must not be disposed of with your other household waste. Due to the presence of hazardous substances, mixtures or components, electrical and electronic devices that are not subject to selective sorting are potentially dangerous to the environment and human health. Please check your local city office or waste disposal service for the return and recycling of this product.

Manufactured by:
Ultimate Products UK Ltd.,
Victoria Street, Manchester OL9 0DD. **UK.**
Ultimate Products Europe Ltd.,
19 Baggot Street Lower, Dublin D02 X658. **ROI.**
MADE IN CHINA.

CD151124/MD000000/V1

Troubleshooting

Problem	Possible cause	Solution
The window vac will not turn on.	The window vac has run out of charge.	Charge the window vac following the instructions in the section entitled ' Charging the window vac '.
Water is leaking from the air vents.	The water has exceeded the 60 ml max. fill level.	Empty the water tank following the instructions in the section entitled ' Emptying the water tank '.
	Spirit or foam detergent has been used to clean the surface of the mirror or window.	Use conventional window cleaning concentrate as opposed to spirit or foam detergents.
	The window vac has been used horizontally.	The window vac must only be used in a vertical position during operation.
The window vac is leaving streaks on the surface.	The squeegee vacuum head is dirty.	Clean the squeegee vacuum head with a soft, damp cloth and leave to dry naturally.
	There is too much window cleaning concentrate on the surface of the mirror or window.	Adjust the dilution of the window cleaning concentrate.

Specifications

Product code: BEL01105

Battery: 3.7 V 2000 mAh Li-ion battery (included)

Adaptor input: 100–240 V AC 50/60 Hz 0.2 A Max.

Adaptor output: 5.0 V = 0.8 A, 4.0 W

Average active efficiency: 74.88%

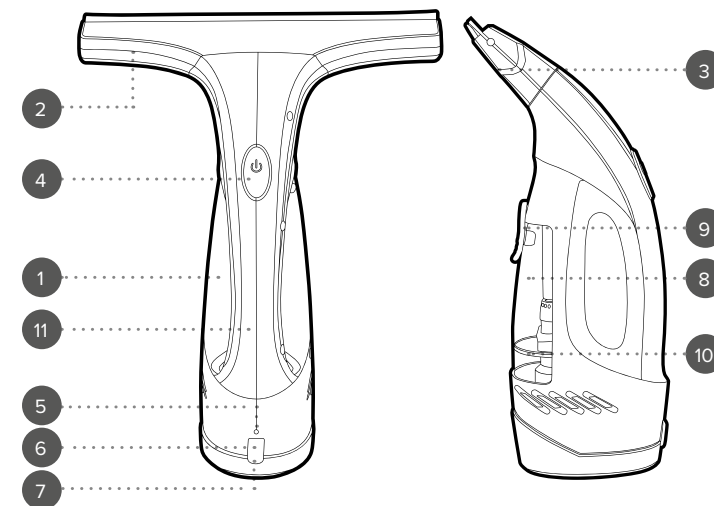
Efficiency at low load (10%): 62.65%

No load power consumption: 0.06 W

IPX 4

User manual

Window vac



- | | |
|---|-----------------------------|
| 1. Window vac main body | 6. Charging port |
| 2. Squeegee vacuum head | 7. Charging port cover |
| 3. Squeegee head locking tab/
release button | 8. Water tank |
| 4. On/off button | 9. Water tank plug |
| 5. Charging indicator light | 10. Max. fill level (60 ml) |
| | 11. Handle |



To register for your extended guarantee, scan the QR code or visit guarantee.uppic.com/beldray and register your product within 30 days of purchase.
For any further queries, visit www.beldray.com.

Please retain instructions for future reference.



WARNING: This appliance is not designed to pick up spills. Only use this appliance in a vertical position; do not use it horizontally. If the appliance is used in a horizontal position, water may leak out of the vents. This could cause injury to the user or damage to the appliance. Using the appliance in a horizontal position will void the warranty.

BATTERY SAFETY

- The supply terminals are not to be short-circuited.
- In the event of a battery pack leaking, do not allow the liquid to come in contact with the skin or eyes. If contact has been made, wash the affected area with copious amounts of water and seek medical advice.
- Secondary cells and batteries need to be charged before use. After extended periods of storage, it may be necessary to charge and discharge the battery pack several times to obtain maximum performance.
- Do not leave a battery pack on prolonged charge when not in use.
- Do not use any charger other than that specifically provided for use with the product.
- Do not use any cell or battery which is not designed for use with the product.
- Keep batteries out of the reach of children.
- Do not crush, puncture, dismantle or otherwise damage the battery pack.
- Do not store above 60 °C.
- Avoid storage in direct sunlight.
- Do not expose the battery pack to heat or fire, as it may explode.
- Do not subject the battery pack to mechanical shock.
- To dispose of the exhausted battery pack, take it to a local recycling station. Contact the local government offices for further details.
- This appliance is fitted with a 3.7 V 2000 mAh Li-ion rechargeable battery (non-removable).

Dos and don'ts

DO:
Only use the window vac with the power supply unit provided.

DON'T:
Use the power supply cord to recharge non-rechargeable batteries or any other window vac.
Remove the power supply cord from the mains power supply by pulling the cord; switch off and remove the plug by hand.

Care and maintenance

STEP 1: Release the squeegee vacuum head by pressing the squeegee vacuum head locking tab/release button and pulling the head upward.

STEP 2: Wipe the window vac main body, squeegee vacuum head and exterior of the water tank with a soft, damp cloth and allow to dry thoroughly.



NOTE: The window vac should be cleaned after each use. Do not use harsh or abrasive cleaners or detergents.

Instructions for use

Before first use

Before using the window vac for the first time, wipe it with a soft, damp cloth and dry thoroughly.
Check that the squeegee vacuum head is free from any debris (e.g. hair), as this could ruin the streak-free finish or damage the surface of the glass.

Assembling the window vac

Switch off the window vac, disconnect it from the mains power supply and allow to cool fully before changing or fitting accessories and before cleaning or user maintenance.

STEP 1: Attach the squeegee vacuum head by pushing the squeegee vacuum head locking tab/release button and inserting it onto the top of the window vac main body, until it locks into position. The screws on the underside of the squeegee vacuum head should be facing downwards.

STEP 2: Make sure that the water tank plug is firmly in place; failure to do so may result in a water leak that may damage the window vac.



NOTE: The squeegee vacuum head will only clip onto the window vac main body one way.

Charging the window vac

Before first use, the window vac must be charged for approx. 3 hours. Subsequent charging times will take approx. 2–3 hours.

STEP 1: Connect the lead from the mains power adaptor to the charging port on the window vac.

STEP 2: Plug the mains power adaptor into the mains power supply; the charging indicator light will flash blue to signal that the battery is charging. Once the battery is fully charged, the charging indicator light will stop flashing and remain lit.



NOTE: Whilst charging, the window vac may become warm.



CAUTION: Exercise caution when charging the window vac; it must be stood upright on a dry, stable surface, away from other appliances.



WARNING: Do not leave the window vac unattended whilst it is charging. In the case of abnormal operation (e.g. it begins to emit smoke), switch off and unplug the window vac from the mains power supply immediately. Do not use any mains power adaptor other than that supplied, as this could cause a hazard.

Using the window vac

STEP 1: Apply a diluted window cleaning solution to a window following the manufacturer's instructions.

STEP 2: Turn on the window vac by pressing 'O'.

STEP 3: Place the squeegee vacuum head against the window surface in a vertical position.

STEP 4: Clean the window from top to bottom using long, straight, downward movements. This will avoid leaving drip marks or smears and leave the window with a streak-free finish.

STEP 5: The window vac can be used to remove any excess water that remains on the window surface. Whilst switched on, hold the window vac vertically where the excess water has collected and allow it to suck up the liquid.

STEP 6: Turn off the window vac by pressing 'O'.



NOTE: Check that the water tank plug is firmly in position to avoid leakage of water from the tank.



WARNING: Do not use the window vac to pick up anything other than water or diluted window cleaning concentrate.

Emptying the water tank

STEP 1: Switch off and unplug the window vac from the mains power supply.

STEP 2: Detach the water tank plug from the front of the water tank and tilt it to drain away any excess water.

STEP 3: Fix the water tank plug back onto the water tank.



NOTE: The water tank should be emptied after each use.



WARNING: Do not allow the water tank to fill beyond the max. fill level, as this may cause water to leak from the vents and could damage the window vac.

Storage

Check that the window vac is cool, clean and dry and that the water tank is empty before storing in a cool, dry place.



NOTE: If the battery is exhausted, it is recommended to charge the window vac slightly before storage. This will help to prolong the life of the battery. The window vac may need to be recharged after storage, before the next use.