

HDF310PGZ

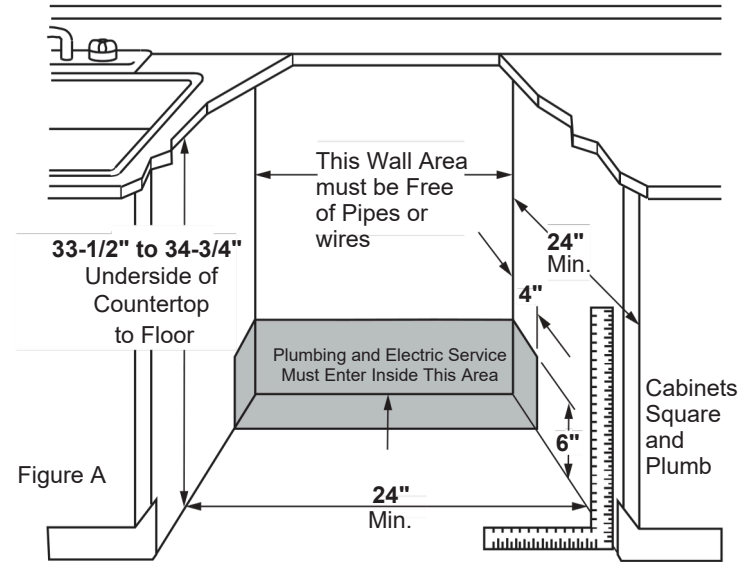
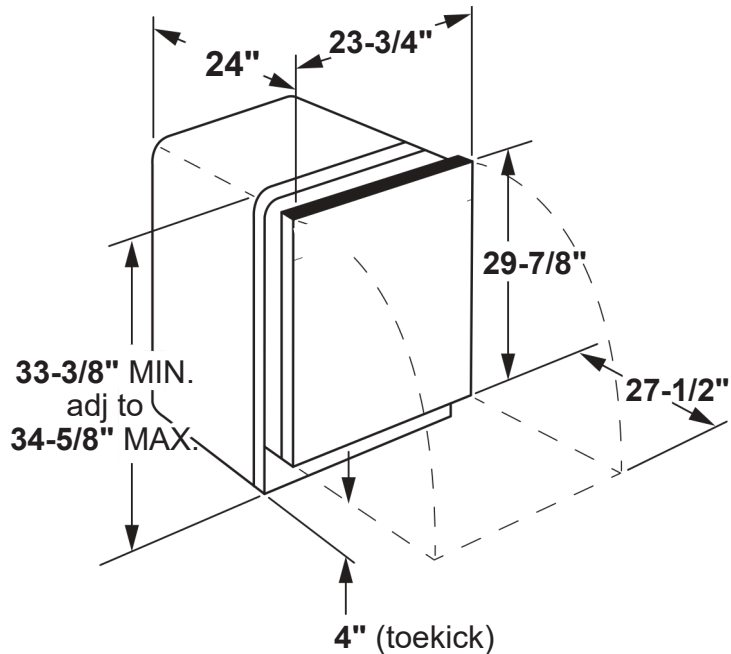
Hotpoint® Built-In Dishwasher

DIMENSIONS AND INSTALLATION INFORMATION

ELECTRICAL RATING

Voltage AC.....	120
Hertz.....	60
Total connected load amperage.....	7.1
Calrod® heater watts.....	800/500

For use on adequately wired 120-volt, 15-amp circuit having 2-wire service with a separate ground wire. This appliance must be grounded for safe operation.



NOTE: Dishwasher must not be installed more than 10 feet from sink for proper drainage. All plumbing and electrical work must be in accordance with local codes. Dishwasher includes drain hose and leveling legs.

INSTALLATION INFORMATION: Before installing, consult installation instructions packed with product for current dimensional data.

Hotpoint®

For answers to your Hotpoint product questions, visit our website at hotpoint.com or call 800.626.2000.



Specification Created 6/26

HDF310PGZ

Hotpoint® Built-In Dishwasher

FEATURES AND BENEFITS

Reliable Performance– American-made dishwasher engineered for reliable performance, durability and long-lasting dependability. Enjoy consistently clean and dry dishes with every cycle.

Simplified Installation– Designed for easy dishwasher installation, this dishwasher includes an easy-remove skid, attached drain hose, and universal mounting brackets that allow you to easily mount the dishwasher under any type of countertop.

Adjustable Height– The adjustable-height dishwasher design helps simplify installation over built-up floors or a variety of flooring material.

Heavy-Duty Plastic Interior Dishwasher– Durable, long-lasting plastic dishwasher tub with an attractive American Gray finish that resists stains.

Water Leak Sensor– Active Flood Protect has an advanced water leak sensor to help prevent overflows by detecting high water levels and automatically removing excess water for added peace of mind.

Durable Design– Built tough to handle heavy loads, this durable dishwasher features sturdy racks that support up to 30 pounds, making it easy to clean large pots and cookware.

Two-Rack Design– This two-rack dishwasher design maximizes usable space, including room in the upper rack for larger items like pots and pans, so you can fit more in a single load.

Dry Options– Flexible dishwasher drying options include heated dry for table-ready dishes or an energy-saving air dry option that adapts to your needs.

Multi-Level Wash System– The multi-level wash system delivers complete cleaning coverage throughout the dishwasher, helping ensure clean dishes on every rack.

Cycle Options– Choose from multiple dishwasher cycle options designed to handle heavy-duty loads, everyday washes, and a Time Saver option that gets the job done in just one hour.

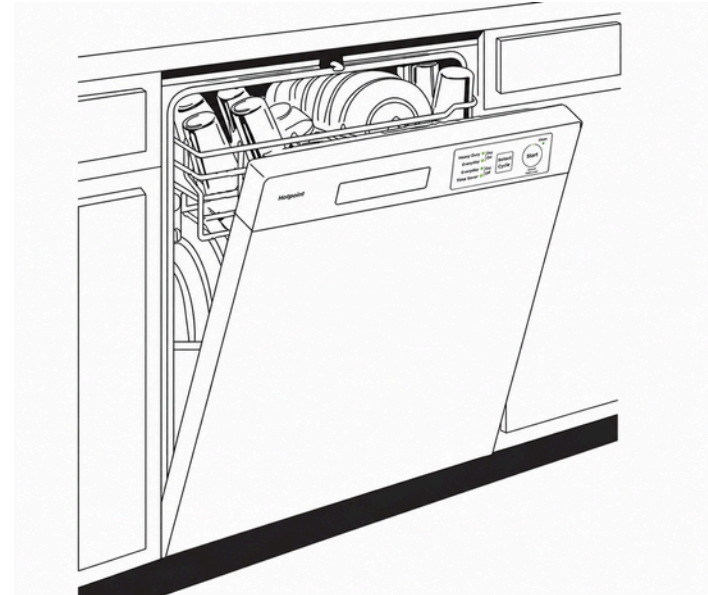
Hard Food Disposer– Our exclusive Piranha™ hard food disposer with dual filtration removes large food particles and ensures consistently clean dishes.

60 dBA Dishwasher– At 60 dba, this quiet dishwasher provides a powerful clean without unwanted noise or disturbances. A status light on the door lets you know when it's running.

Flush Installation– Designed for flush dishwasher installation to align seamlessly with cabinets to ensure it blends into the kitchen without sacrificing space for dishes.

Large Capacity– This large capacity dishwasher has enough space for 12 place settings and large dishware, making cleanup easy after every meal.

Silverware Basket– A removable silverware basket makes it easy to load and unload utensils.



Model HDF310PGZWW – White on white

Model HDF310PGZBB – Black on black