



GUARD+®

48" x 34" Vikrell® shower base, center drain
72321100



Features

- Full-length water-containment guard and 1" (25 mm) weep channels redirect water into the base, providing four-sided water containment
- 3-1/8" (79 mm) threshold
- Durable high-gloss finish with molded-in textured floor
- Suitable for tile-down applications
- Compatible with select STERLING Curve, Medley®, Traverse®, and STORE+® shower walls

Material

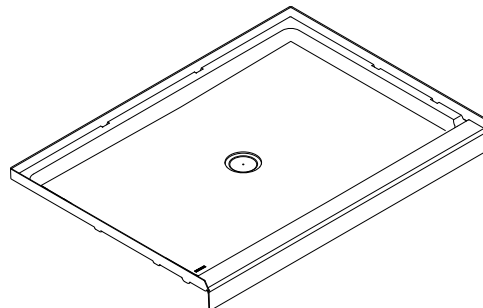
- Made from solid Vikrell® material for strength, durability, and lasting beauty

Installation

- Center drain

Recommended Products/Accessories

- 5475-48 Frameless sliding shower door
- 5970-48 Framed sliding shower door
- 5975-48 Framed sliding shower door
- 5976-48 Framed sliding shower door
- 547808-48 Frameless sliding shower door
- 581075-48 Frameless sliding shower door
- 80001012 12" straight grab bar
- 80001018 18" straight grab bar
- 80001024 24" straight grab bar
- 72186104 Freestanding shower seat
- K-23726 Drain treatment



Codes/Standards

CSA B45.5/IAPMO Z124
HUD, UM Bulletin 73

STERLING® Vikrell® or Acrylic Baths and Shower Bases Ten-Year Limited Warranty

See website for detailed warranty information.

Available Colors/Finishes

Color tiles intended for reference only.

Color Code Description

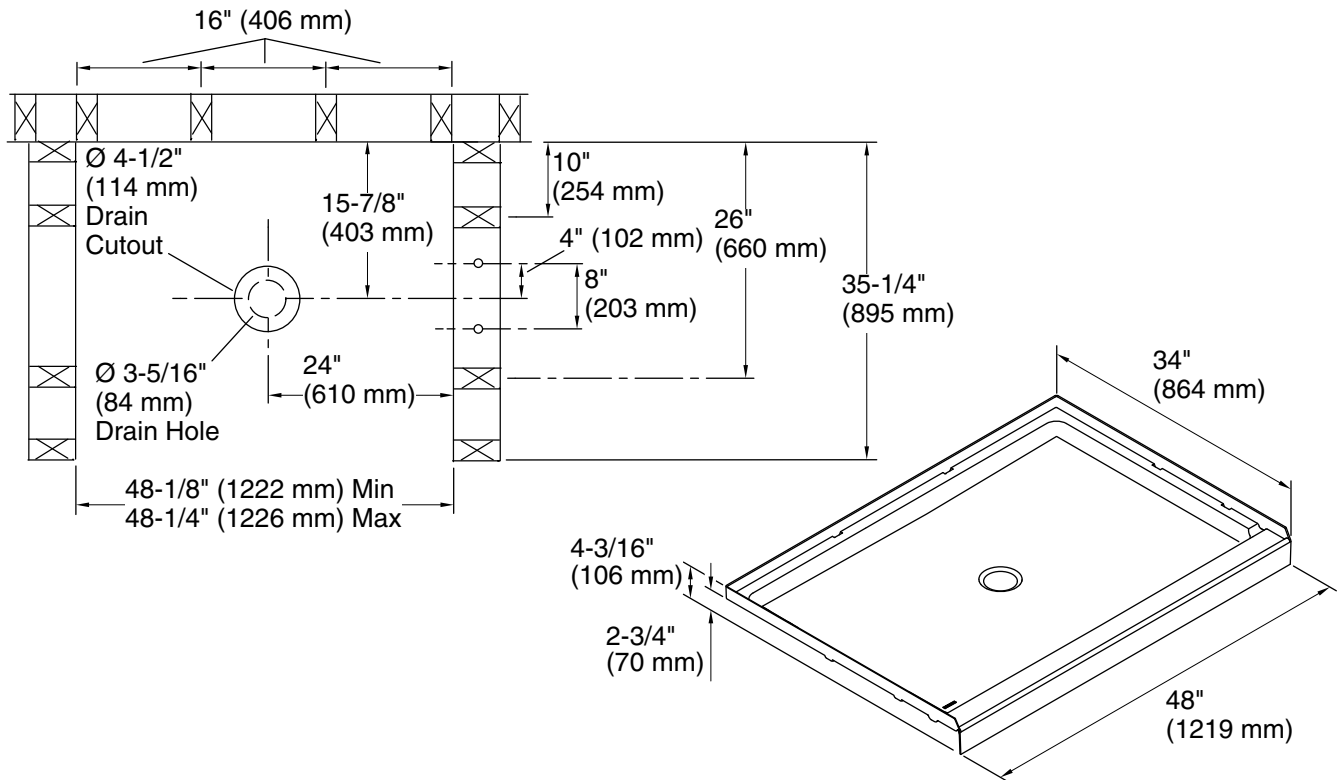
	0	White
--	---	-------

1-800-STERLING (1-800-783-7546)

Kohler Co. reserves the right to make revisions without notice to product specifications.

For the most current Specification Sheet, go to www.sterlingplumbing.com.

3-21-2026 20:03 - US/CA



Technical Information

All product dimensions are nominal.

Drain location:	Center
Weight:	30 lbs (13.6 kg)
Minimum flat for door:	2-1/2" (64 mm)
Maximum door width:	47" (1194 mm)

Notes

Install this product according to the installation instructions.

Studs should be positioned roughly as shown. Double studding is recommended for pivot shower door installations.