



# Assembly & Installation Instructions

**CAUTION:** Read instructions carefully and turn electricity off at main circuit breaker panel before beginning installation.

## 3480, 3481, 3482, 3561, 3563, 3565

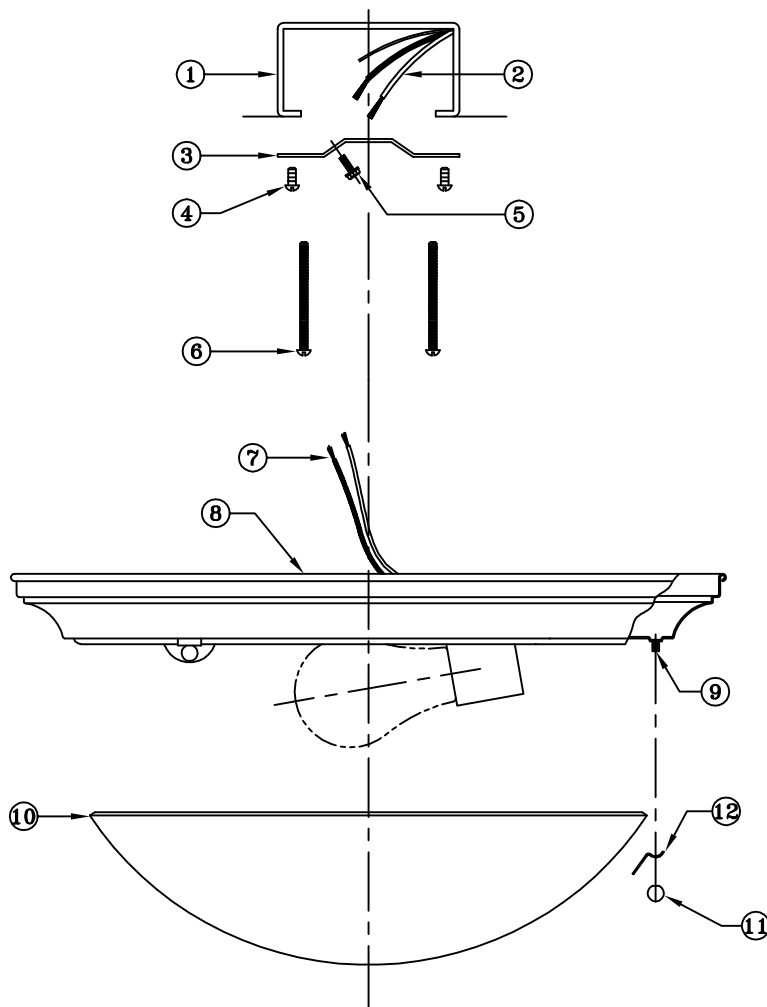
\*\*\*\*\*

**WARNING** - IF ANY SPECIAL CONTROL DEVICES ARE USED WITH THIS FIXTURE, FOLLOW THE INSTRUCTIONS CAREFULLY TO ASSURE FULL COMPLIANCE WITH N.E.C. REQUIREMENTS. IF THERE ARE ANY QUESTIONS, CONTACT A QUALIFIED ELECTRICAL CONTRACTOR.

**WARNING** - This product contains chemicals known to the State of California to cause cancer, birth defects and /or other reproductive harm. Thoroughly wash hands after installing, handling, cleaning, or otherwise touching this product.

**CAUTION** - ALL GLASS IS FRAGILE, USE CARE WHEN HANDLING GLASS SHADE AND LAMPS.

\*\*\*\*\*



- 1.- Fasten Mounting Strap (3) to Outlet Box (1) with Mounting Screws (4) from Outlet Box (1). Thread Machine Screws (6) and Green Ground Screw (5) into Mounting Strap (3).
- 2.- Connect Fixture Wires (7) to Supply Wires (2) as shown on the wiring diagram.
- 3.- Slip Ceiling Pan (8) over Machine Screws (6). Twist screws into keyslots and tighten screws against Ceiling Pan (8).
- 4.- Install lamps (NOT FURNISHED).
- 5.- Slip two Clips (12) over Studs (9) on Ceiling Pan (8) and secure in place with two Ball Nuts (11) (FINGER TIGHTEN ONLY). Raise Glass Shade (10) to Ceiling Pan (8) and slip under Clips (12). Slip remaining Clip (12) over Stud (9) and secure in place with Ball Nut (11) (FINGER TIGHTEN ONLY).

**NOTE:** VARIATION IN THE GLASS CONTOUR OR DIAMETER MAY REQUIRE THAT CLIPS (12) BE FIRMLY PRESSED AGAINST THE GLASS (10) FOR PROPER ALIGNMENT.

REMOVE PROTECTIVE FILM FROM CLIPS BEFORE INSTALLING.

