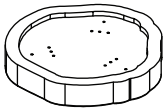
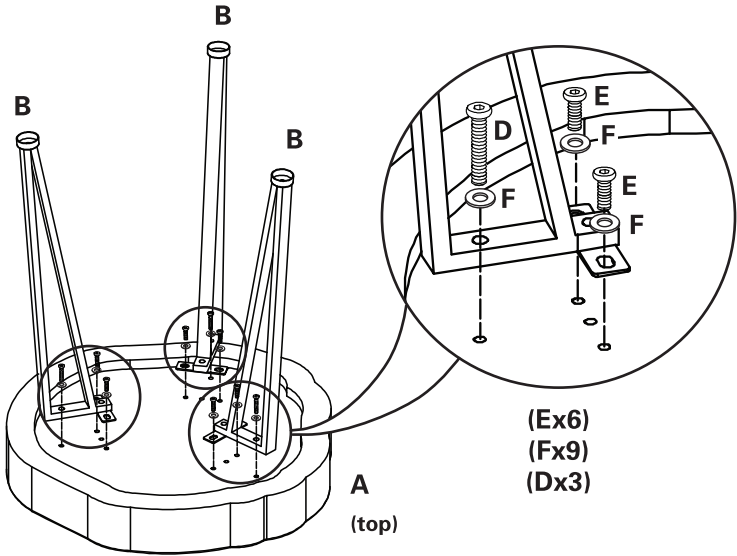
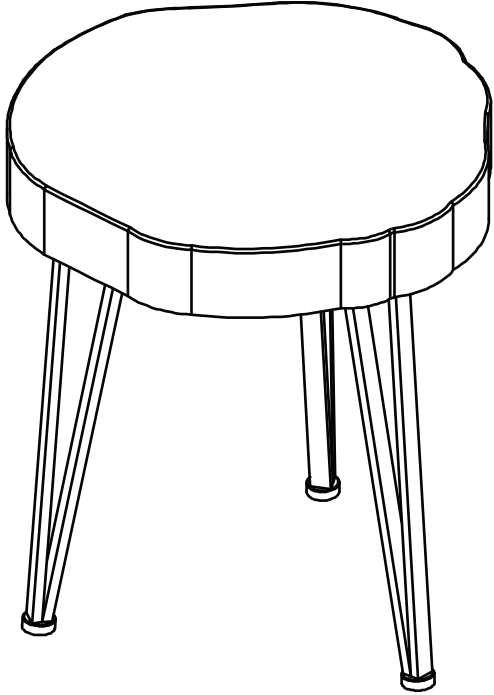


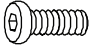
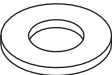



MEADOWOOD END TABLE

ASSEMBLY INSTRUCTIONS

FIRSTIME & CO.[®]
— AMERICAN DESIGNED —

PARTS	STEP 1 Attach bracket (C) to leg (B).	FULLY ASSEMBLED
A  1 PC	STEP 2 Attach legs (B) to bottom side of tabletop (A).  (Ex6) (Fx9) (Dx3)	
B  3 PC		
D  3 PC	E  9 PC	
F  12 PC	G  1 PC	