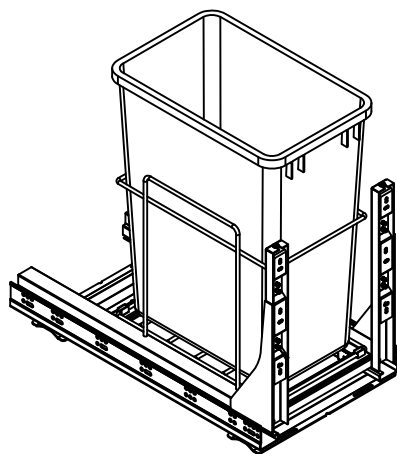
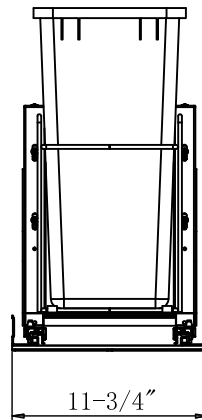
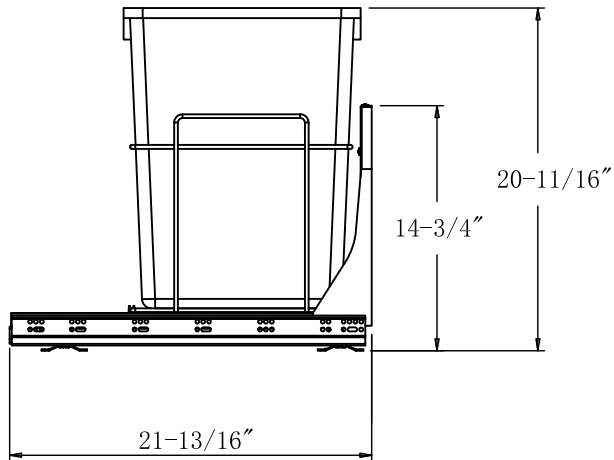


THE INFORMATION CONTAINED IN THIS DRAWING IS THE SOLE PROPERTY OF HARDWARE RESOURCES INC. ANY REPRODUCTION IN PART OR AS A WHOLE WITHOUT THE WRITTEN PERMISSION OF HARDWARE RESOURCES INC. IS PROHIBITED.



UNLESS OTHERWISE SPECIFIED DIM ARE IN MILLIMETERS (mm)		THIRD ANGLE PROJECTION		<i>hardware resources</i>	
GENERAL TOLERANCES		MATERIAL	FINISH	TITLE	
0.00 - 14.99	±0.10	PLASTIC +STEEL	GREY+PC	SINGLE 35QT TRASHCAN PULLOUT	
15.00 - 39.99	±0.20			DRAWN BY	DATE
40.00 - 74.99	±0.30	PETER WEN	20210111	WC-EMBM-S35G	
75.00 - 99.99	±0.45	DESIGNED BY	DATE	REV	revision
100.00 - 199.99	±0.70	APPROVED BY		SIZE	RELEASE LEVEL
200.00 - 299.99	±1.00			A3	SCALE
300.00 -	±1.10				
ANGLE	±1.0°				
				SHEET	1 OF 1