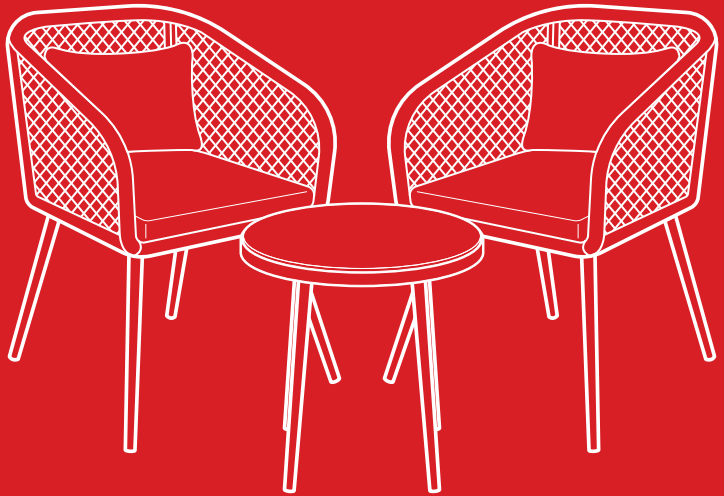




bestchoiceproducts



# INSTRUCTION MANUAL

---

3pc Diamond Weave  
Wicker Bistro Set



bestchoiceproducts

---

As shoppers, we're always trying to find the perfect balance between quality & value. At BCP, we believe we've achieved that. Our diverse catalog of everyday essentials is tailored especially to our customers & guaranteed to hit that sweet spot of high quality & low price.

Always.

---

## ! NOTICE

Please retain these instructions for future reference.

- Please do not exceed the weight limitations of this item.
- Do not stand on or use any part of this item as a step ladder.
- Do not lean backwards when sitting in chair.
- Firmly secure all bolts, screws and knobs before use.
- Reconfirm that all bolts, screws, and knobs are secure every 90 days.
- Fasten screws loosely during assembly. Do not firmly tighten screws until item is fully assembled.
- Do not use or store this item in the proximity of open flame or flammable/combustible chemicals.
- Be aware that some parts are heavy and have sharp edges.
- If any parts are missing, broken, damaged, or worn, stop using this product until repairs are made and/or factory replacement parts are installed.
- Do not use this item in a way inconsistent with the manufacturer's instructions as this could void the product warranty.

## TOOLS REQUIRED



ALLEN WRENCH  
(PROVIDED)



WRENCH  
(PROVIDED)



50 LBS  
TABLE  
CAPACITY



250 LBS  
PER CHAIR  
CAPACITY



1 PERSON  
ASSEMBLY



UP TO 45 MIN.  
ASSEMBLY

## HARDWARE

1

M6 x 15mm  
BOLT



32 PCS

2

M6 x 40mm  
BOLT



18 PCS

3

Φ13 x 6.5mm  
WASHER



58 PCS

4

M6 NUT



8 PCS

5

BOLT HEAD  
COVER



8 PCS

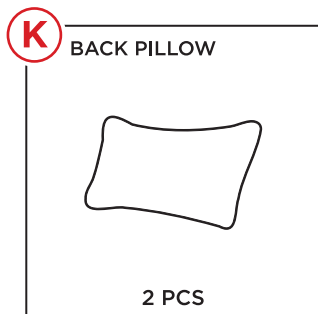
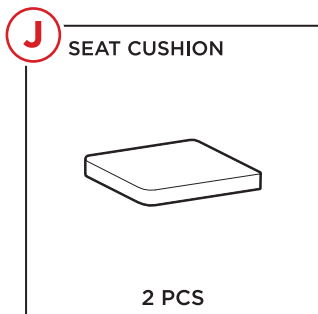
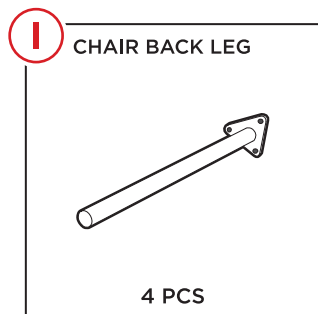
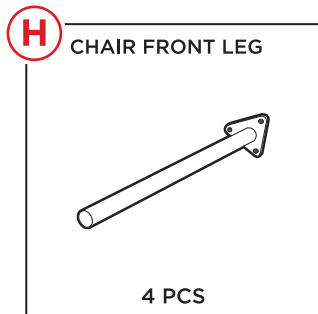
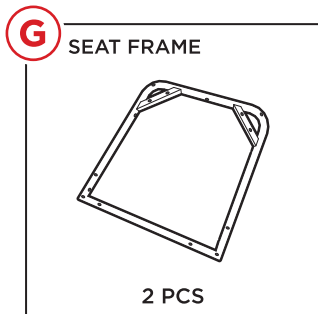
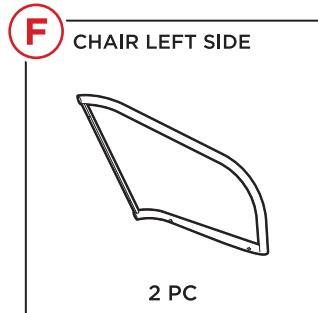
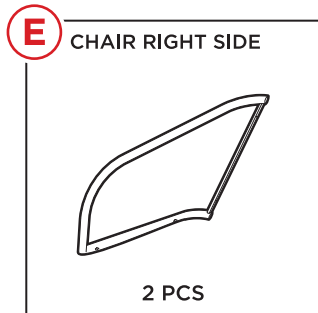
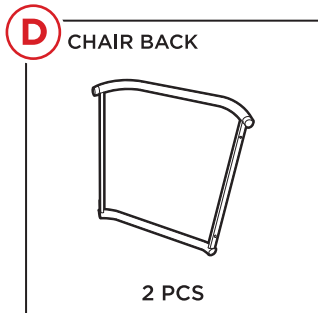
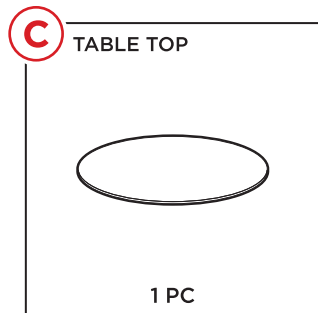
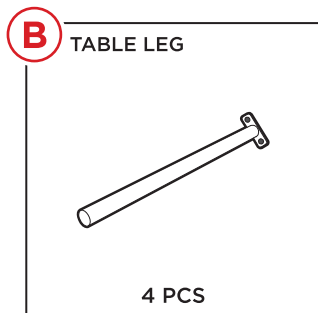
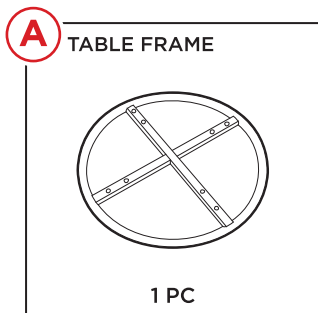
6

NUT CAP



8 PCS

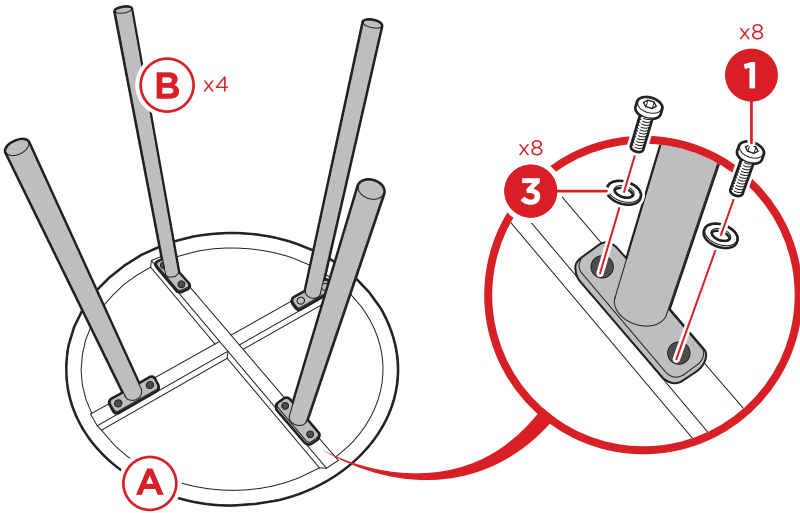
# PARTS



## PRODUCT ASSEMBLY - TABLE

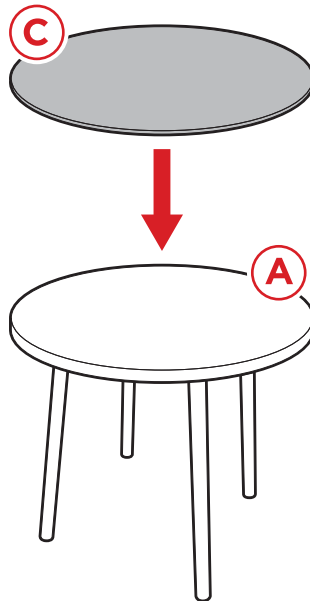
1

Attach four part B table legs to the part A table frame with eight part 3 washers and eight part 1 bolts.



2

Flip the table onto its legs and place the part C table top onto the part A frame.



## PRODUCT ASSEMBLY - CHAIR

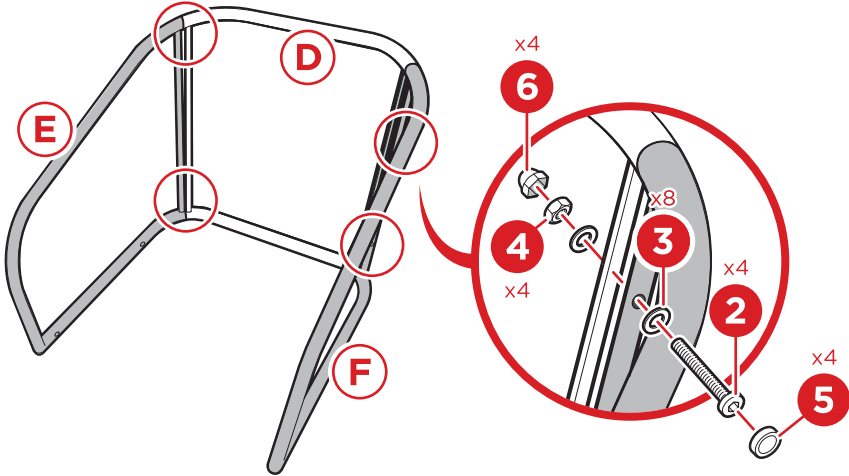
1

Attach one part E right side to one part D back rest with two part 2 bolts, four part 3 washers, and two part 4 nuts.

Then place two part 5 bolt head cover and two part 6 cap nut on the part 2 bolts.

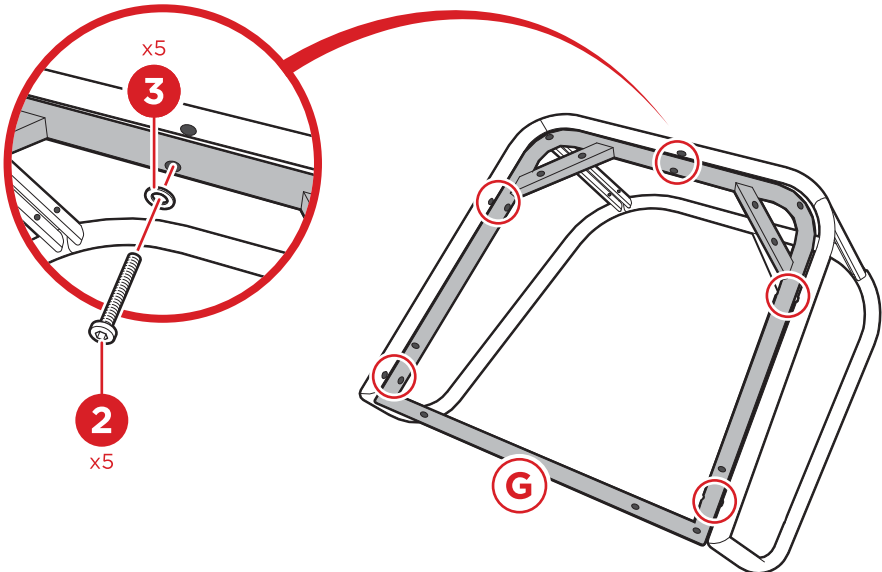
Attach one part F left side to the part D back rest with two part 2 bolts, four part 3 washers, and two part 4 nuts.

Then place two part 5 bolt head cover and two part 6 cap nut on the part 2 bolts.



2

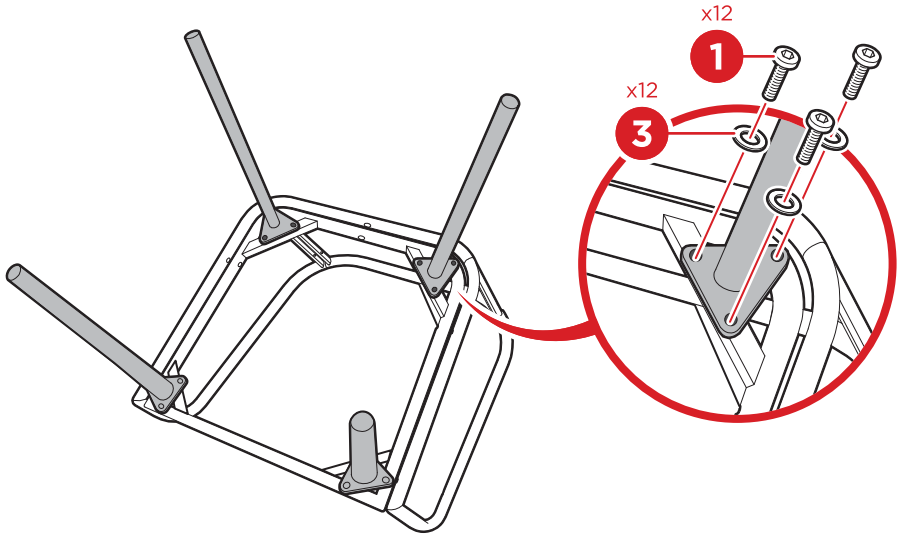
Flip the assembly and attach the part G seat frame to back and side assembly with five part 2 bolts and five part 3 washers.



## PRODUCT ASSEMBLY - CHAIR

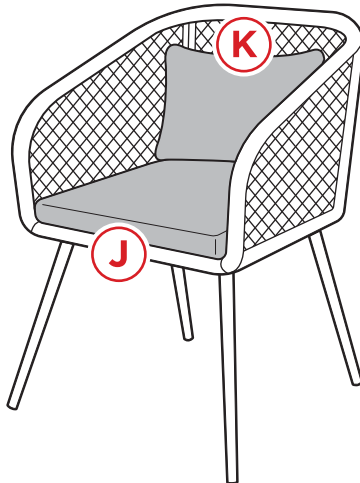
**3**

Attach two part H chair front legs with six part 1 bolts and six part 3 washers.  
Attach two part I chair back legs with six part 1 bolts and six part 3 washers.



**4**

Flip the chair upright then place the part J seat cushion and part K back pillow to complete the chair assembly.  
Repeat steps 1-4 to assemble a second chair.





# HELP CENTER



Question about your product? We're here to help. Visit us at:

[help.bestchoiceproducts.com](http://help.bestchoiceproducts.com)



Chat Support



Product Inquiry



Orders FAQ



Product Assembly



Returns & Refunds

## PRODUCT WARRANTY INFORMATION

All items can be returned for any reason within 60 days of the receipt and will receive a full refund as long as the item is returned in its original product packaging and all accessories from its original shipment are included. All returned items will receive a full refund back to the original payment method. All returned items will not be charged a re-stocking fee.

All returned items require an RA (Return Authorization) number, which can only be provided by a Best Choice Products Customer Service Representative when the return request is submitted. Items received without an RA may not be accepted or may increase your return processing time. Once an item has been received by Best Choice Products, refunds or replacements will be processed within 5 business days.

All returns must be shipped back to the Best Choice Products Return Center at the customer's expense. If the reason for return is a result of an error by Best Choice Products then Best Choice Products will provide a pre-paid shipping label via email. Boxes for return shipping will not be provided by Best Choice Products, and is the customer's responsibility to either use the original shipping boxes or purchase new boxes.

Pictures may be required for some returns to ensure an item is not damaged prior to its return. Items returned are not considered undamaged until they are received by Best Choice Products and verified as such. All damages to items are the customer's responsibility until the item has been received by and acknowledge by Best Choice Products as undamaged.



## WARNING

Manufacturer and seller expressly disclaim any and all liability for personal injury, property damage or loss, whether direct, indirect, or incidental, resulting from the incorrect attachment, improper use, inadequate maintenance, unapproved modification, or neglect of this product.