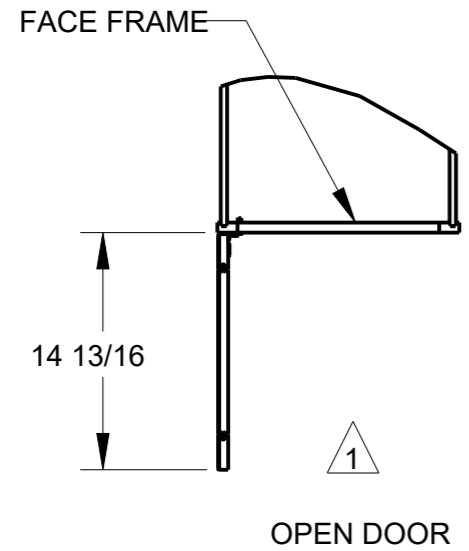
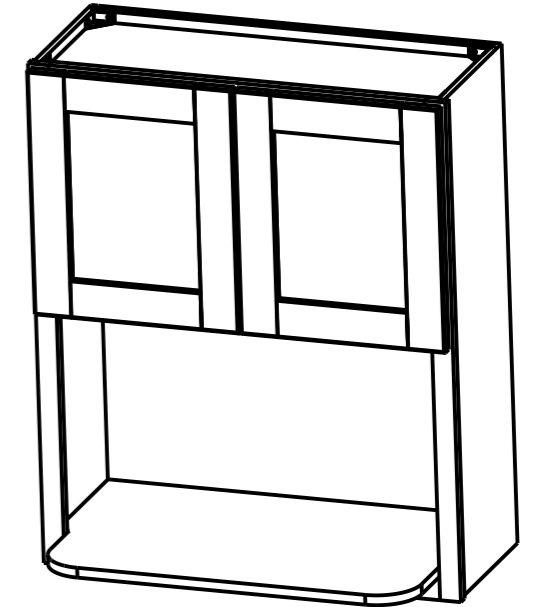
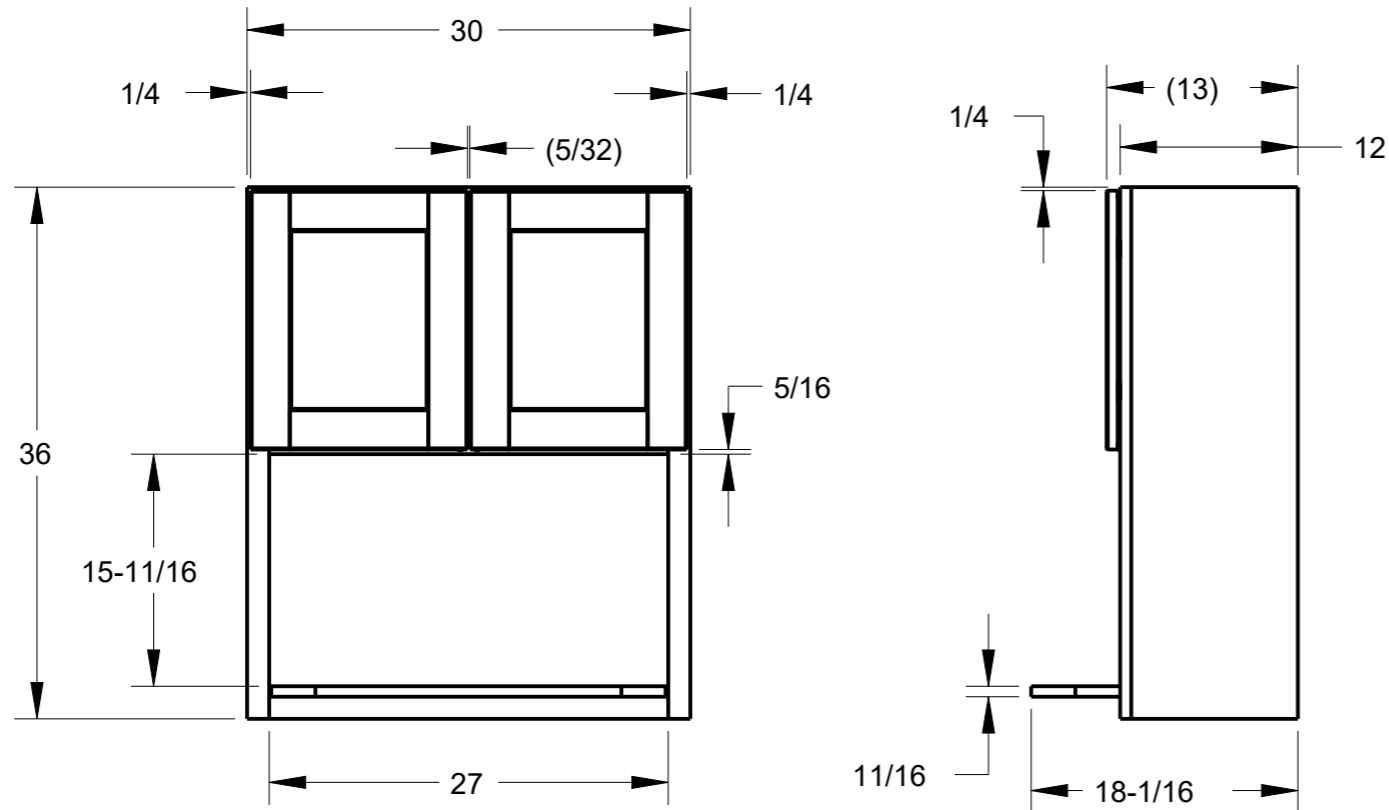


8 7 6 5 4 3 2 1

NOTES:

1 OPEN DOOR VIEW INCLUDES CLEARANCE BETWEEN FACE FRAME AND DOOR.

DOOR SIZE
ROUNDED TO THE NEAREST 1/32
14 11/16" X 17 17/32"



HARDWARE RESOURCES RESERVES THE RIGHT TO CHANGE SPECIFICATIONS WITHOUT NOTICE. IN CASE OF A DISCREPANCY, ACTUAL PART GEOMETRY SUPERSEDES THIS DOCUMENT.

THE INFORMATION CONTAINED WITHIN THIS DRAWING IS THE SOLE PROPERTY OF HARDWARE RESOURCES INC. ANY REPRODUCTION IN PART OR WHOLE WITHOUT WRITTEN PERMISSION OF HARDWARE RESOURCES INC. IS PROHIBITED.

DOCUMENT STATUS Released	
UNLESS OTHERWISE SPECIFIED DIMENSIONS ARE IN INCHES (IN)	
MATERIAL N/A	FINISH N/A
THIRD ANGLE PROJECTION 	DATE 23MAR2020

PRODUCT DESCRIPTION		
MWC3036 FULL OVERLAY		
DRAWING NUMBER		REV
MWC3036 FULL OVERLAY		D
SIZE	SCALE	SHEET
A3	0.077	1 / 1

8 7 6 5 4 3 2 1