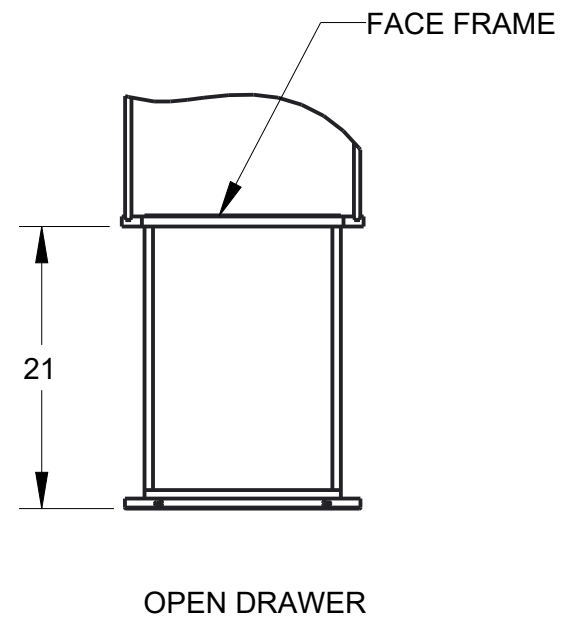
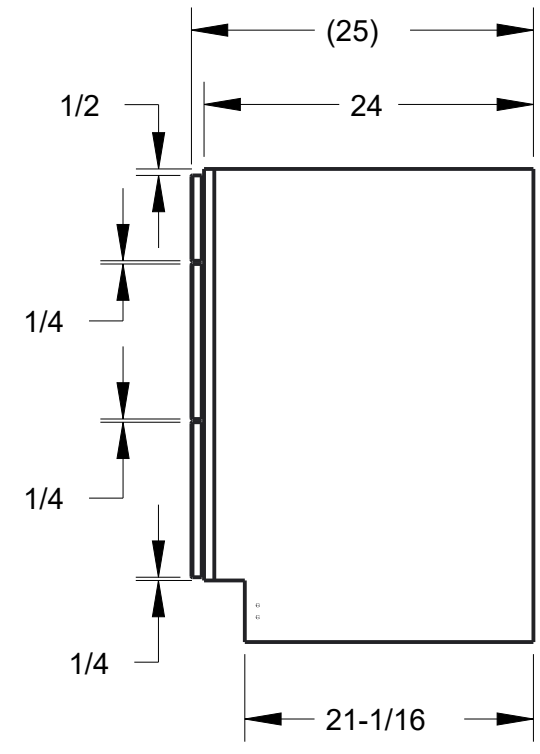
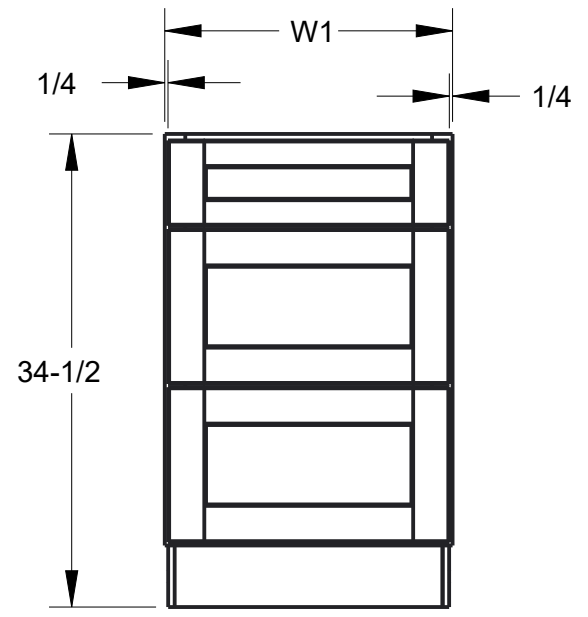


PRODUCT	W1	TOP DRAWER SIZE	2 DRAWER SIZE
		ROUNDED TO THE NEAREST 1/32	
DB24-3	24"	23 17/32" X 6 7/32"	23 17/32" X 11 5/16"
DB30-3	30"	29 17/32" X 6 7/32"	29 17/32" X 11 5/16"
DB33-3	33"	32 17/32" X 6 7/32"	32 17/32" X 11 5/16"
DB36-3	36"	35 17/32" X 6 7/32"	35 17/32" X 11 5/16"



OPEN DRAWER

PRODUCT SHOWN B30

DOCUMENT STATUS **Released**

THIRD ANGLE PROJECTION 		hardware resources		
MATERIAL N/A	FINISH N/A			
DRAWN BY ANDY BROWN		DATE 27MAR2020		DESCRIPTION DB24-DB30-DB30-DB36-3 DRAWER, FULL OVERLAY
DESIGNED BY NORTHPOINT		DATE		
APPROVED BY GREG DAVIS		DATE 29JUL2020		DRAWING NUMBER DB24-DB30DB33DB36-3_DRAWER_FULL
		SIZE A3	SCALE 0.071	REV B
				SHEET 1 / 1

HARDWARE RESOURCES RESERVES THE RIGHT TO CHANGE SPECIFICATIONS WITHOUT NOTICE. IN CASE OF A DISCREPANCY, ACTUAL PART GEOMETRY SUPERSEDES THIS DOCUMENT.

THE INFORMATION CONTAINED WITHIN THIS DRAWING IS THE SOLE PROPERTY OF HARDWARE RESOURCES INC. ANY REPRODUCTION IN PART OR WHOLE WITHOUT WRITTEN PERMISSION OF HARDWARE RESOURCES INC. IS PROHIBITED.