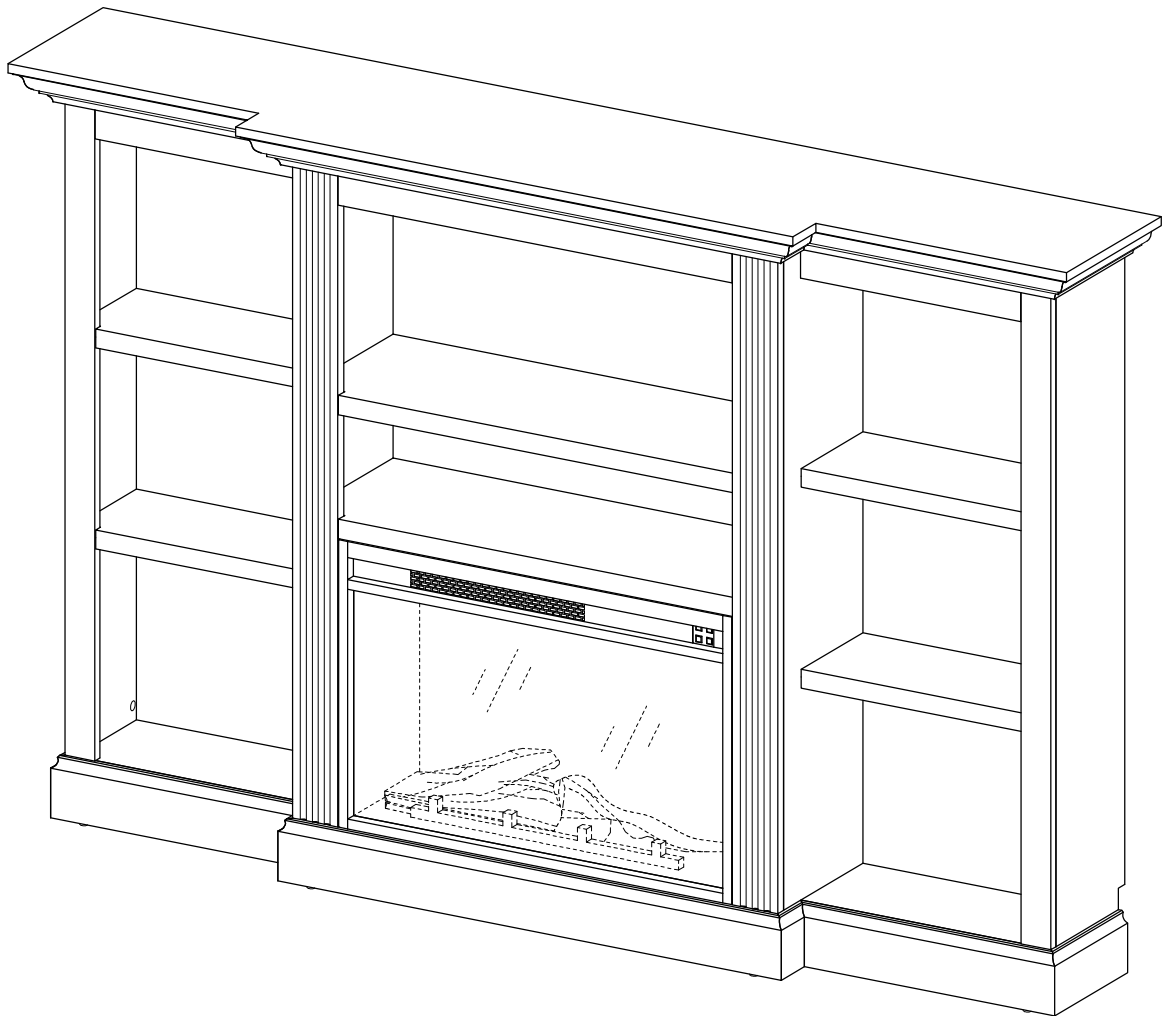


WALKER EDISON
TM

Cullen 70" Electric Fireplace Mantel

SKU# WECUL22704



For Residential Use Only

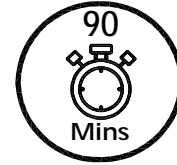
Please visit our website for the most current instructions, assembly tips, report damage, or request parts. www.walkerredison.com



Time to get started

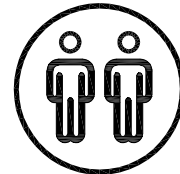
Set up a clean and soft workplace to get started and avoid damage during the assembly. It also helps to double-check that you've got all the pieces and parts before diving in to assembly.

Estimated time for assembly



People recommended for assembly

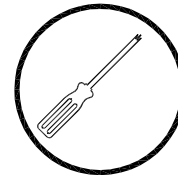
Make it a team effort! Grab a friend for quicker, easier assembly.



2 People Build

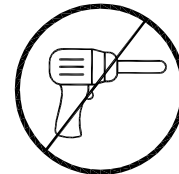
Tools Needed

Grab a Phillips head screwdriver to conquer this assembly



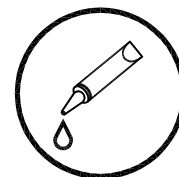
Use power tools with caution

You can cause cracking or damage to the material and easily strip the hardware. If you choose to use a power tool, your product will no longer be covered under Walker Edison's warranty.



Glue is provided to secure wood dowels in place

When inserting dowels, locate the appropriate hole, place a small amount of glue in the hole, and then insert the dowel. Wipe away excess glue immediately.

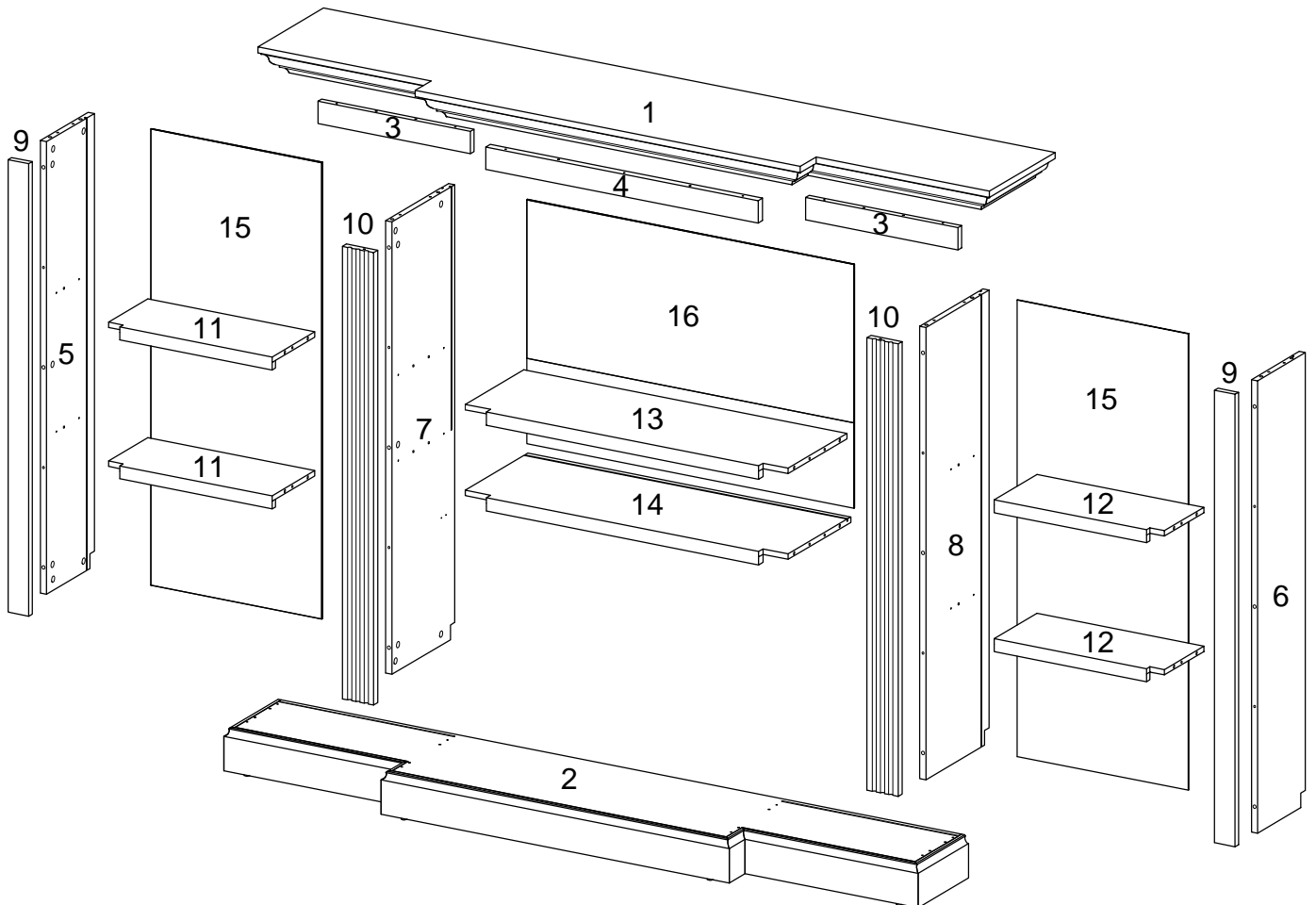


Cullen


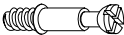

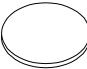
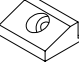
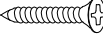
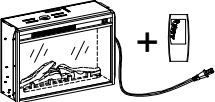
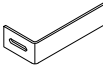
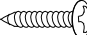

Scan to get assembly tips and help!

WE Parts List


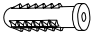
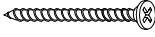

Part Number	Description	Quantity
1	Top frame	1
2	Bottom frame	1
3	Top Side Rail	2
4	Top Middle Rail	1
5	Left Panel	1
6	Right Panel	1
7	Left Divider Panel	1
8	Right Divider Panel	1
9	Side Rail	2
10	Middle Rail	2
11	Left Shelf	2
12	Right Shelf	2
13	Upper Middle Shelf	1
14	Lower Middle Shelf	1
15	Side Back Panel	2
16	Middle Back Panel	1



WE Hardware List

Part	Size	Name	Quantity
A	 6x30mm	Wooden Dowel	50
B	 6x32mm	Cam Bolt	52
C	 15x11mm	Cam Lock	28
D	 15x9mm	Cam Lock	24
E	 30mm	Sticker	52
F		Plastic Wedge	28
G	 3x17mm	Screw	28
H	 2622-L-V1	Fireplace Insert with Remote Control (without Batteries)	1
J		L Shape Bracket	2
K	 4x12mm	Screw	6
L	 4x25mm	Screw	2

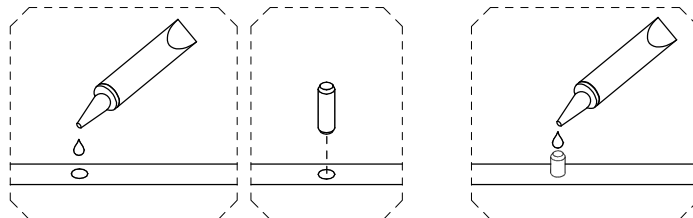
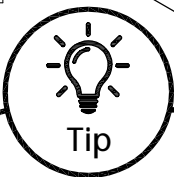
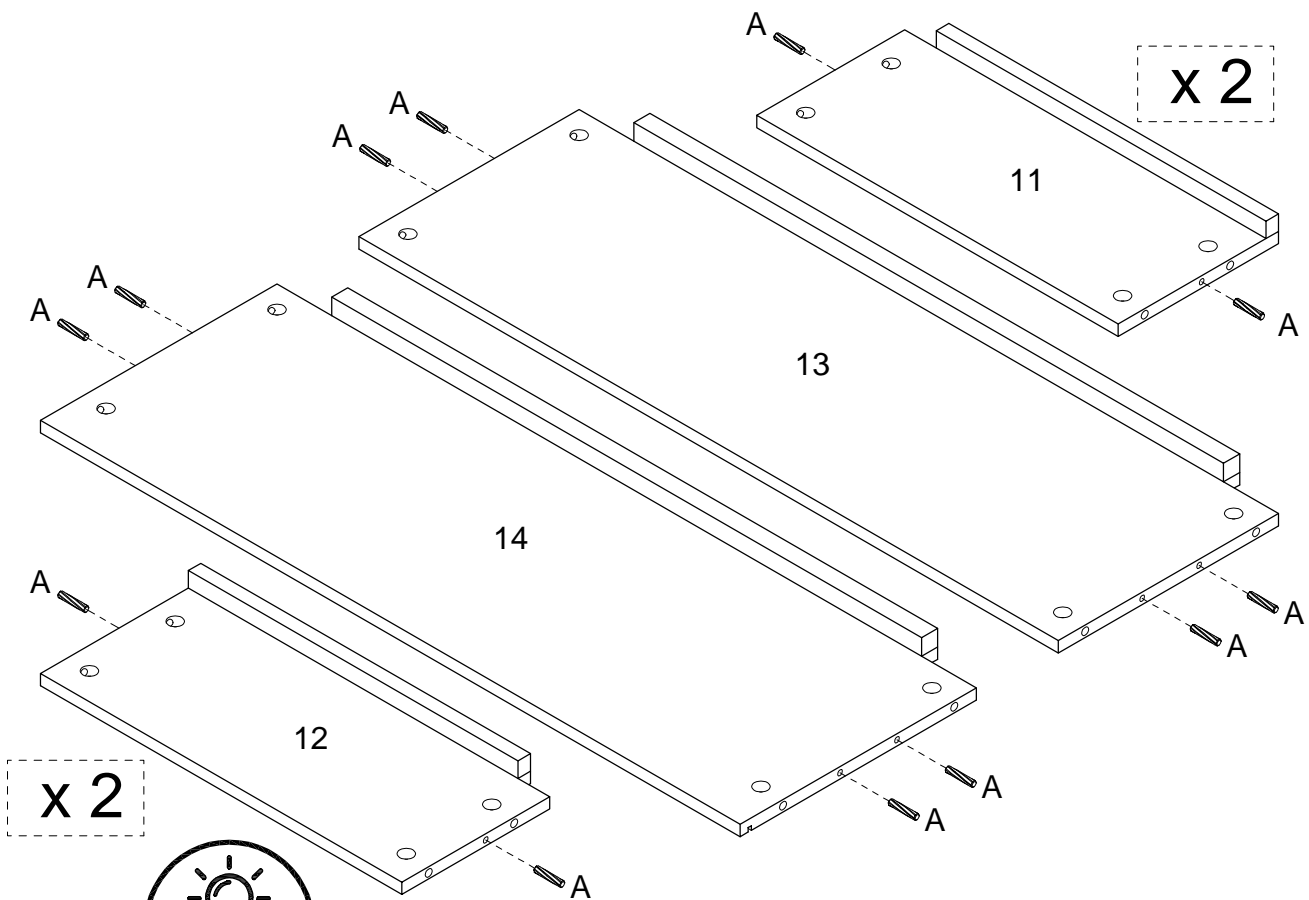
WE Hardware List

Part	Size	Name	Quantity
M 		Plastic strap	2
N 		Wall Anchor	2
P 	4x50mm	Screw	7
Q 		Glue Tube	2

*The hardware quantities listed above are required for proper assembly.
Extra hardware pieces may be included.*

Step 1

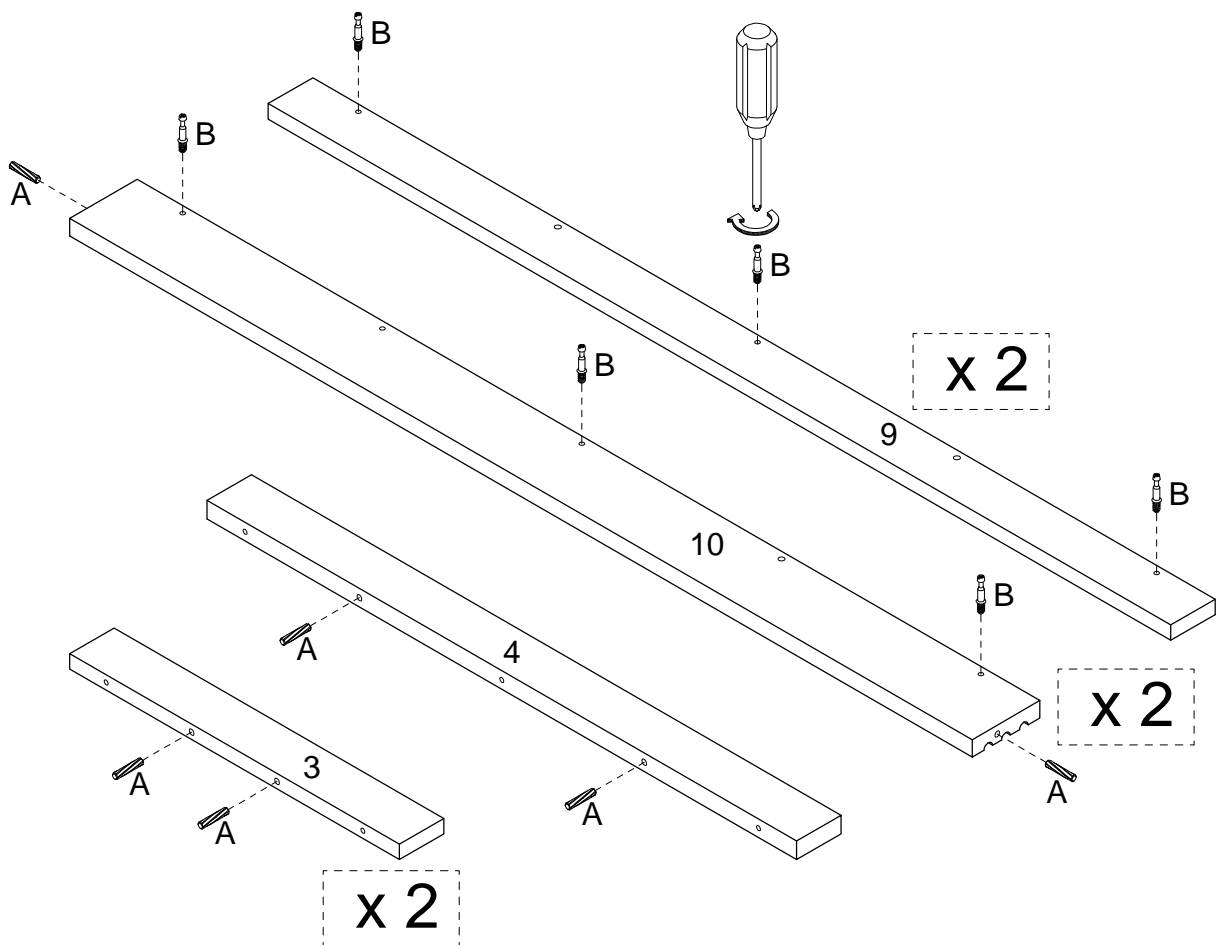
Let's get started! Insert Dowels (A) into the Right Shelf (12), Lower Middle Shelf (14), Upper Middle Shelf (13) and Left Shelf (11).



- 1: The provided glue is to secure wood dowels in place. When first inserting dowels, locate the appropriate hole for the dowel, place a small amount of glue in the hole and insert the dowel. Wipe away excess glue immediately.
- 2: In future assembly steps when dowels are necessary to attach assembly parts together, place a small amount of glue on the end of the dowel before attaching parts together. Wipe away excess glue immediately.

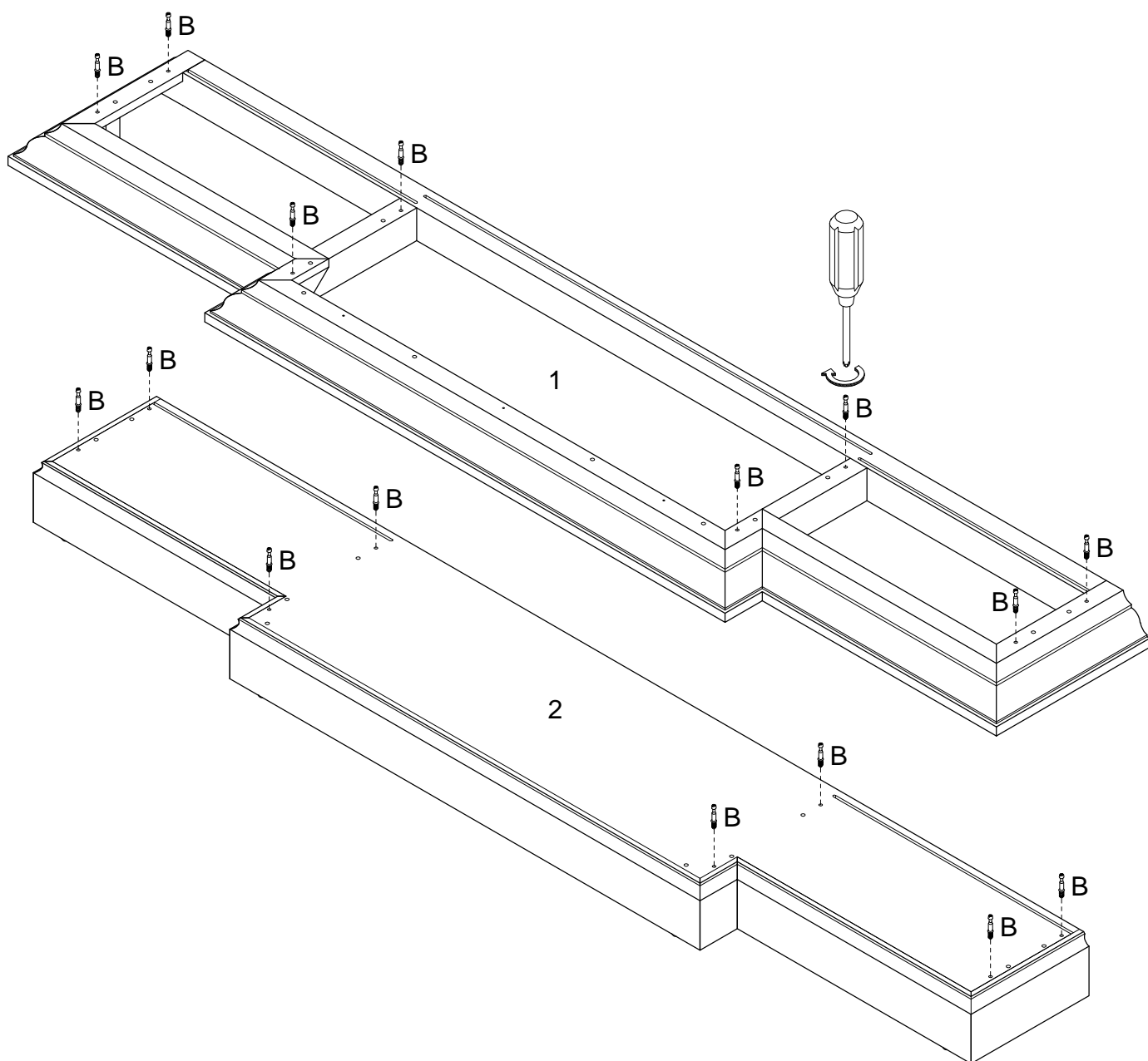
Step 2

Insert Dowels (A) into Top Side Rail (3), Top Middle Rail (4), Middle Rail (10). Using a screwdriver, screw Cam Bolts (B) into Middle Rail (10) and Side Rail (9).



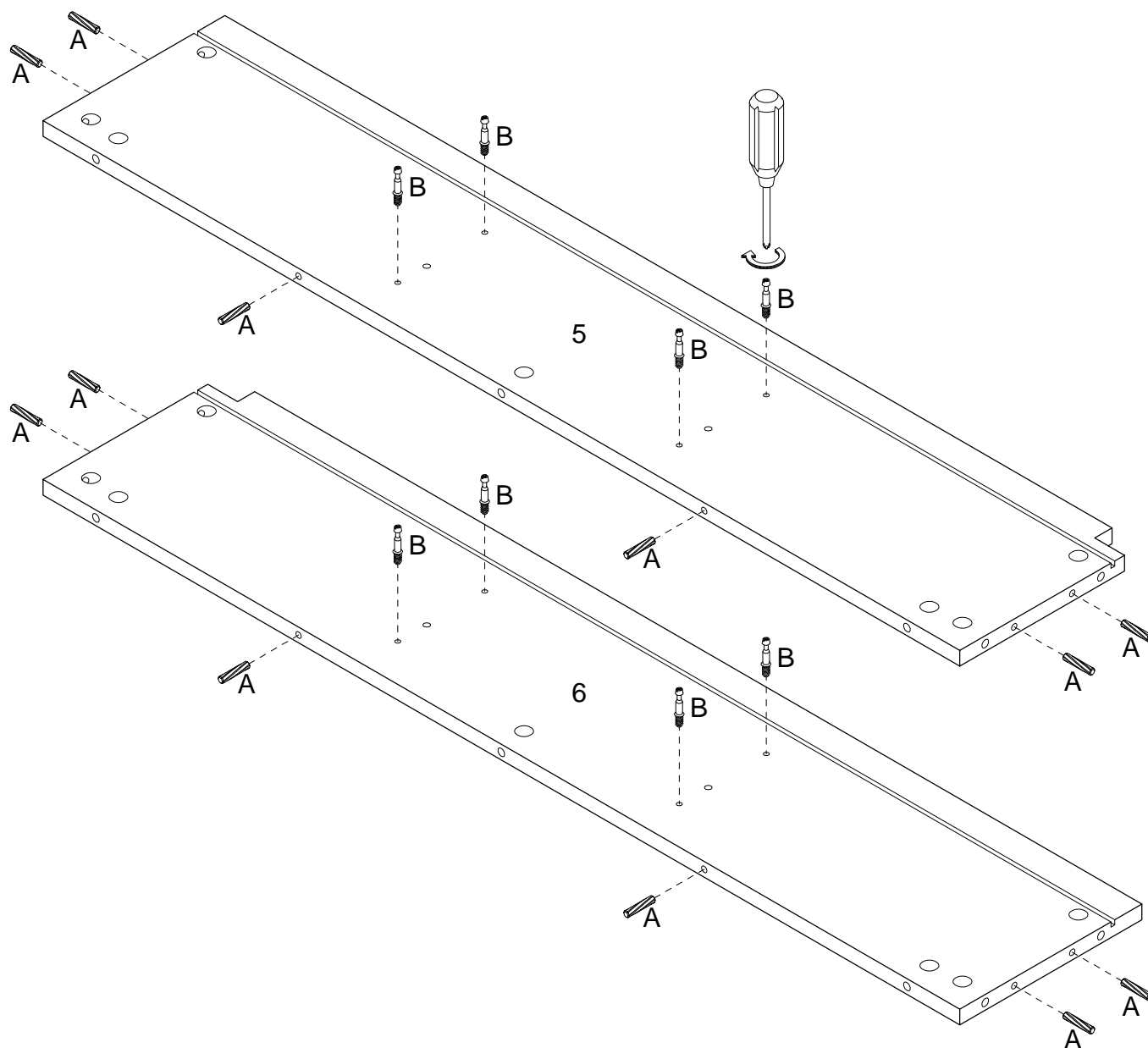
Step 3

Using a screwdriver, screw Cam Bolts (B) into Top Frame (1) and Bottom Frame (2).



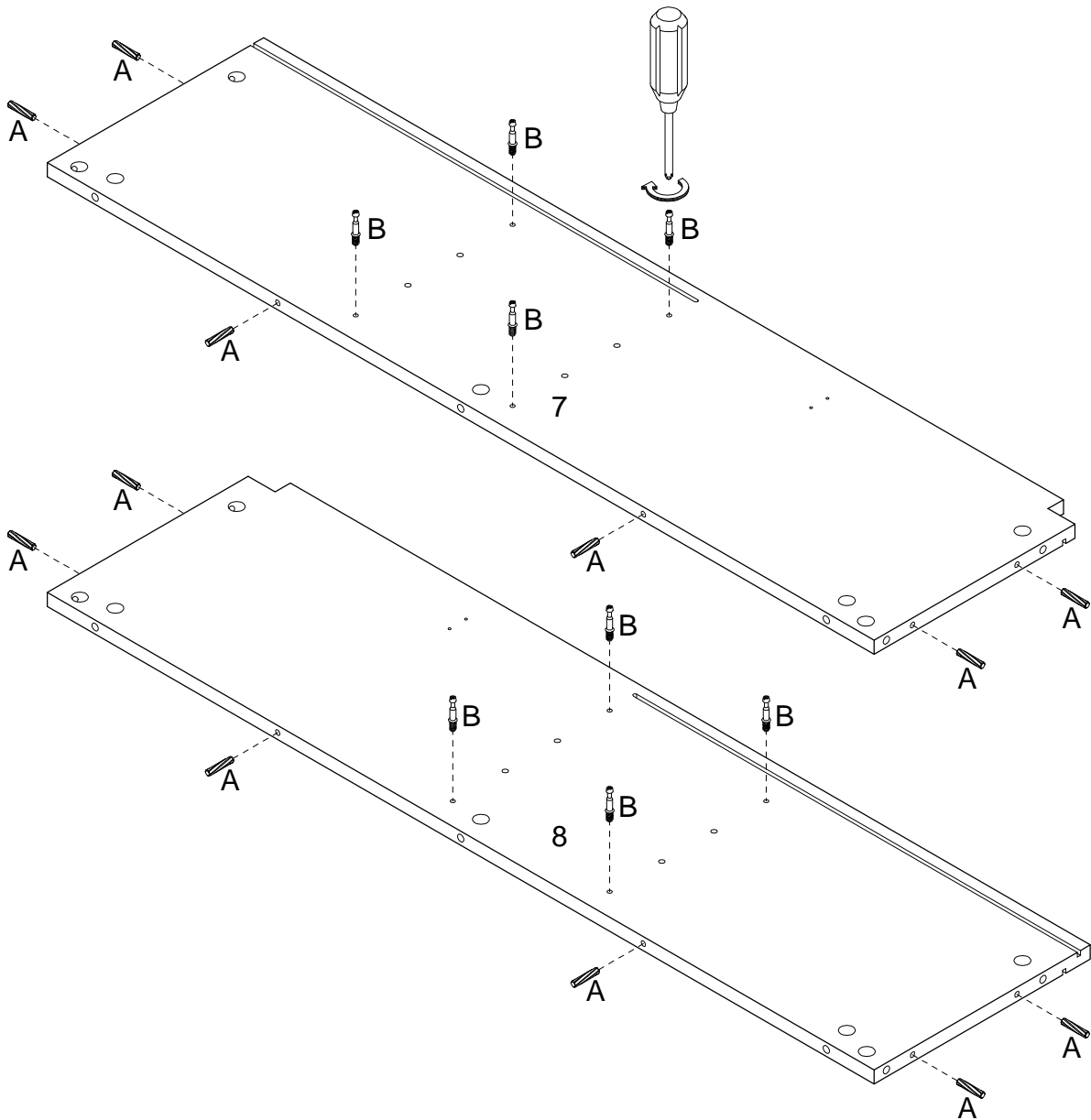
Step 4

Insert Dowels (A) into Left Panel (5) and Right Panel (6). Using a screwdriver, screw Cam Bolts (B) into Left Panel (5) and Right Panel (6).



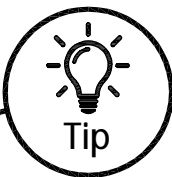
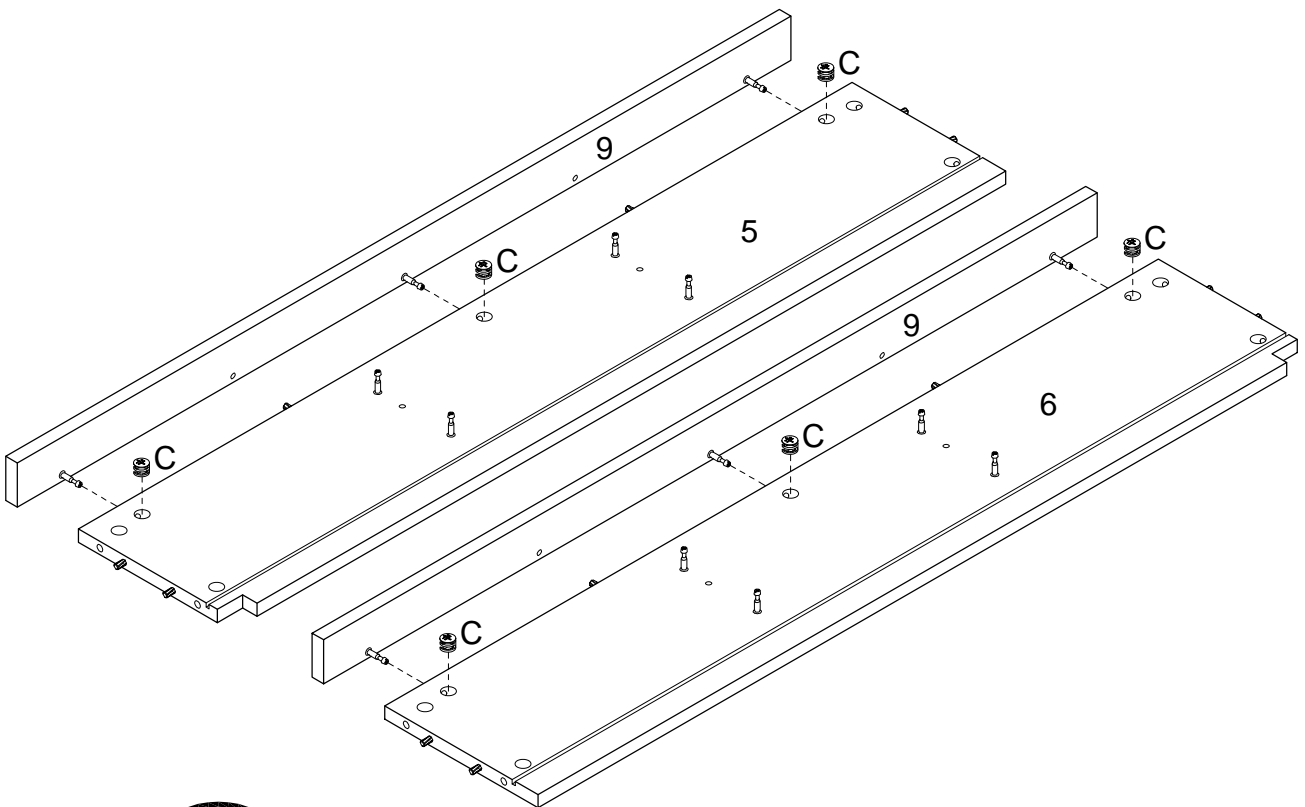
Step 5

Insert Dowels (A) into Left Divider Panel (7) and Right Divider Panel (8). Using a screwdriver, screw Cam Bolts (B) into Left Divider Panel (7) and Right Divider Panel (8).



Step 6

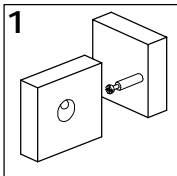
Next, attach the Side Rail (9) to Left Panel (5) and Right Panel (6) using Cam Locks (C).



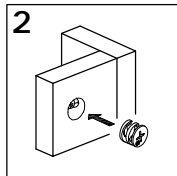
Tip

Cam Locks

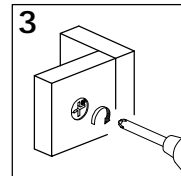
Cam Locks help securely join two pieces together.
Follow these easy steps.



1: Insert Cam Bolt into bolt holes on the flat side. Don't over tighten!



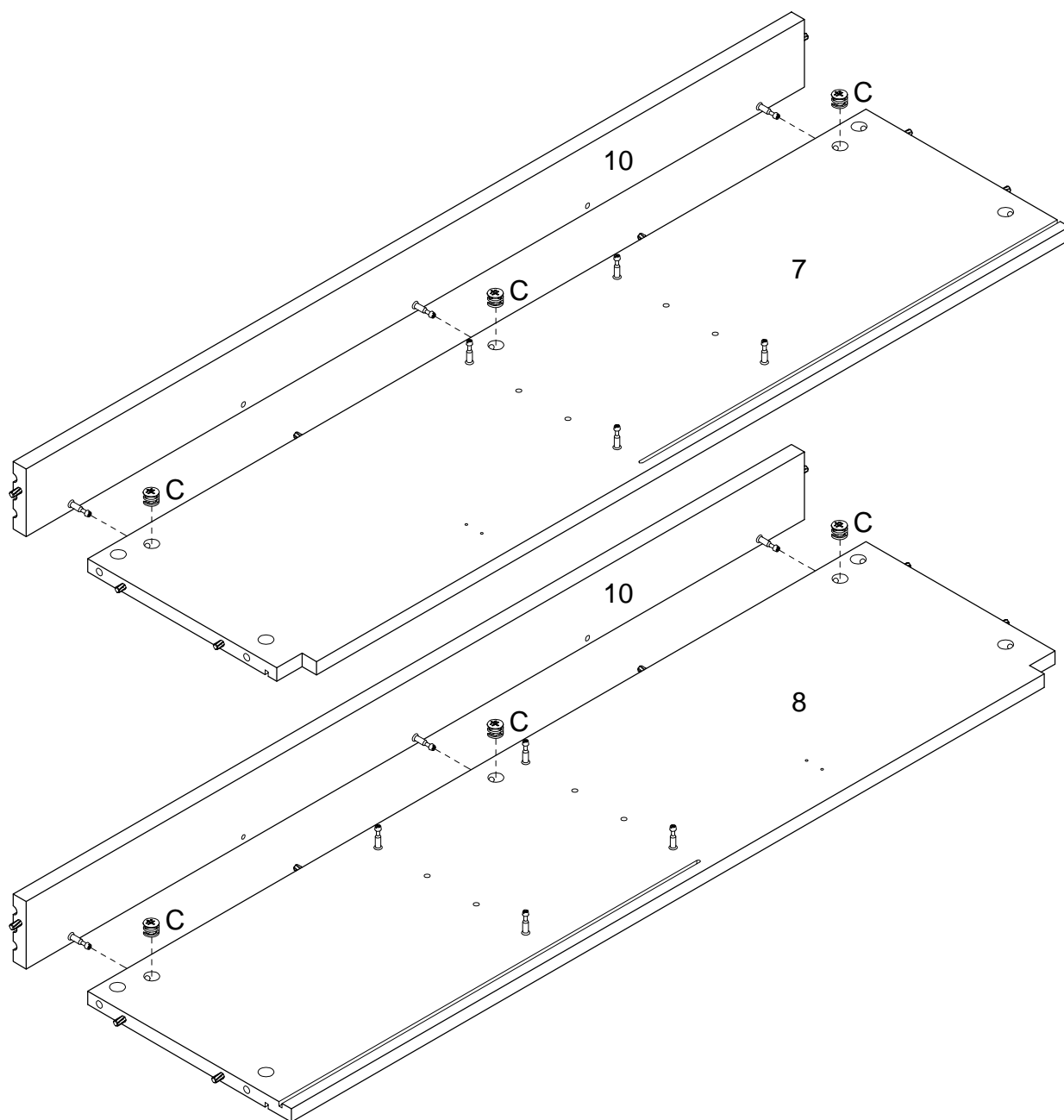
2: Fit the proper holes on the edge of the other part over the Cam Bolts. You should be able to see the cam bolts through the larger hole on the side.



3: On the back of the Cam Lock will be a "C" shape. Insert the Cam Lock so the opening of the "C" fits over the Cam Bolt. Tighten with the screwdriver.

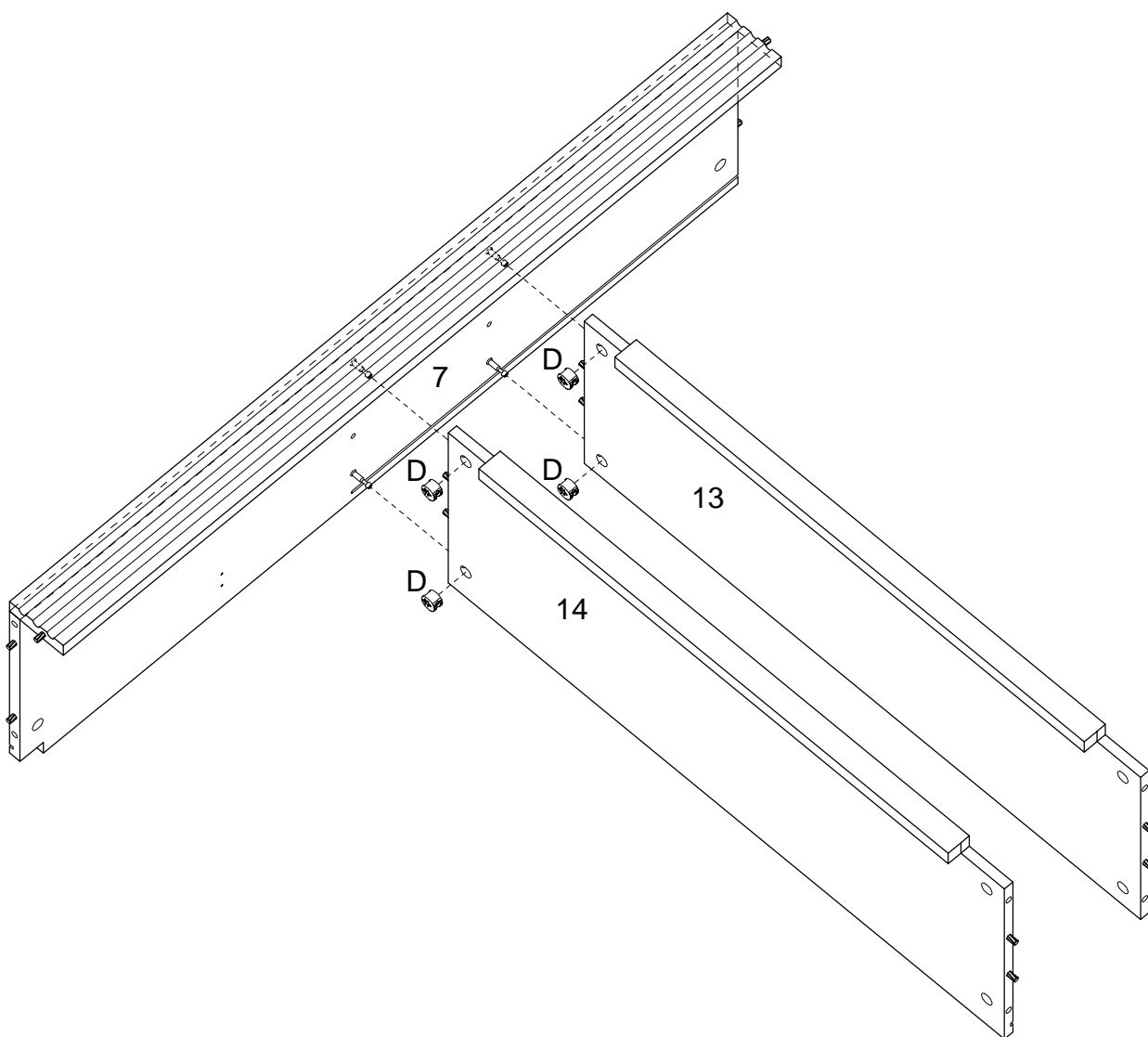
Step 7

Attach the Middle Rail (10) to Left Divider Panel (7) and Right Divider Panel (8) using Cam Locks (C).



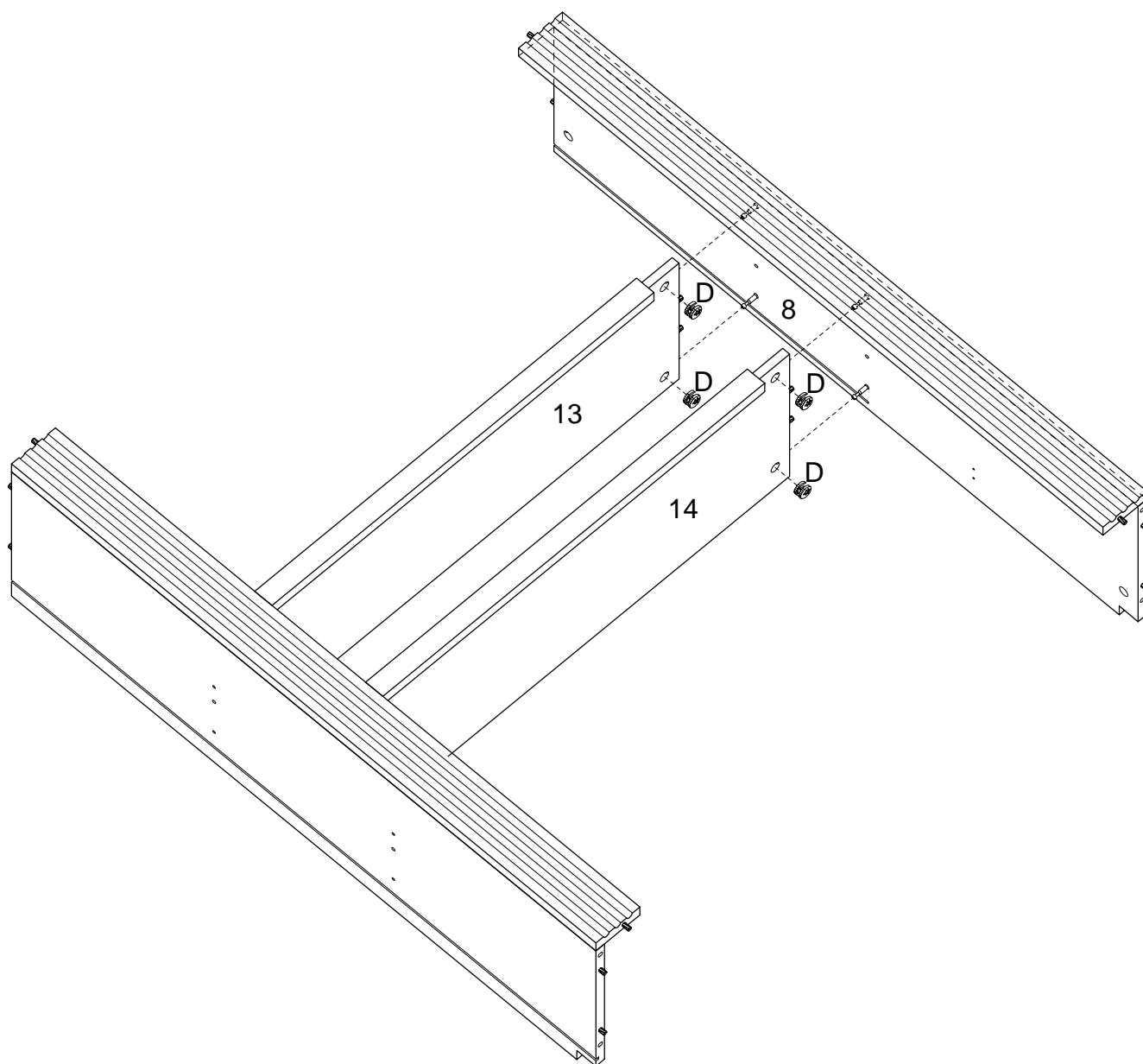
Step 8

Attach the Upper Middle Shelf (13) and Lower Middle Shelf (14) to Left Divider Panel (7) using Cam Locks (D).



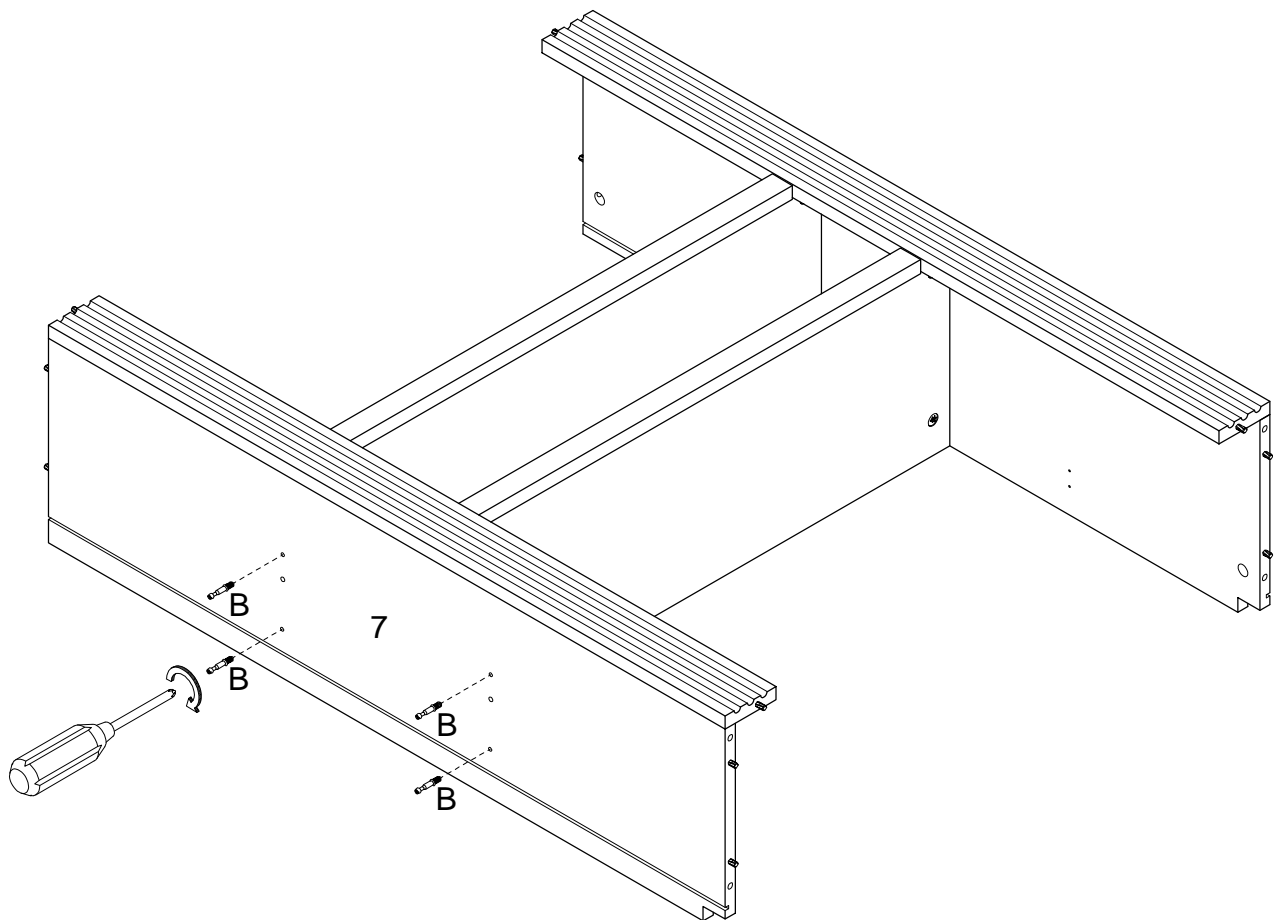
Step 9

Attach the Upper Middle Shelf (13) and Lower Middle Shelf (14) to Right Divider Panel (8) using Cam Locks (D).



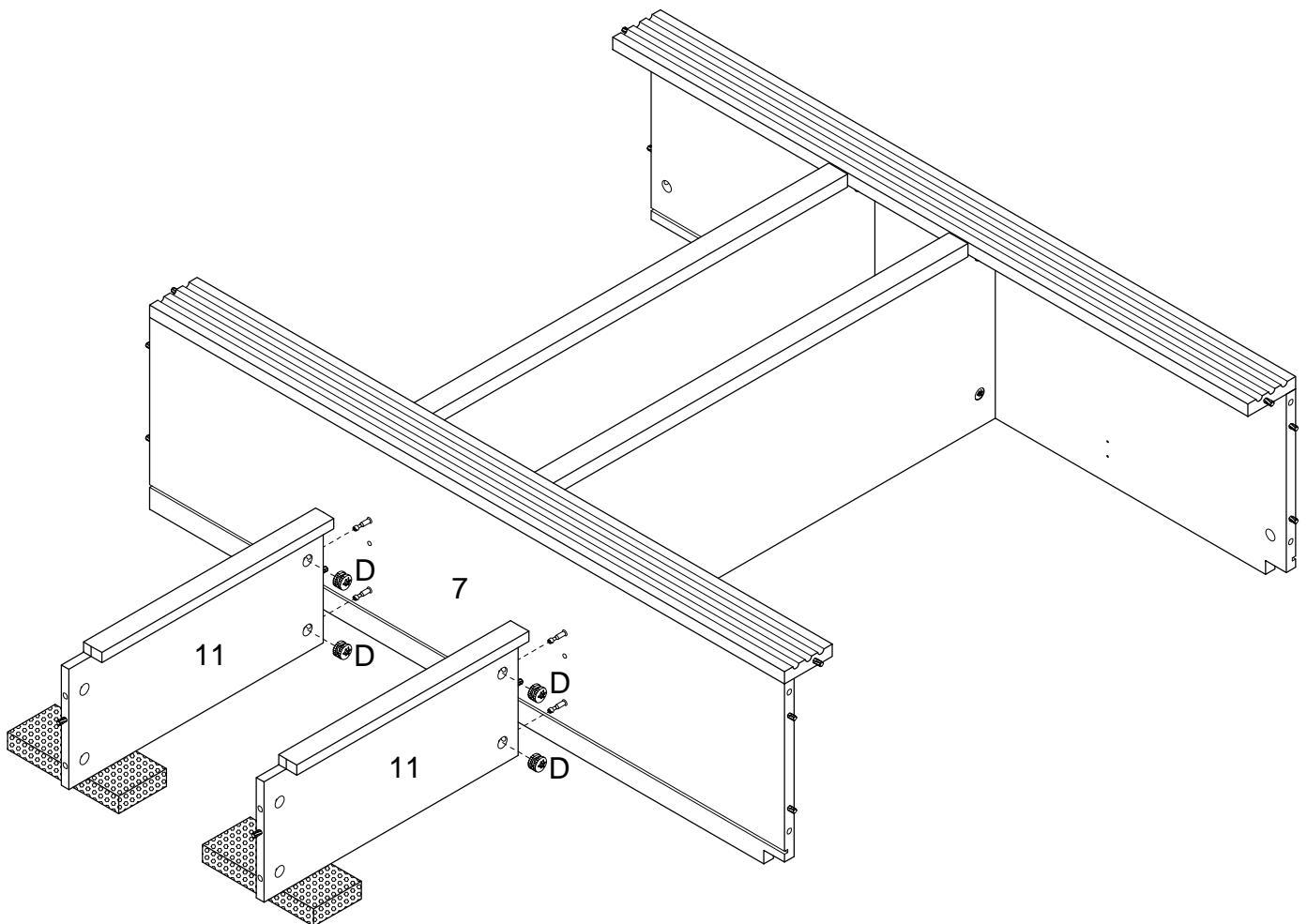
Step 10

Now, using a screwdriver, screw Cam Bolts (B) into Left Divider Panel (7).



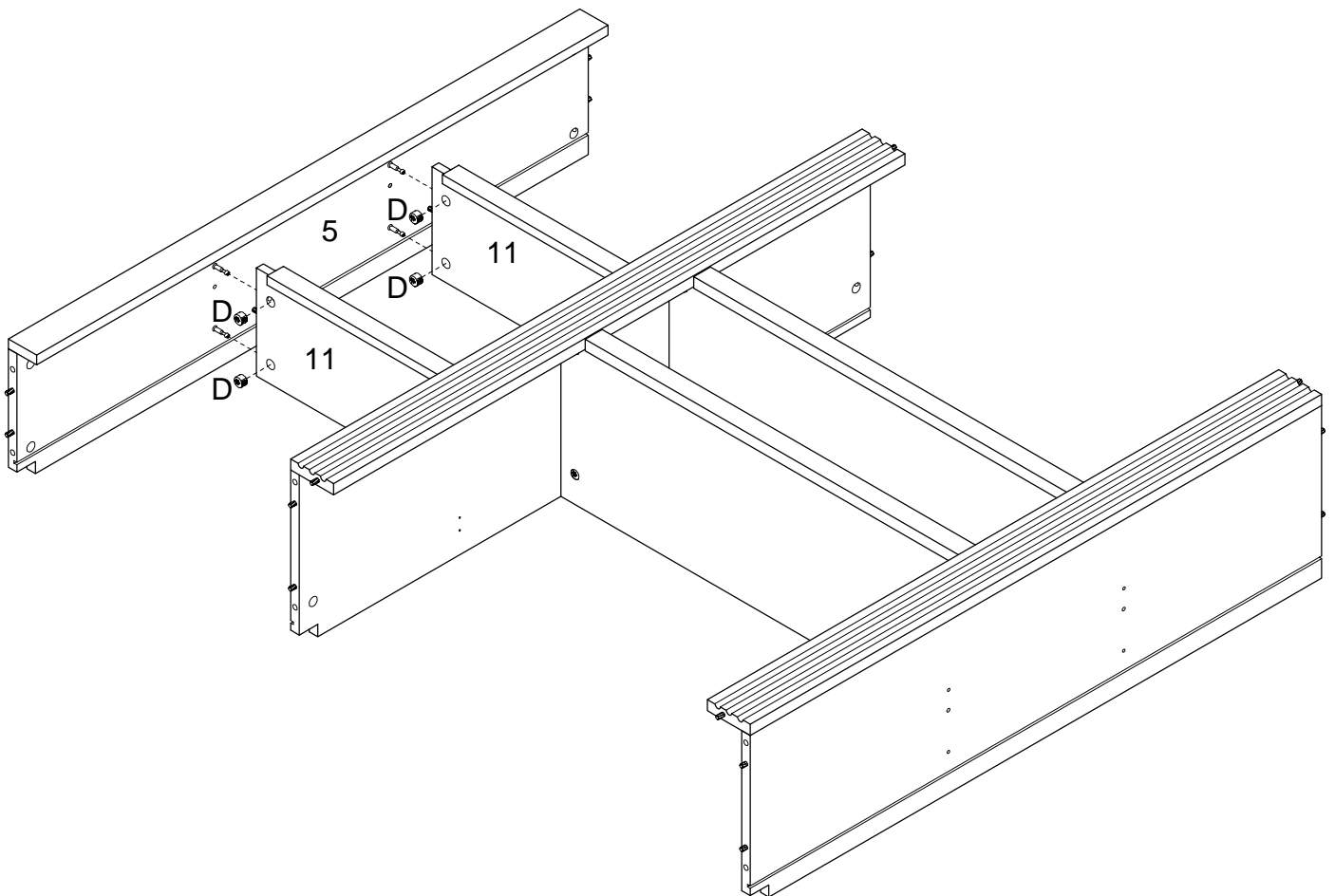
Step 11

Attach the Left Shelves (11) to Left Divider Panel (7) using Cam Locks (D).



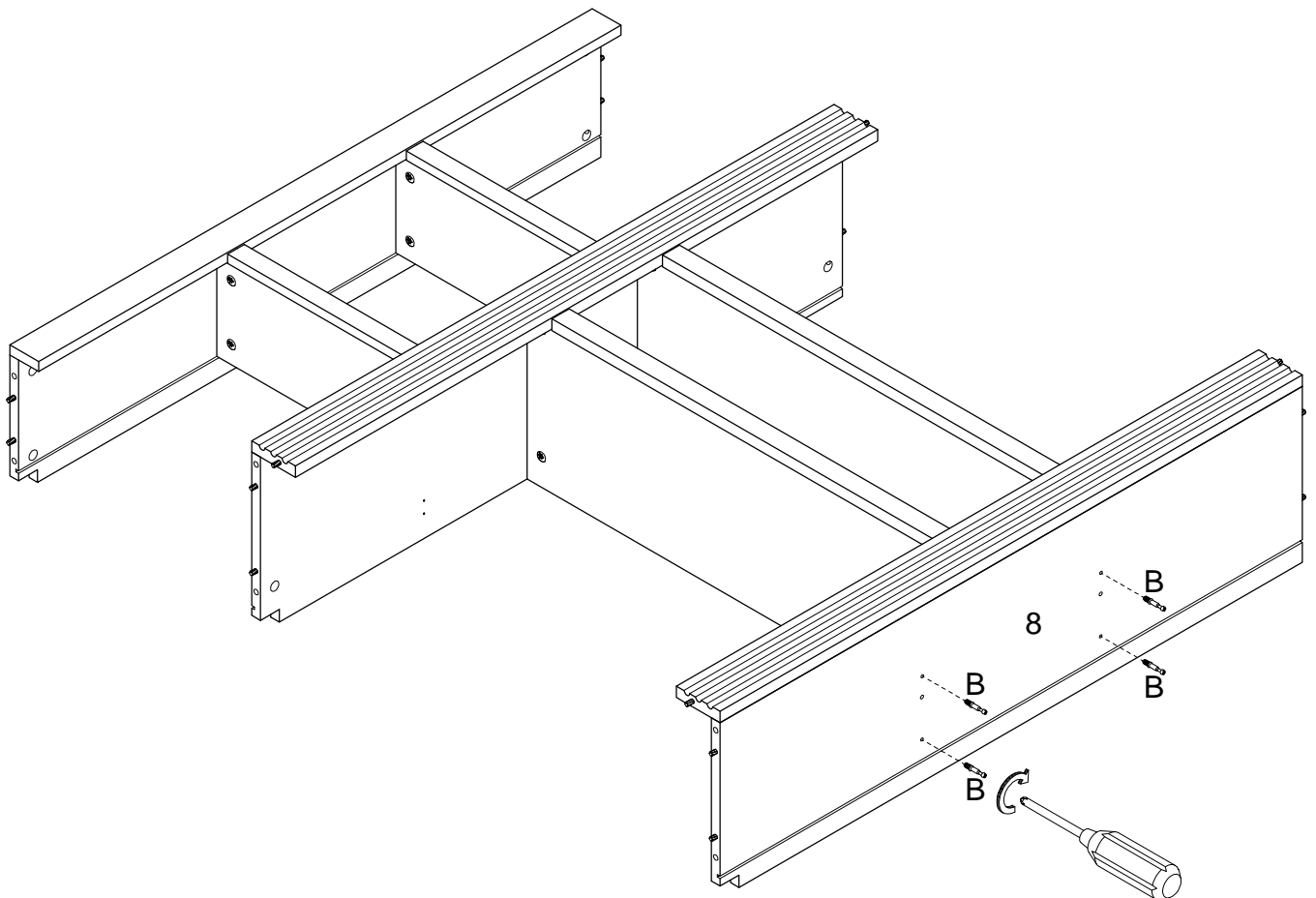
Step 12

Attach the Left Shelves (11) to Left Panel (5) using Cam Locks (D).



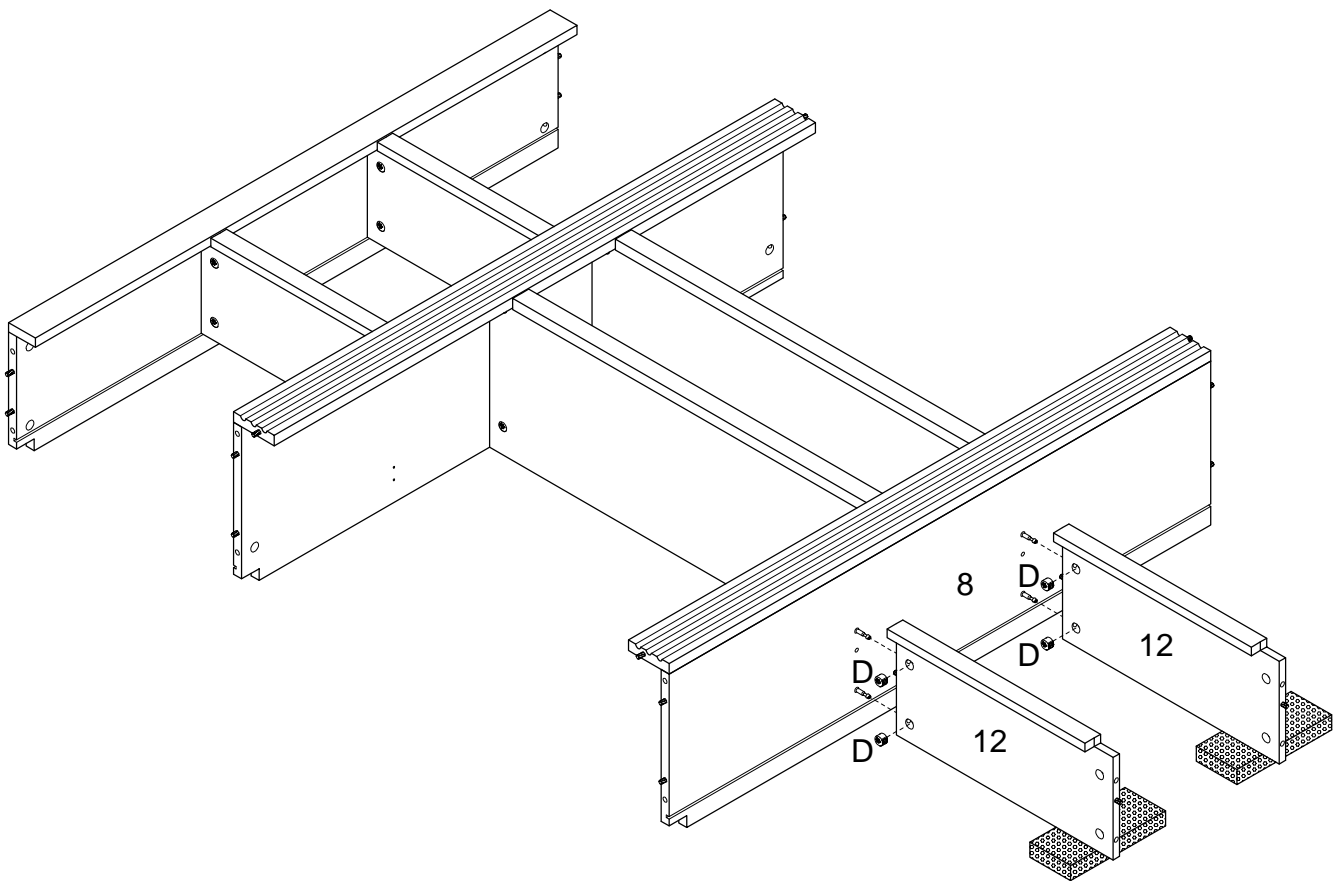
Step 13

Using a screwdriver, screw Cam Bolts (B) into Right Divider Panel (8).



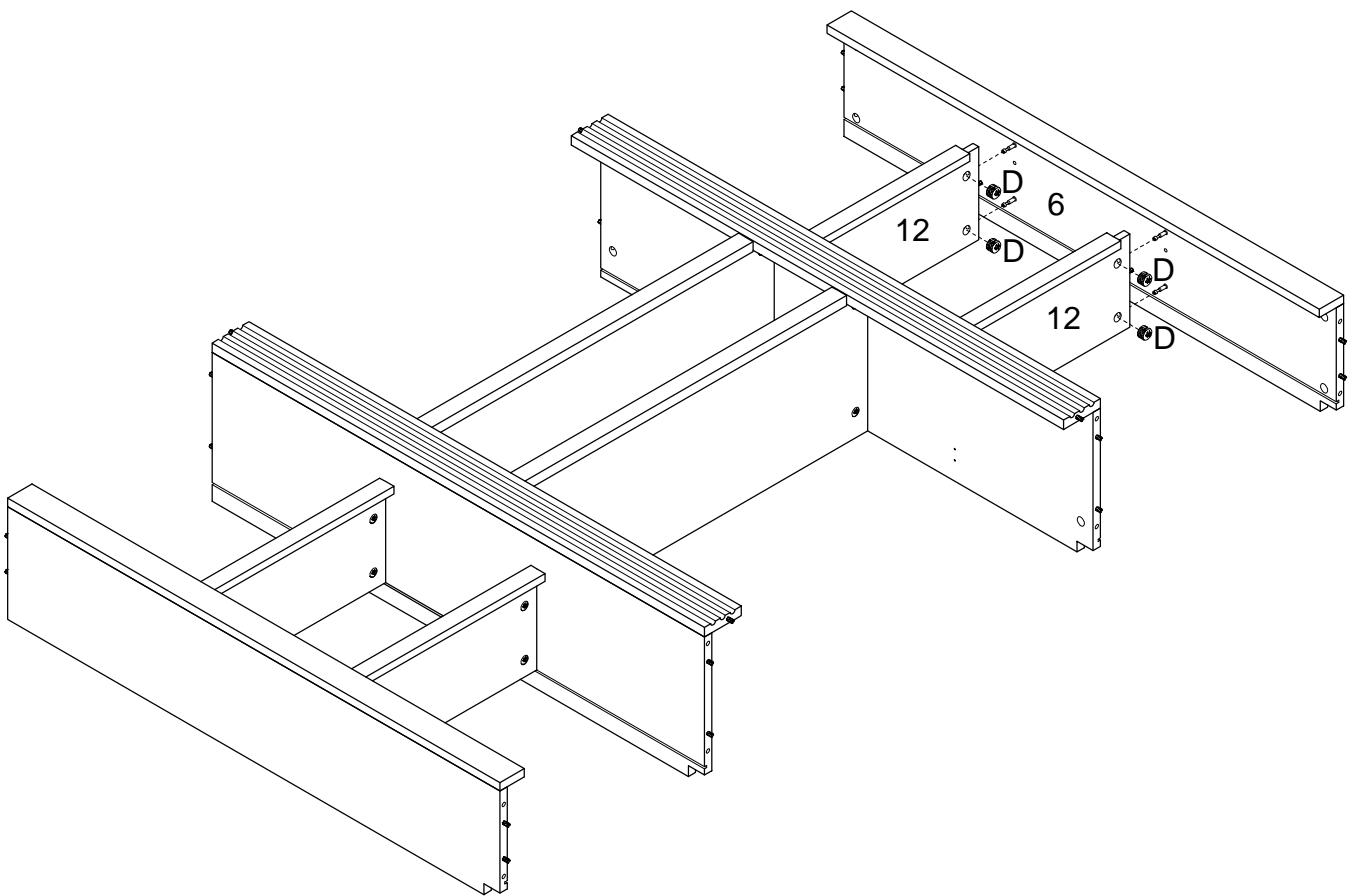
Step 14

Attach the Right Shelves (12) to Right Divider Panel (8) using Cam Locks (D).



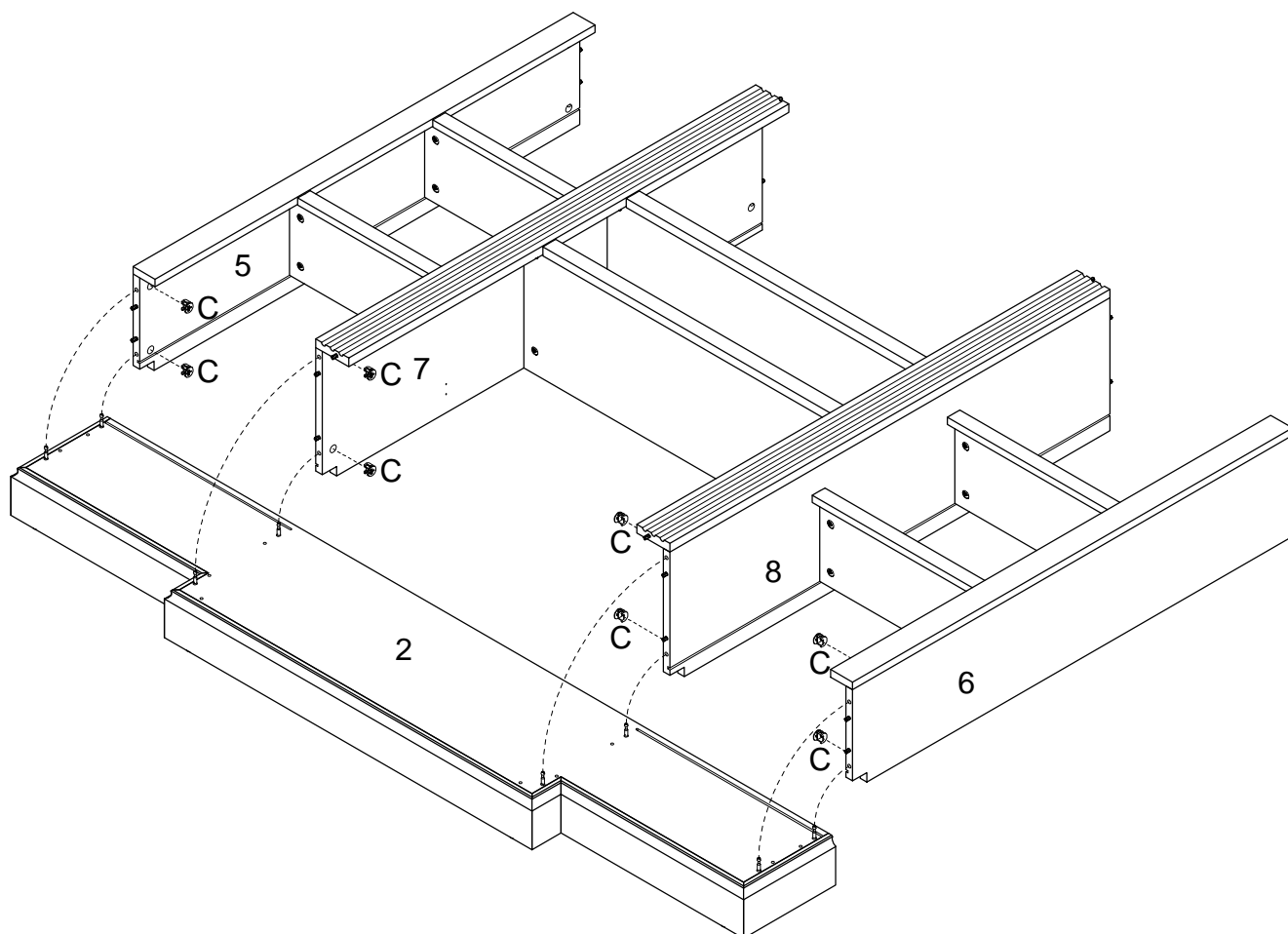
Step 15

Attach the Right Shelves (12) to Right Panel (6) using Cam Locks (D).



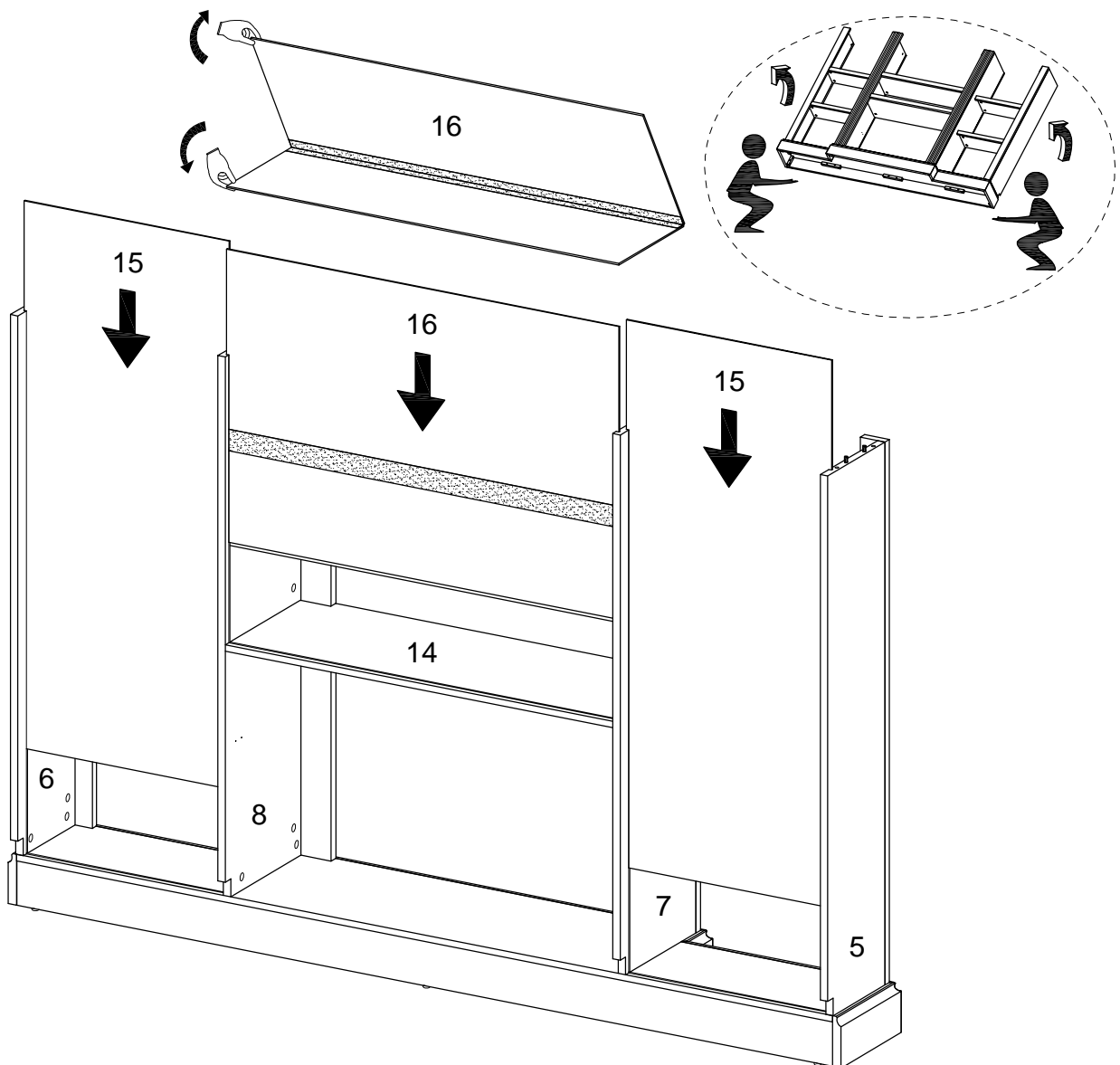
Step 16

Next, attach the Bottom Frame (2) to the Left Panel (5), Left Divider Panel (7), Right Divider Panel (8), and Right Panel (6) using Cam Locks (C).



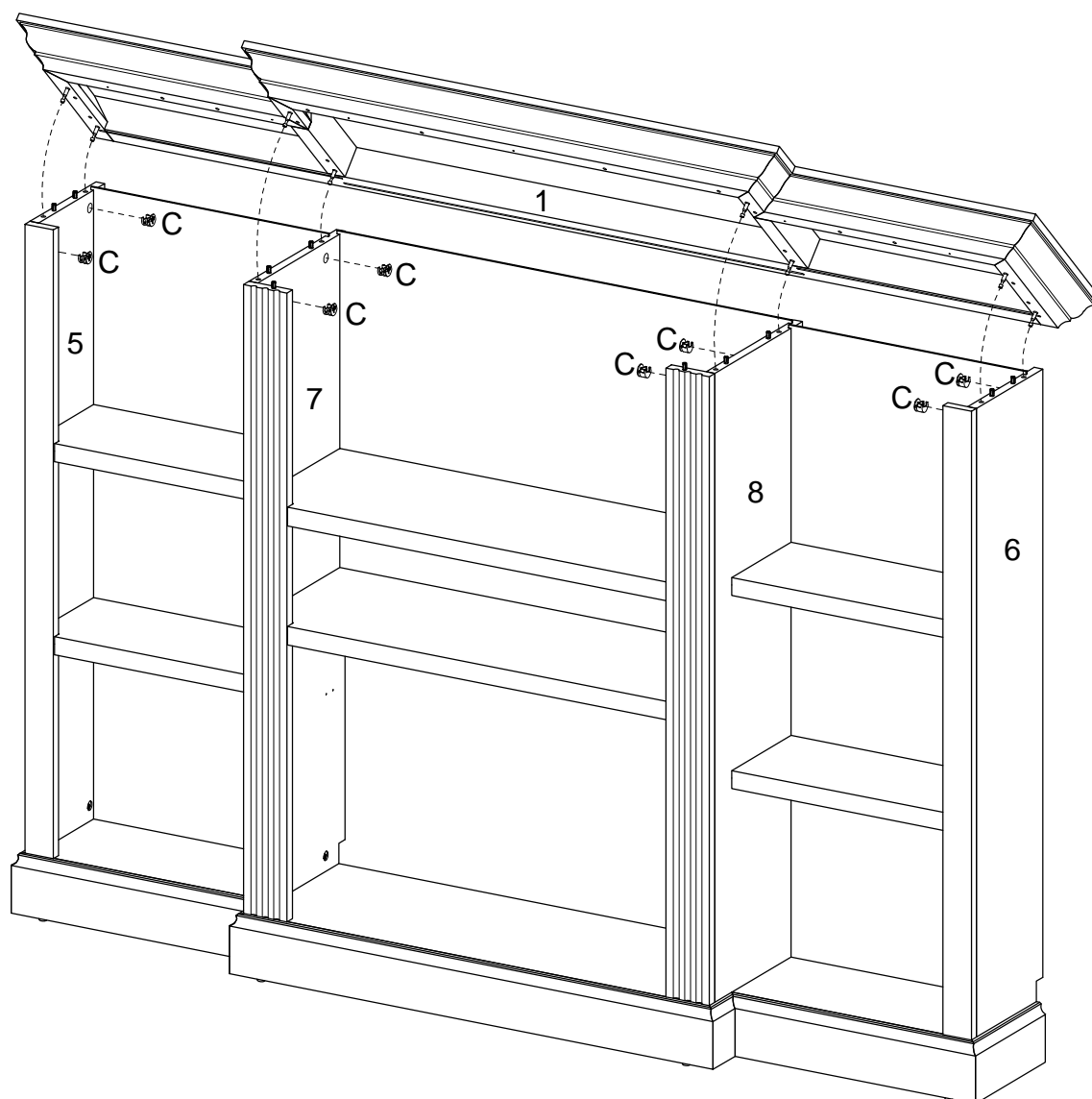
Step 17

Grab a friend and flip the mantel upright, so the Bottom Panel (2) is on the floor. Then, using the grooves as a guide, slide the Side Back Panels (15) into place. Open Middle Back panel (16) and slide into place with the taped seam facing the back side of the mantel.



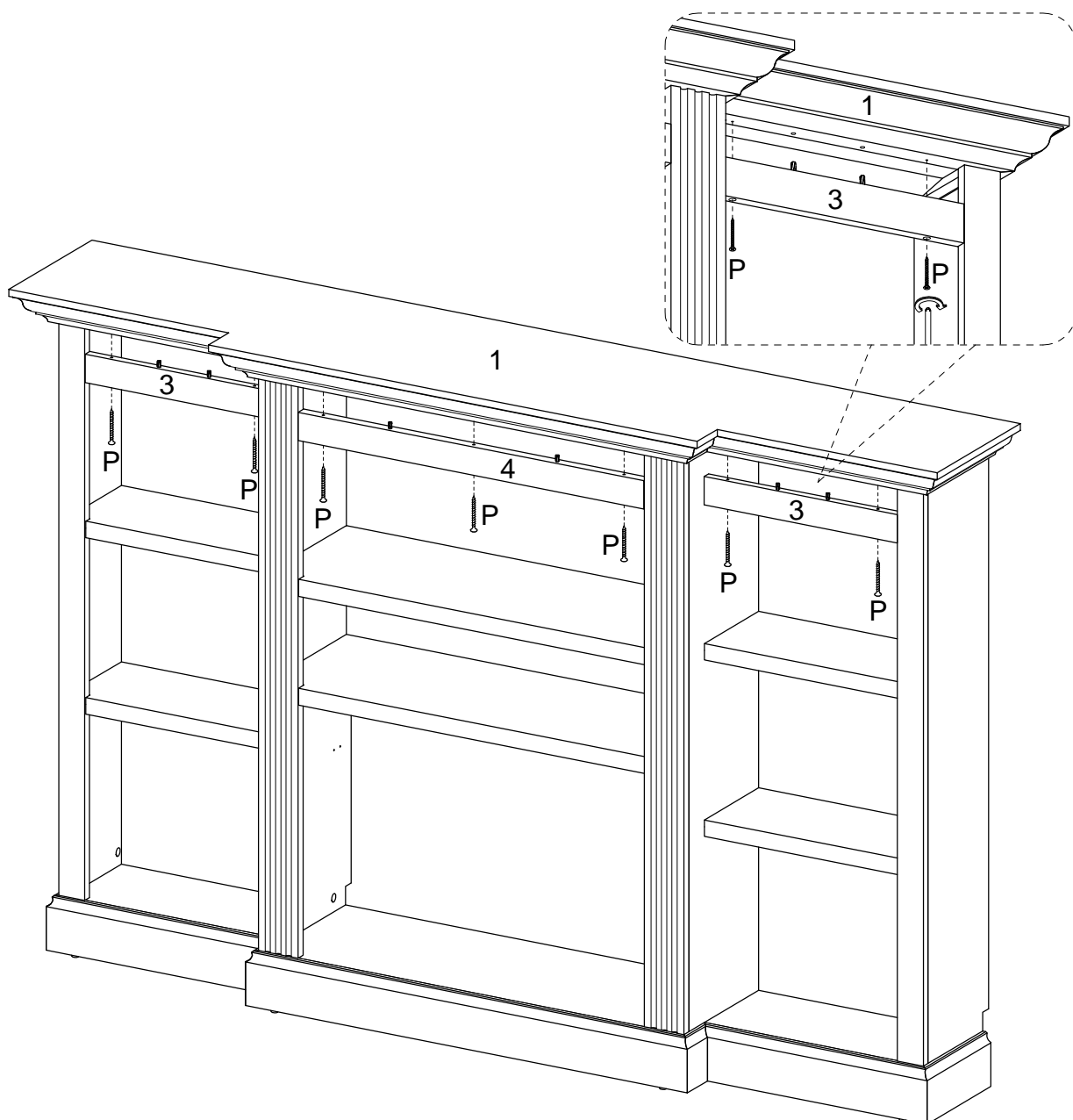
Step 18

Attach the Top Frame (1) to the Left Panel (5), Left Divider Panel (7), Right Divider Panel (8), and Right Panel (6) using Cam Locks (C).



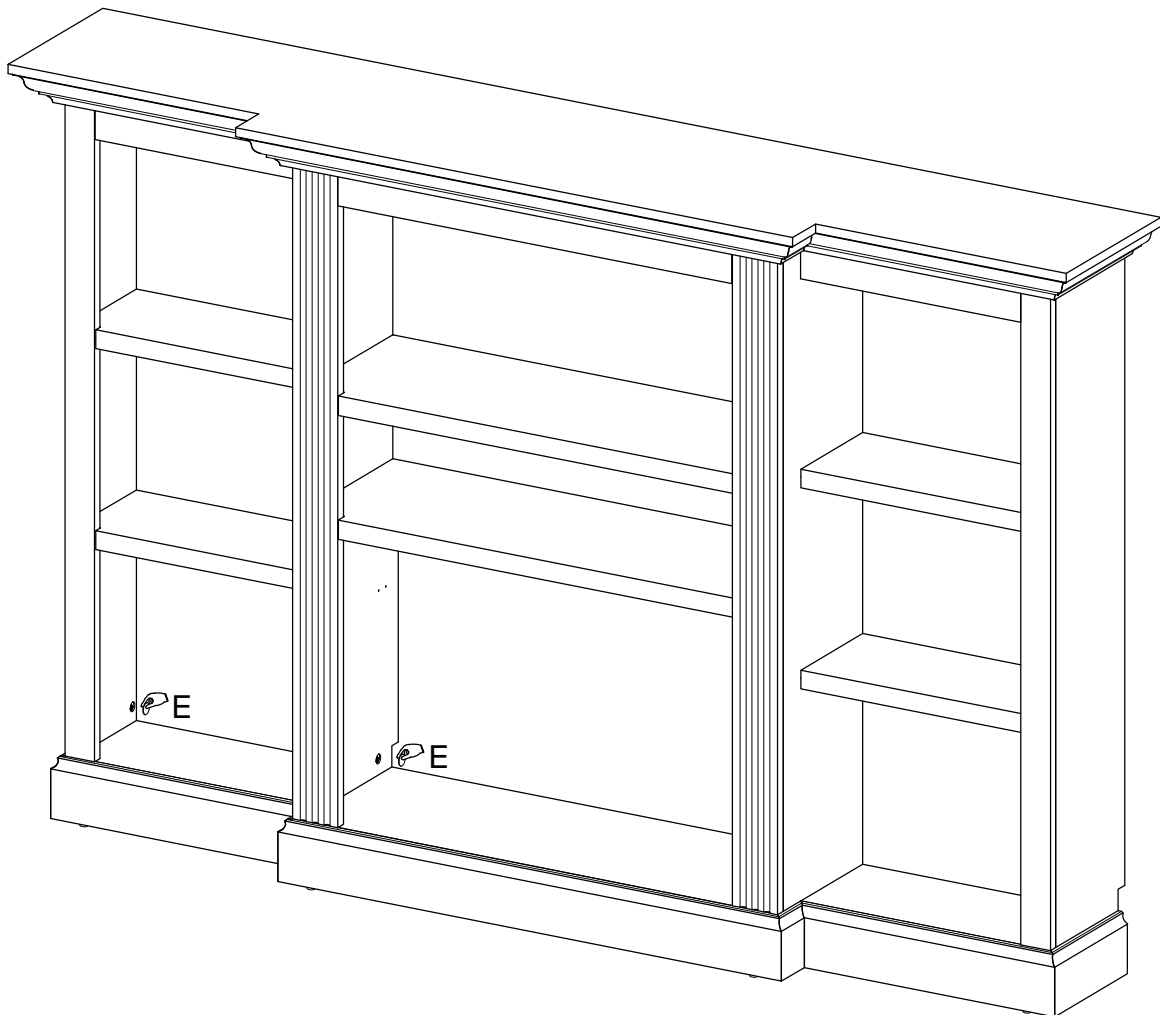
Step 19

Using a screwdriver, attach the Top side Rails (3) and Top Middle Rail (4) to the Top Frame (1) using 50mm Screws (P).



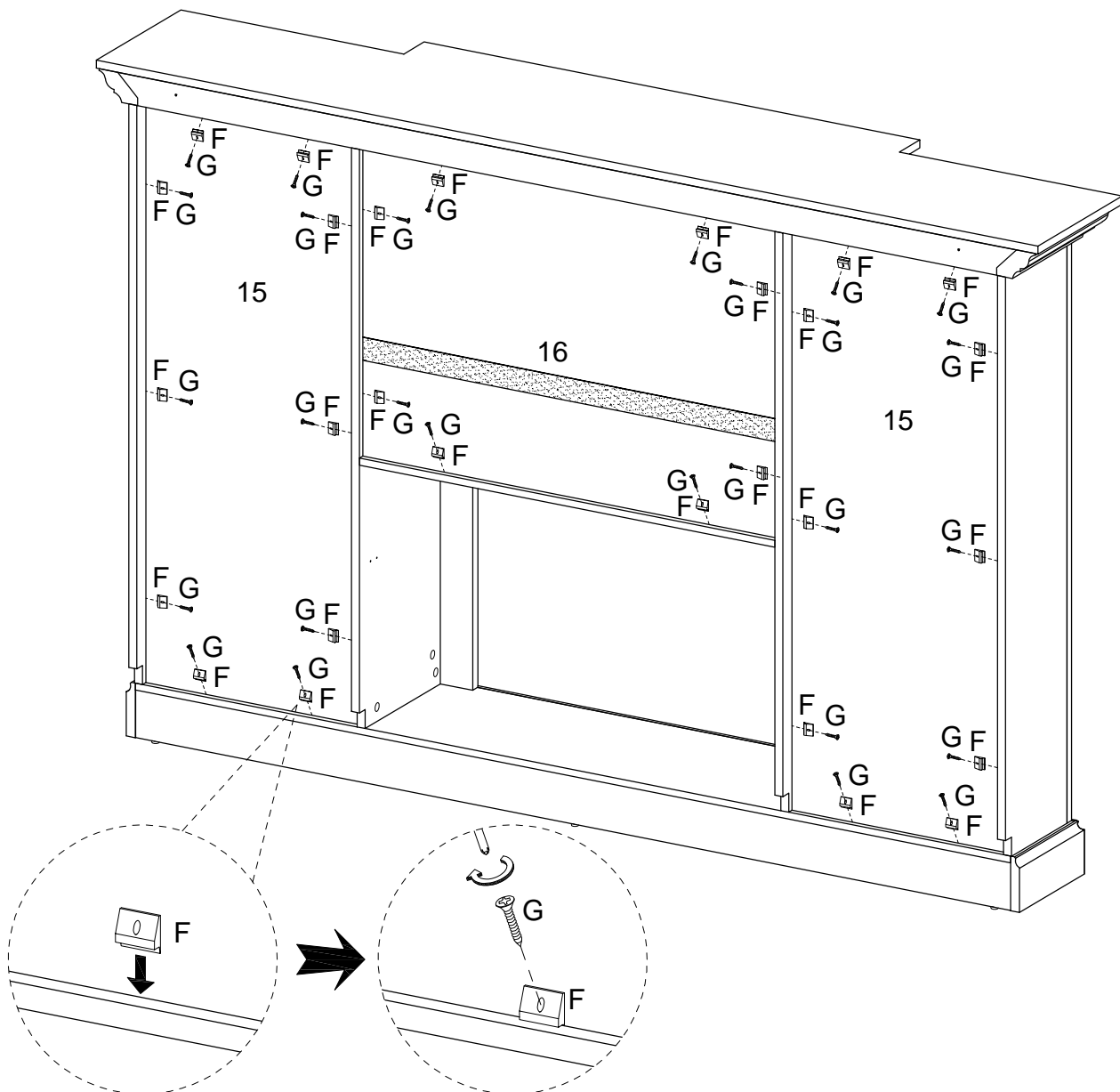
Step 20

Place Stickers (E) over visible Cam Locks.



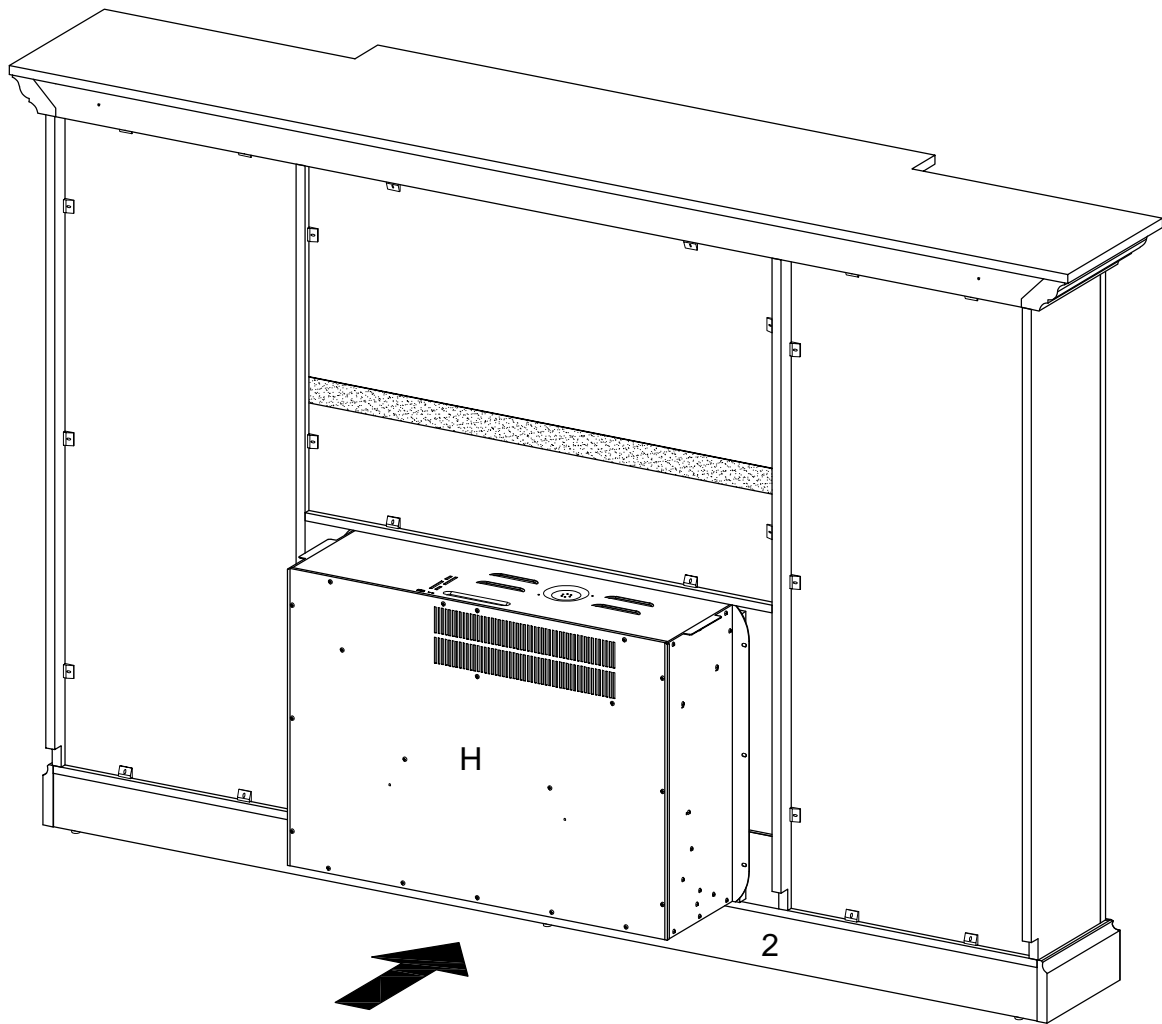
Step 21

Using a screwdriver secure Side Back Panels (15) and Middle Back Panel (16) with Plastic Wedge (F) and 17mm Screws (G).



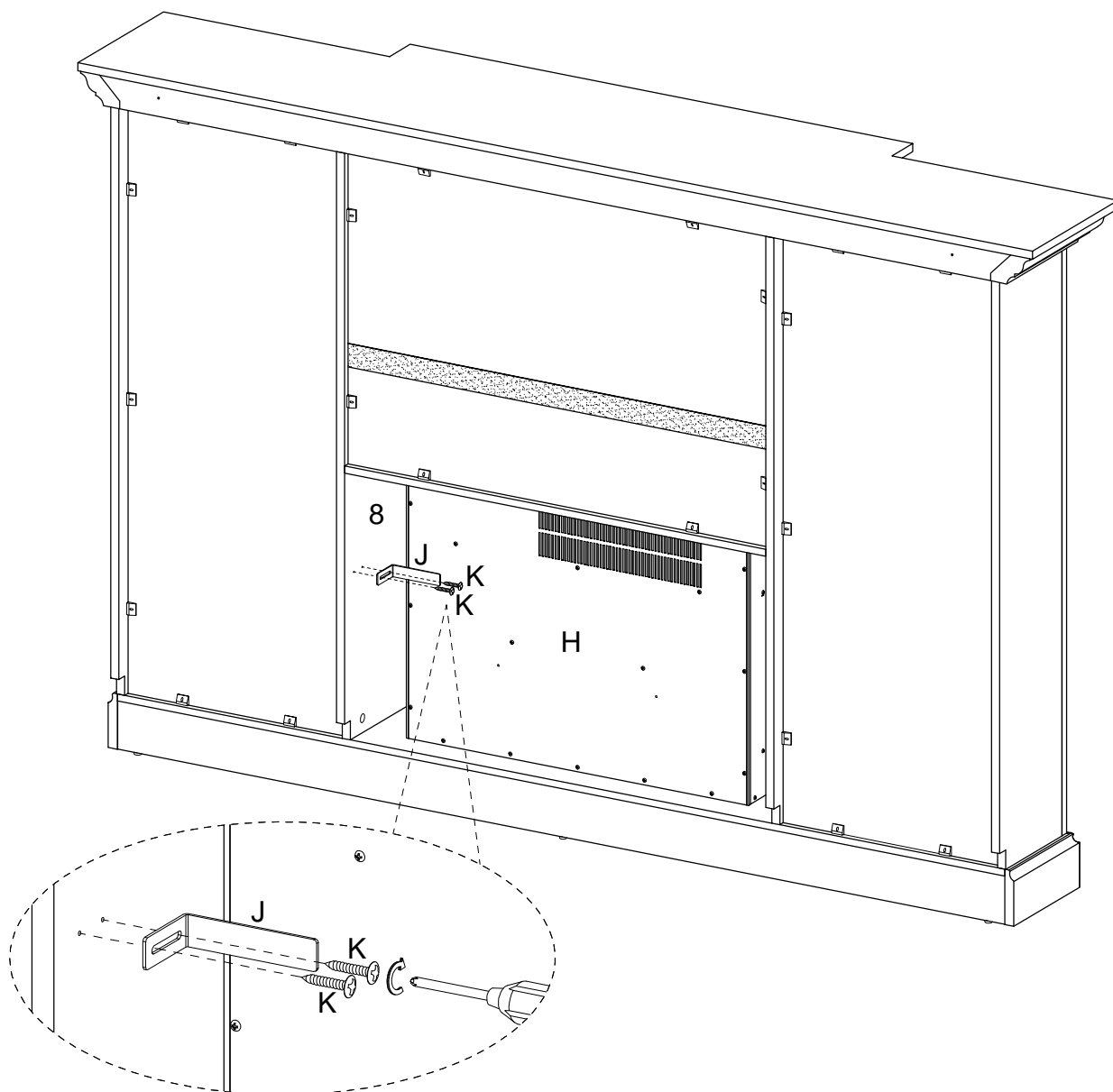
Step 22

Insert the Fireplace Insert (H) into place from the back side of the mantel.



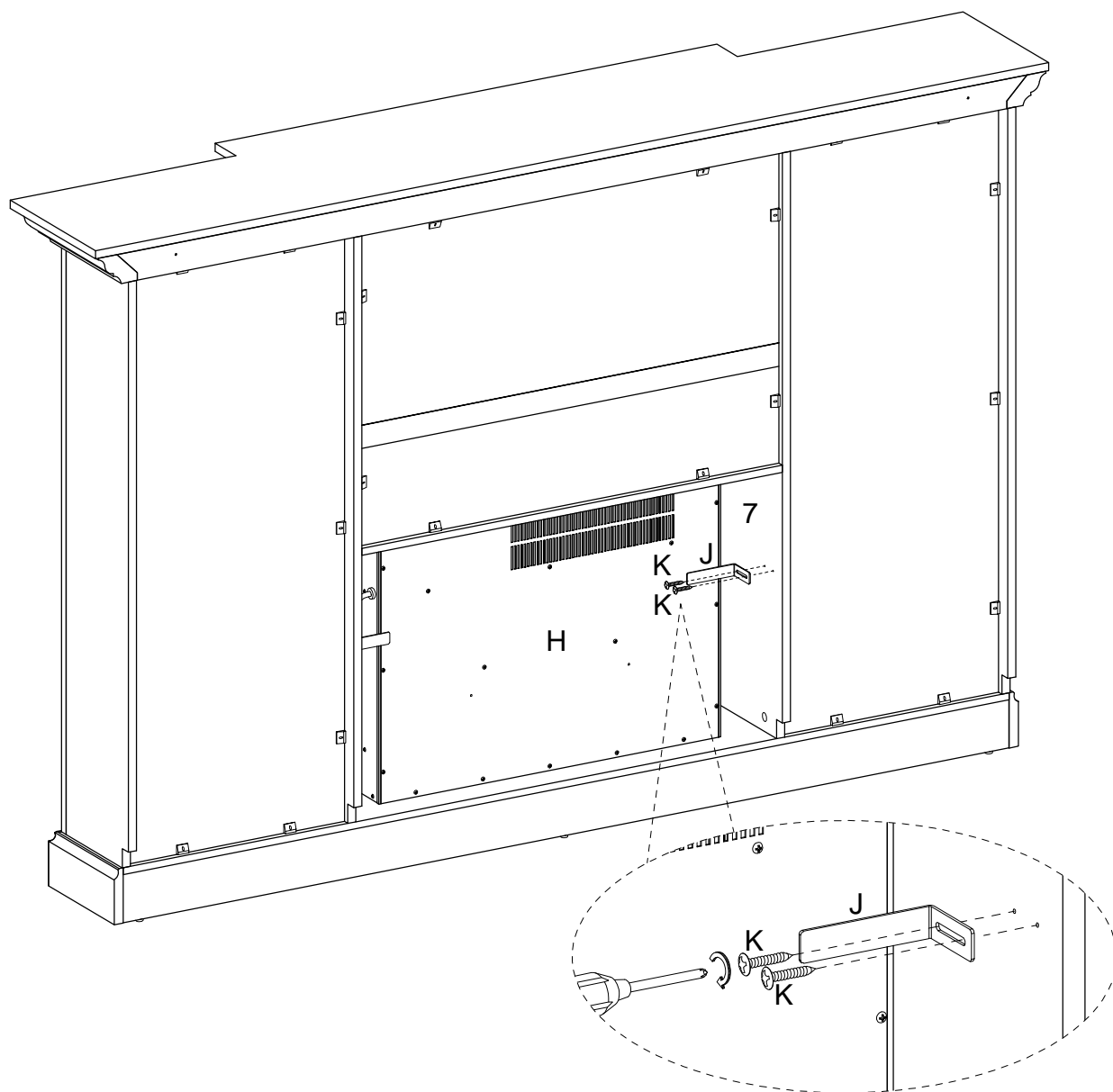
Step 23

Attach the Fireplace Insert (H) to the mantel by attaching the L Shaped Bracket (J) to the Right Divider Panel (8) using 12mm Screws (K).



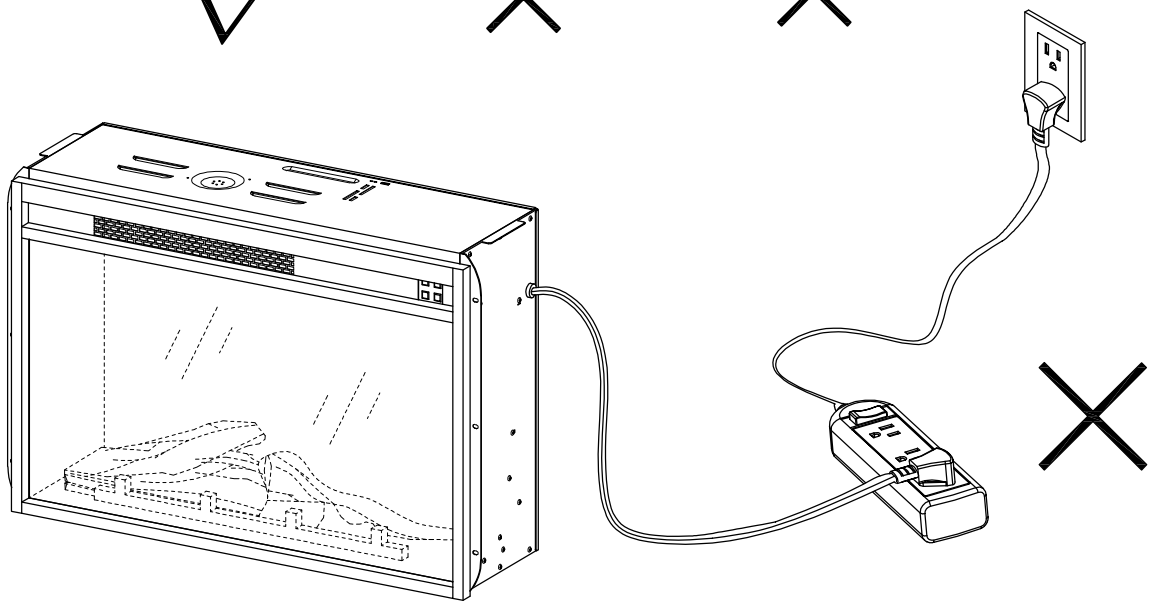
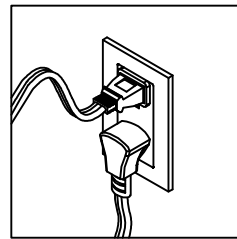
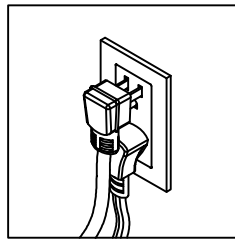
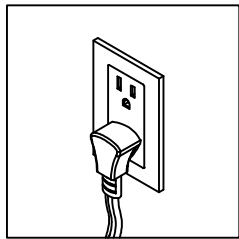
Step 24

Attach the Fireplace Insert (H) to the mantel by attaching the L Shaped Bracket (J) to the Left Divider Panel (7) using 12mm Screws (K).



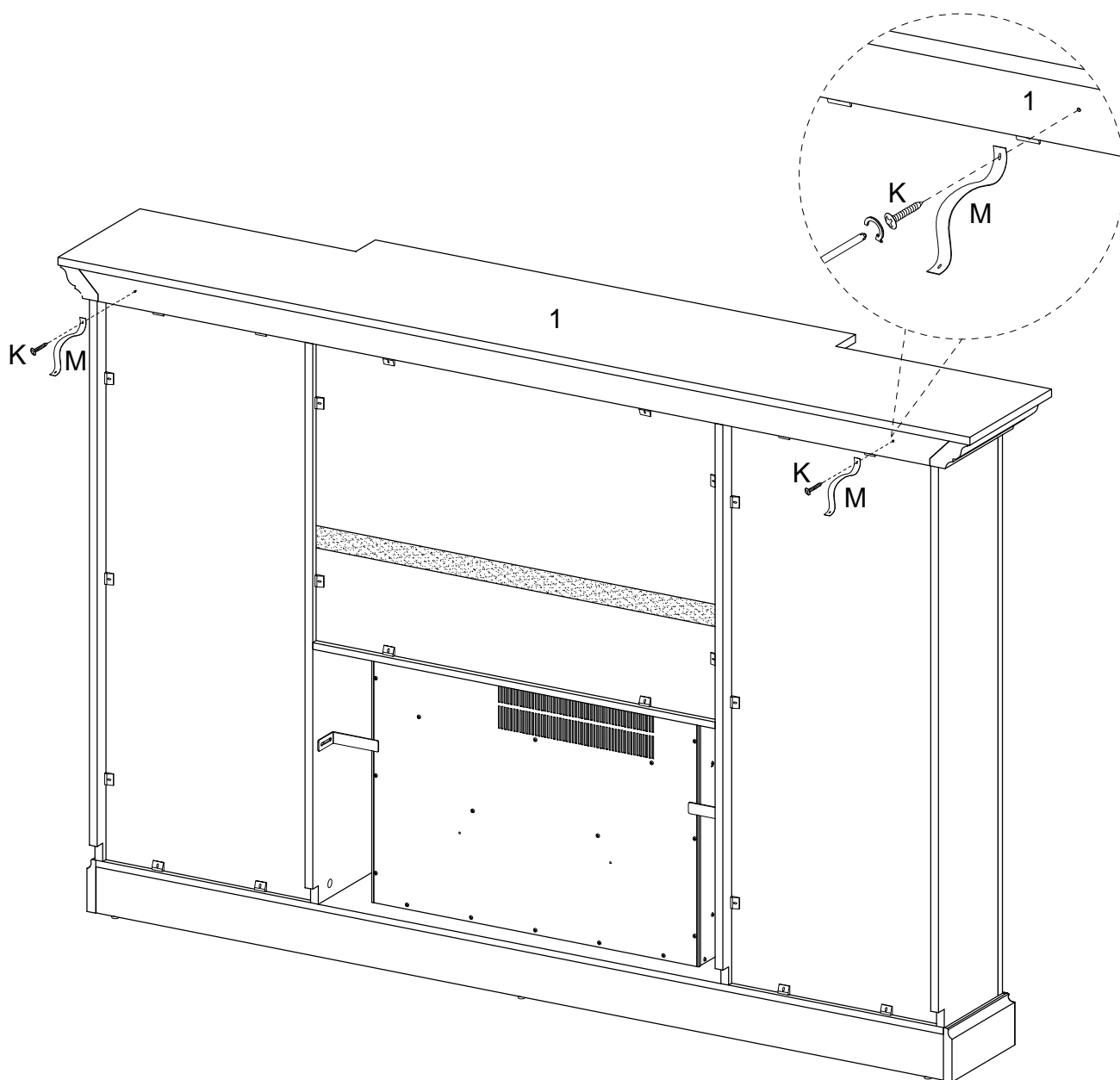
Step 25

For your safety, please ensure that your fireplace is securely plugged into the wall outlet, and that it is the only device connected to the outlet.



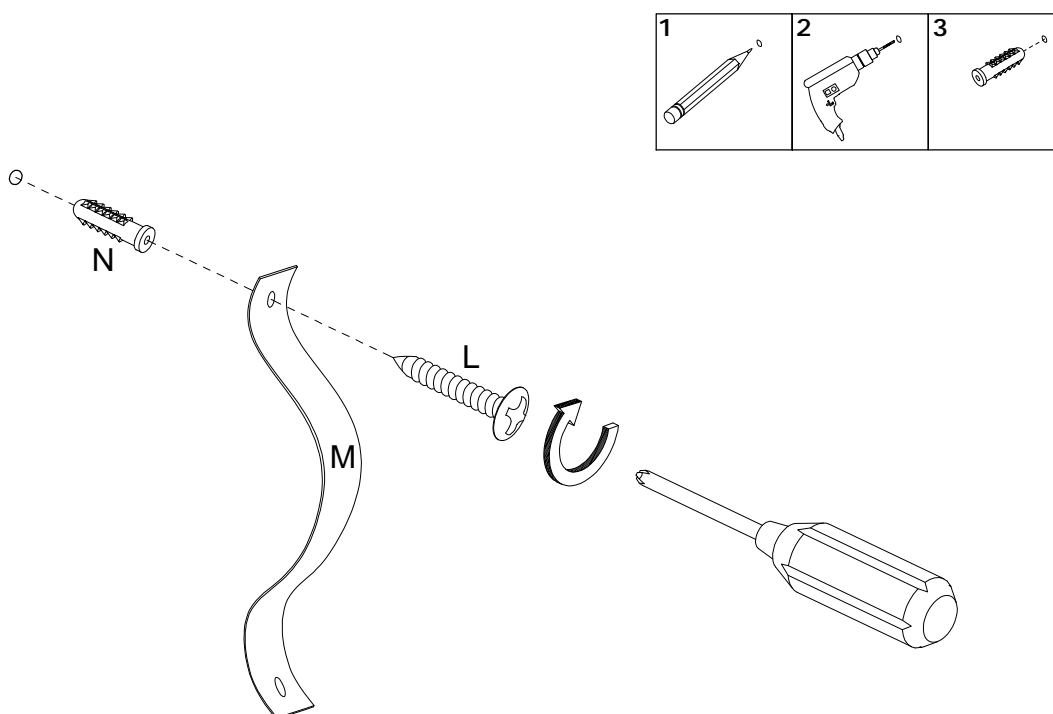
Step 26

Let's secure your mantel to the wall. Attach the Plastic Strip (M) to each side of the mantel using Screw (K).



Step 27

Insert Wall Anchor (N) into the wall. Next, secure your Plastic Strip (M) to the wall using the 25mm Screw (L). Way to go! You did it!

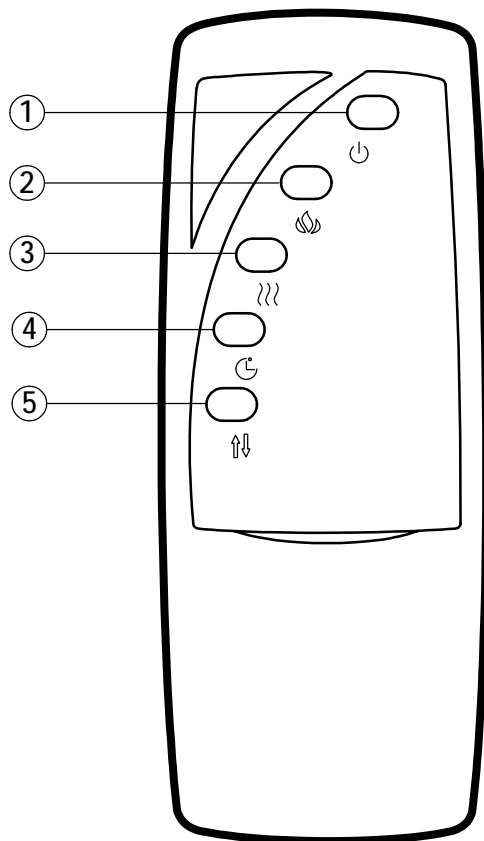


Warning

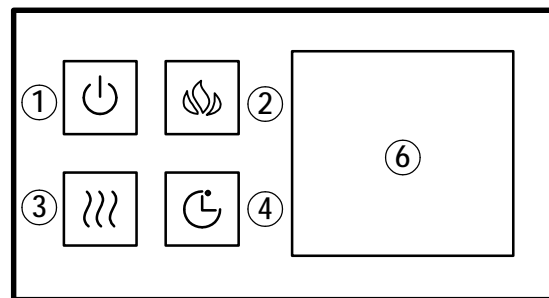
Serious or fatal injuries can occur from furniture tipping over. To prevent the furniture from tipping over we recommend that it is permanently fixed to the wall. Wall anchor and hardware are included with this product. Please make sure hardware is suitable for your walls before installing, as different wall materials may require different types of anchors.



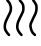


Fireplace Controls

Remote Control



Fireplace Control

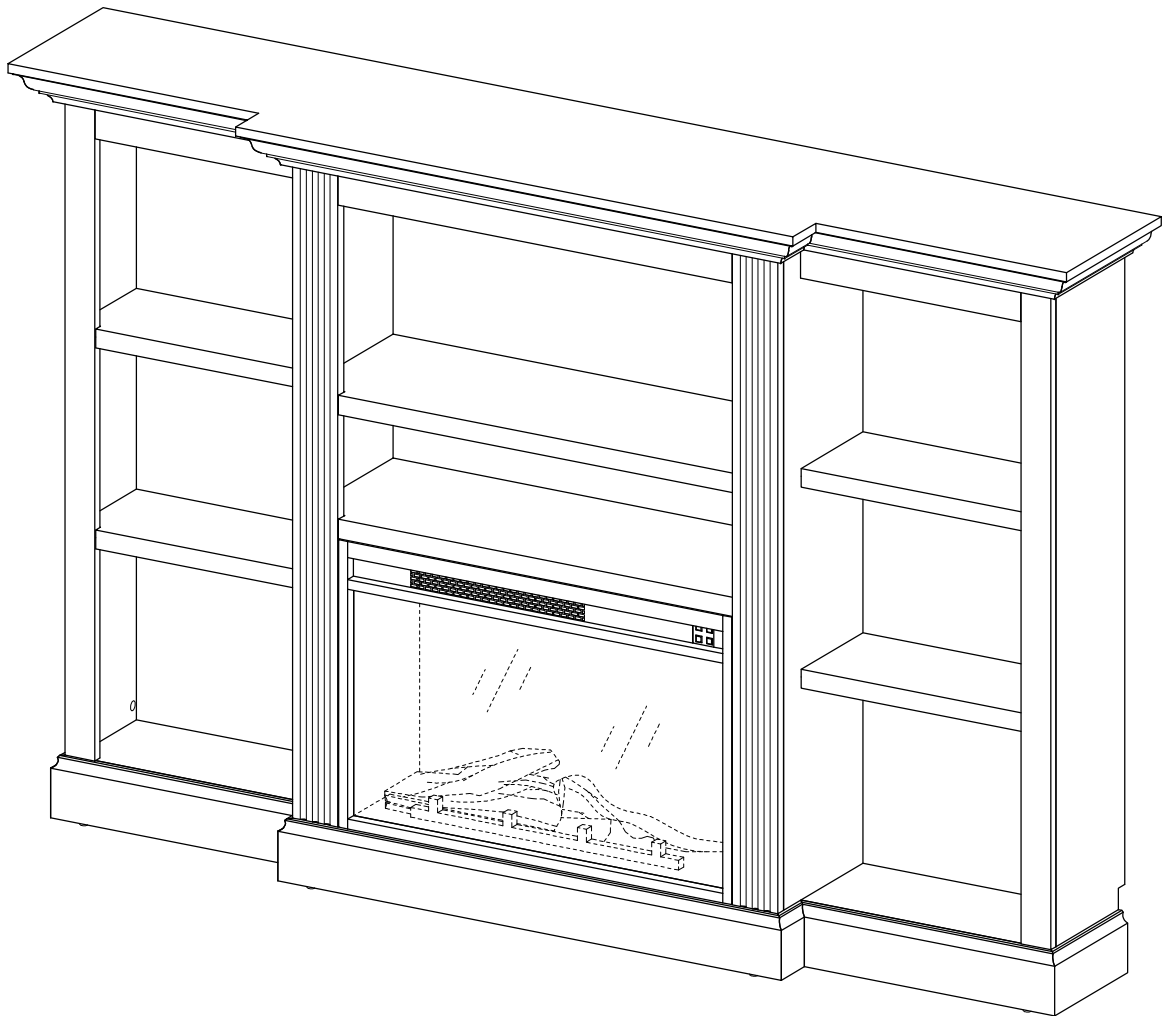


- ①  Power Button: Use this button to turn your fireplace on or off. When you turn it back on, it will remember your last flame and heat settings, so you can pick up right where you left off!
- ②  Flame On/Off + Brightness Control: Use this button to turn the flame on and adjust the brightness to one of four settings. To turn off the flame, cycle through all brightness settings.
- ③  Heat On/Off: This button lets you easily turn the heat on or off.
- ④  Timer: This button allows you to set a timer to automatically turn off the fireplace after 1 to 9 hours.
- ⑤  Temperature Control: When the heat is on, use this button to cycle through different temperature settings and find your perfect comfort level.
- ⑥ LED Display

Note: You can adjust the flame and heat independently, or even run the flame with the heat off, for the perfect ambiance and comfort setting!

Final Assembly

Sit back and admire your hard work. Cozy up and enjoy your new fireplace mantel.



Congratulations on your new piece of furniture!

We would love to hear about it and see it.
Please leave us a review or post a picture with
#mywalkerredisonhome

Assembling furniture can be tricky sometimes.

Our customer service team, located in Utah, is here for product information, help assembling a product, or for any other customer support issue

Call us at **801-433-3008**

Email us at service@walkeredison.com

Visit our Customer Service website at
walkeredison.com/pages/customer-service

We are available to help Monday -Thursday 8am-5pm, Friday
8am-3pm MST

For details on Assembly Videos, Assembly Instructions,
Replacement Parts, and Customer service,
SCAN HERE

