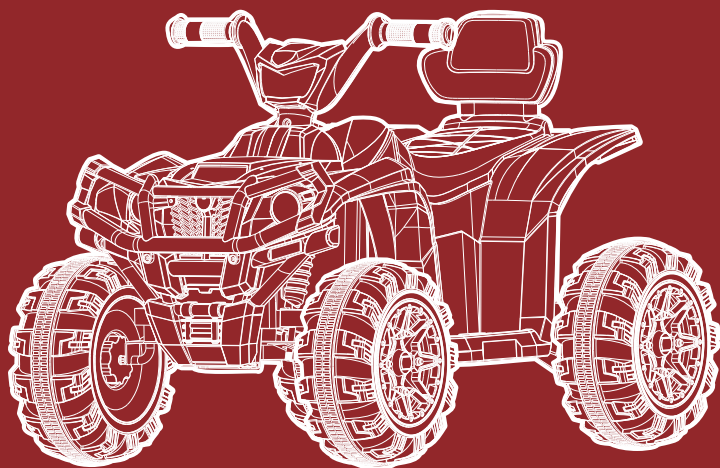




BEST CHOICE  
PRODUCTS



# INSTRUCTION MANUAL

---

12V Ride On ATV 4-Wheeler



## WARNING

ADULT ASSEMBLY REQUIRED



Charge for **12 hrs**  
before initial use.

After initial charge,  
follow the normal  
recommended  
charging time.



## SAFETY

Please retain these instructions for future reference.

This vehicle must be assembled by an adult who has read and understood the instructions in this manual. Keep the packaging and bags away from children and dispose of all packaging before use. Always use common sense and safe practices when operating this vehicle. This product contains or emits chemicals known in the state of California to cause cancer or birth defects or other reproductive harm.

**NOTE:** For best performance, only use this vehicle on flat and hard surfaces.

**AGE RANGE:** 3 to 6 years old

**WEIGHT CAPACITY:** 44 lbs.

The following safety hazards may result in serious injury or death:

- This product contains small parts. Keep children away during assembly. Make sure to remove all packaging material and parts from underneath the vehicle body.
- Never open the battery. Batteries contain lead and lead compounds (acids) that are toxic and corrosive and known to the state of California to cause cancer and reproductive harm.
- Limbs, hair, and clothing can get caught in moving parts. Always wear shoes, keep limbs away from moving parts, and do not wear loose clothing while operating this vehicle.
- This vehicle does not have brakes or braking capability. Do not leave a child unattended during operation. Do not use this in a location that may require braking capability, as this could result in loss of control, which may cause serious injury or death.
- Use of this vehicle near streets, motor vehicles, steps, bodies of water, sloped surfaces, hills, wet areas, flammable vapors, in alleys, at night, or in the dark could result in an unexpected accident.
- Use of this vehicle in unsafe conditions such as snow, rain, loose dirt, mud, sand, or gravel may result in an unexpected accident such as tipping over and could damage the electrical system or battery.
- Do not operate this vehicle in an unsafe manner. Examples include but are not limited to:
  - Pulling the vehicle with another vehicle or similar device
  - Allowing more than one rider
  - Pushing the user
  - Traveling at an unsafe speed
- This product is intended for residential use only.

## BATTERY WARNINGS

The following safety hazards may result in serious injury or death:

- **RISK OF FIRE:** Do not bypass fuse, this may overload and damage the electrical system. Replace only with original size and type.
- Use of a battery or charger other than the supplied rechargeable battery and charger may cause a fire or explosion. Only use the supplied battery and charger.
- Use of the rechargeable battery and charger for any other product may result in overheating, fire, or explosion. Never use the supplied rechargeable battery and charger with another product.
- Damage to the battery may occur if it is allowed to drain completely. **Do not allow the battery to drain completely.**
- Explosive gases are created during charging. Charge the battery in a well-ventilated area. Do not charge the battery near heat or flammable materials.
- Contact between the positive and negative terminals may result in fire or explosion. Avoid direct contact between the terminals. Picking up the battery by the wires or charger can cause damage to the battery and may result in a fire. Always pick up the battery by its case or handles.
- Liquids on the battery may cause fire or electric shock. Always keep all liquids away from the battery and keep the battery dry. Contact or exposure to battery leakage (lead acid) may cause serious injury. If contact or exposure occurs immediately call your physician. If the chemical is on the skin or in the eyes, flush with cool water for 15 minutes. If the chemical was swallowed, immediately give the person water or milk. Do not give water or milk if the patient is vomiting or has a decreased level of alertness. Do not induce vomiting.
- Battery posts, terminals, and related accessories contain lead and lead compounds (acid) – chemicals known to the State of California to cause cancer, reproductive harm, and are toxic and corrosive. Never open the battery.
- Tampering or modifying the electric circuit system may cause a shock, fire or explosion and permanently damage the system. Exposed wiring and circuitry in the charger may cause electric shock. Always keep the charger housing closed.

## USER WARNINGS

To reduce the risk of injury, adult supervision is required. Never use on roadways, near motor vehicles, on or near steep inclines or steps, swimming pools or other bodies of water; always wear shoes, and never allow more than one rider.

CHOKING HAZARD – Small parts. Not for children under 3 years old.

- Never leave a child unattended.
- Always sit in the seat when using this vehicle.
- Keep your hands, hair, and clothes away from moving parts.
- Children under 3 years of age cannot use the vehicle.
- Only drive on level ground.
- Do not drive the vehicle into loose dirt, mud, sand, fine gravel, or on wet surfaces.

## SPECIFICATIONS

<b>Overall Dimensions</b>	33.5"(L) x 19.5"(H) x 21"(H)
<b>Weight</b>	20 lbs.
<b>Weight Capacity</b>	44 lbs.
<b>Age Range</b>	3 - 6 years old
<b>Max Speed</b>	2.4 mph.
<b>Initial Charge Time</b>	12 hours
<b>Charging Time</b>	8 - 12 hours
<b>Run Time</b>	1 - 2 hours
<b>Battery Type</b>	12v 4.5Ah
<b>Electric Motor</b>	DC 12V
<b>Charger Input / Charger Output</b>	Input: 100V-240V AC / Output: DC 12V500mA
<b>Product Materials</b>	Polypropylene and Metal



## TOOLS REQUIRED



PHILLIPS  
SCREWDRIVER  
(NOT PROVIDED)



PLASTIC WRENCH  
(PROVIDED) (2)



44 LBS  
CAPACITY



2 PERSON  
ASSEMBLY



APPROXIMATELY  
45 MIN.  
ASSEMBLY

## HARDWARE

1

10MM SELF-  
TAPPING  
SCREWS



8 PCS

2

20MM SELF-  
TAPPING  
SCREWS

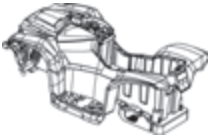


2 PCS

## PARTS

A

ATV BODY



1 PC

B

FRONT AXLE



1 PC

C

WHEEL



4 PCS

D

WHEEL COVER



4 PCS

E

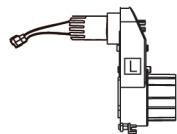
REAR AXLE



1 PC

F

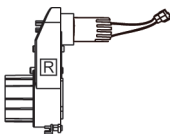
MOTOR L



1 PC

G

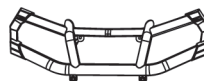
MOTOR R



1 PC

H

FRONT BUMPER



1 PC

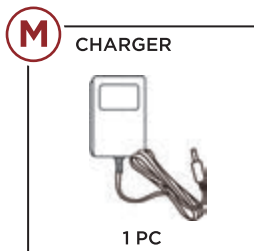
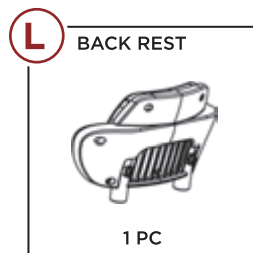
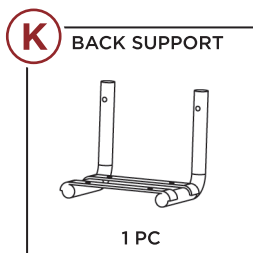
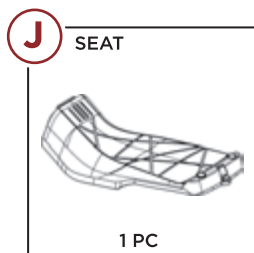
I

HANDLEBAR



1 PC

## PARTS



## USER INSTRUCTIONS

1. After completing the initial charge (see charging instructions), have the user sit on the designated seat.
2. Locate and engage the **on/off switch**.
3. This product has no braking capabilities, press and hold the **pedal** to make the ride on move forward; release the pedal to stop.

## CARING FOR YOUR RIDE-ON

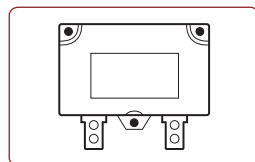
- Park the vehicle indoors or cover it with a tarp to protect it from wet weather.
- Do not leave the vehicle in the sun for long periods of time or fading may occur. Store in shade or cover with tarp.
- Do not wash the vehicle with a hose.
- Do not wash the vehicle with soap.
- Charge battery at least once a month to prolong the life of the battery.

## INSTRUCTIONS FOR THE RECOVERABLE FUSE

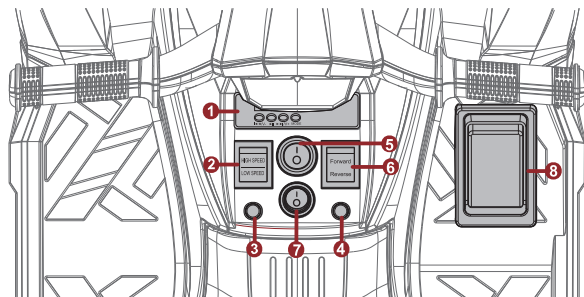
Resettable fuse: when the current exceeds a certain rating, the recoverable fuse will automatically cut off the power supply for less than one minute, then the current will be resupplied.

### **⚠**WARNING

**RISK OF FIRE.** Do not bypass fuse. This may overload and damage the electrical system. Replace only with original size and type.



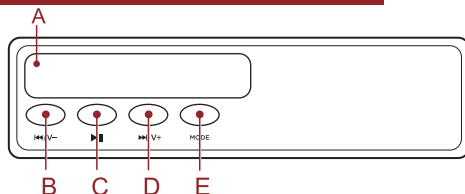
## DASHBOARD DIAGRAM



### 1. MP3 Multifunction Player

- 2. High/Low Speed:** Press the “high” or “low” to adjust the ATV speed.
- 3. Engine:** Press the button to activate the engine sound effect.
- 4. Horn:** Press the button to activate the horn sound effect.
- 5. Power:** Press the switch to “I” to turn the ATV on and “O” to turn it off.
- 6. Forward /Reverse:** Press the switch to move the ATV forward or backward.
- 7. Lights:** to “I” to turn the lights on and “O” to turn them off.
- 8. Foot Pedal:** This product has no braking capabilities; step on the pedal to make the ride on move forward; release the pedal to stop.

## MULTIFUNCTIONAL MP3 PLAYER



- A. Display:** Battery charge status is displayed here.
- B. Reverse/Volume (-):** Short press to play the previous song, long press to decrease volume.
- C. Play/Pause:** Short press to play music, long press to pause music.
- D. Forward/Volume (+):** Short press to play the next song, long press to increase volume.
- E. MODE:** Press to toggle between FM radio and Bluetooth.
- F. FM Radio:** Long press the play/pause to find a new radio station. Short press the forward/(+) to play the next radio station. Short press the reverse/(-) to play the previous radio station.

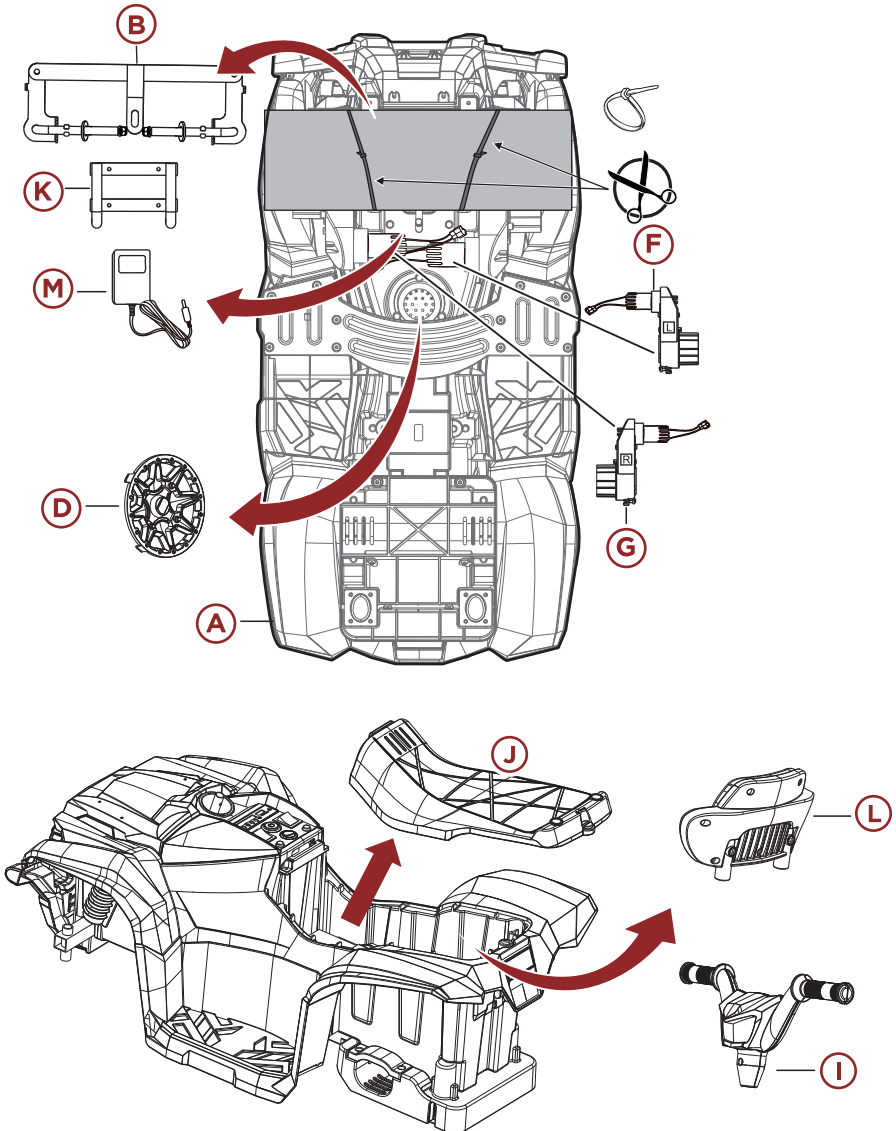
## BLUETOOTH

- Place your desired audio device near the media player and power the car on.
- Press **MODE** on the media player and wait until you hear “Bluetooth device is ready to pair.”.
- On your desired audio device, locate the Bluetooth settings and select the device named “Best Choice Products Ride On.”
- When the device states “Your Bluetooth device is connected successfully,” select the desired song.

## BEFORE ASSEMBLY

- Place the **part A ATV body** top side down on a flat, covered surface to prevent scratches, then carefully detach the cardboard container and remove the **part B front axle**.
- Remove the **part K back support**, **part N charger**, **part F & G motors**, and **part D wheel covers** from the ATV body.
- Flip the ATV body upright then turn the buckle on the back of the seat to remove the covering. Set the **part J seat** aside, then remove the **part L backrest** and **part I handlebars**.

Continue to PRODUCT ASSEMBLY section.

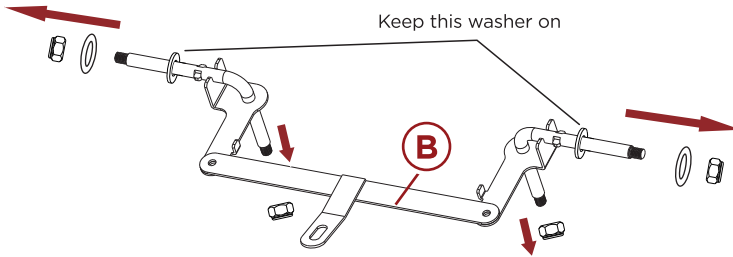


## PRODUCT ASSEMBLY

1

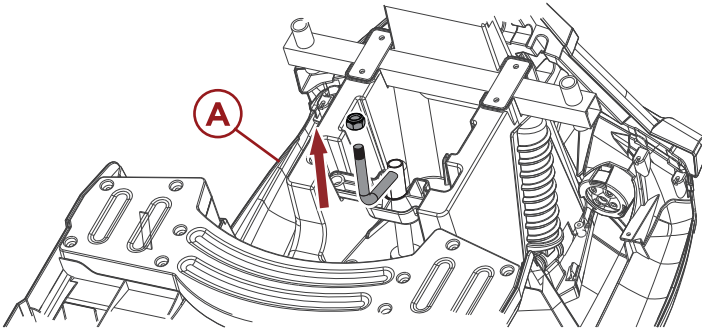
Locate the **part B front axle**.

Remove the following pre-assembled hardware: two end nuts and two washers from the wheel shafts, and two nuts from the connector tines. Leave one washer on each wheel shaft. Set the removed hardware aside.



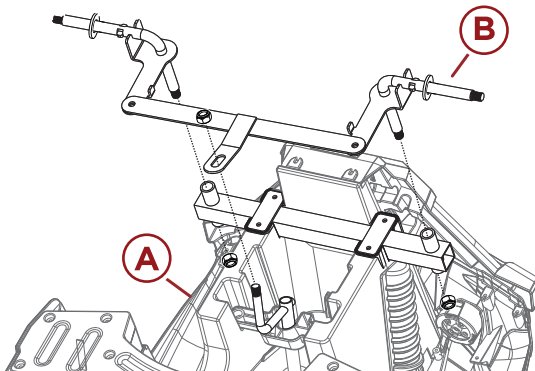
2

Locate and remove the nut on the bottom of the steering shaft in the **part A ATV body**.



3

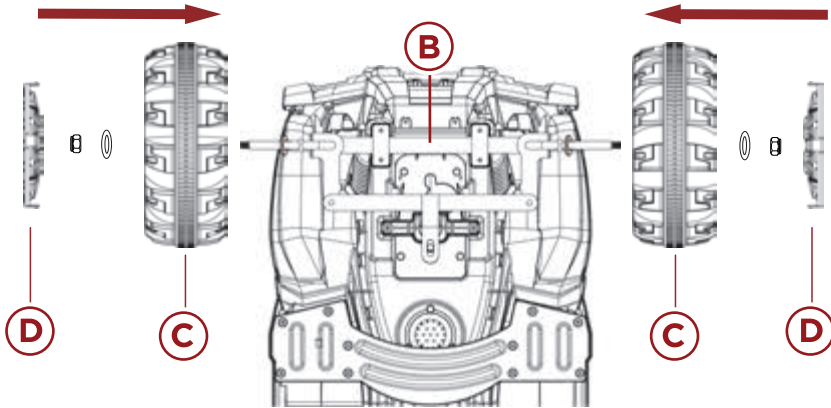
Thread the steering shaft through the lower opening of the **part B front axle** and guide the connector tines on the wheel shafts through the square shaft on the **part A ATV body**, secure with the three removed end nuts.



## PRODUCT ASSEMBLY

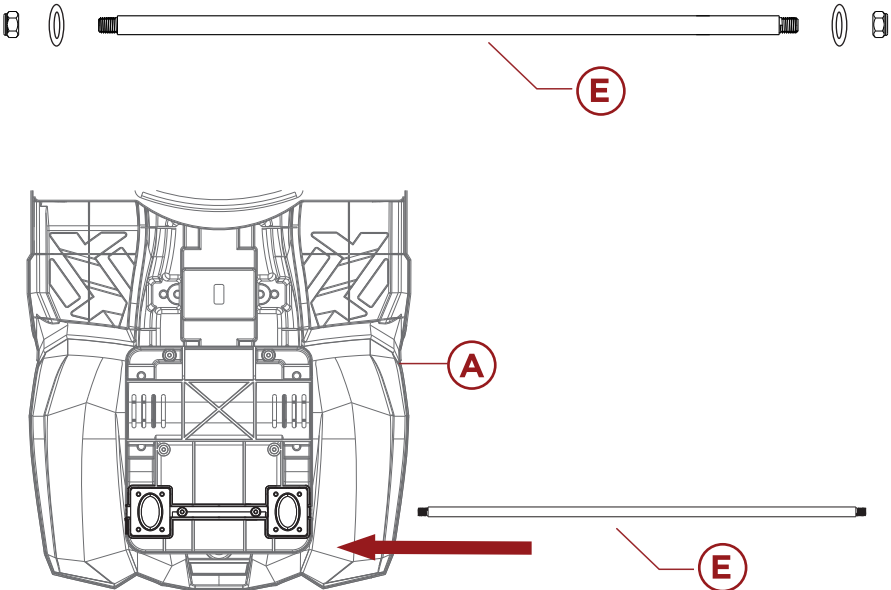
4

Attach two **part C wheels** to the **part B front axle**, then secure with the previously removed hardware. Cover each wheel with one **part D wheel cover**.



5

Locate the **part E rear axle** and remove the pre-assembled hardware. Slide the rear axle through the opening at the back of the **part A ATV body**.

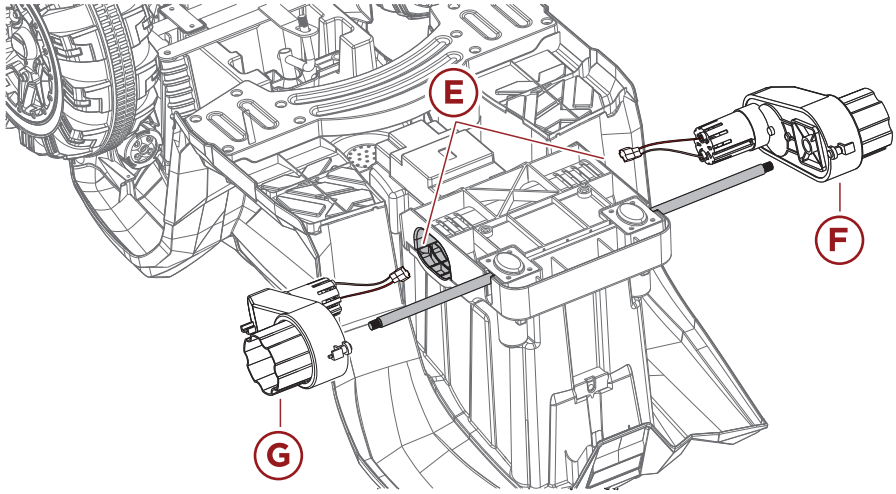


## PRODUCT ASSEMBLY

6

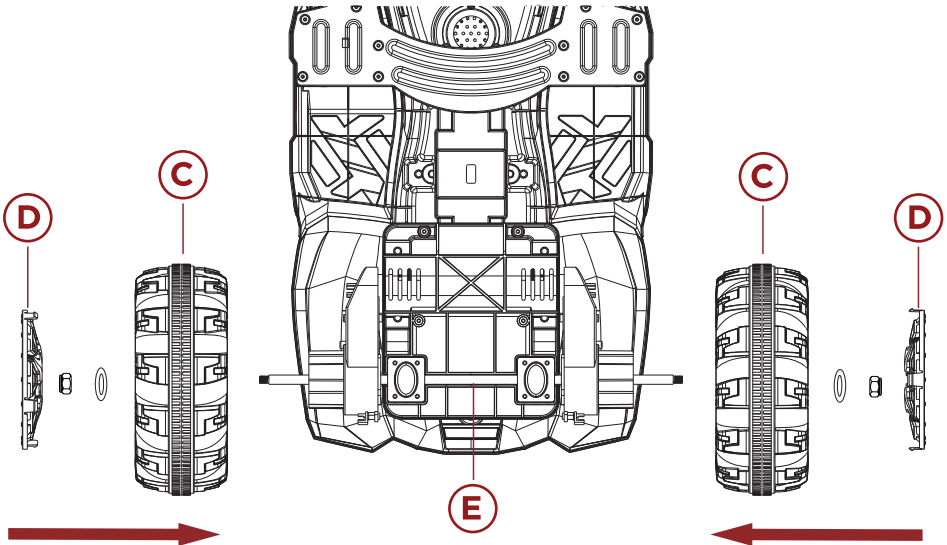
Slide the **part F & G motors** into their respective place on the **part E rear axle**. Insert the power connector on each motor to the terminal before pressing the motors into place.

Note: There is an R & L on the ATV body. Match them with the corresponding letters on the motors.



7

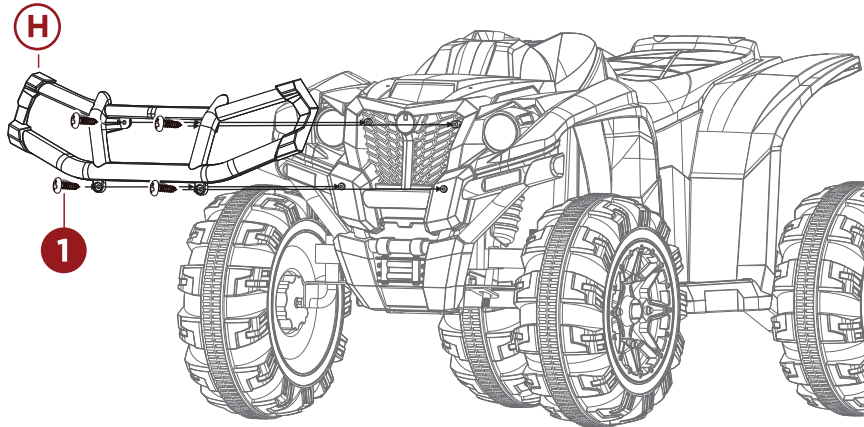
Attach two **part C wheels** to the **part E rear axle**, then secure with the previously removed hardware. Cover each wheel with one **part D wheel cover**.



## PRODUCT ASSEMBLY

8

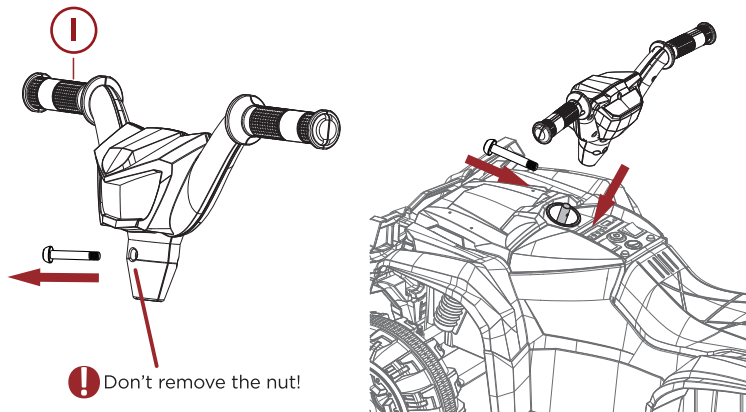
Flip the ATV upright, then attach the **part H front bumper** with four **part 1 screws**.



9

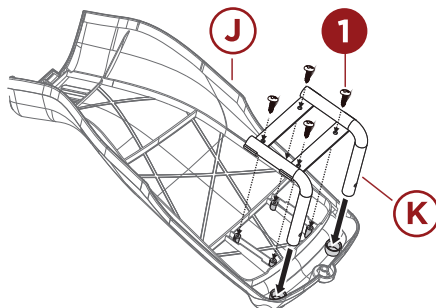
Locate the **part I handlebars** and remove the pre-assembled bolt, leaving the nut in the recess.

Insert the handlebars into the ATV body, then thread the handlebar shaft through the hole on the bottom of the bars. Reattach the hardware to secure.



10

Flip the **part J seat** upside down and attach the **part K back support** with four **part 1 screws**.

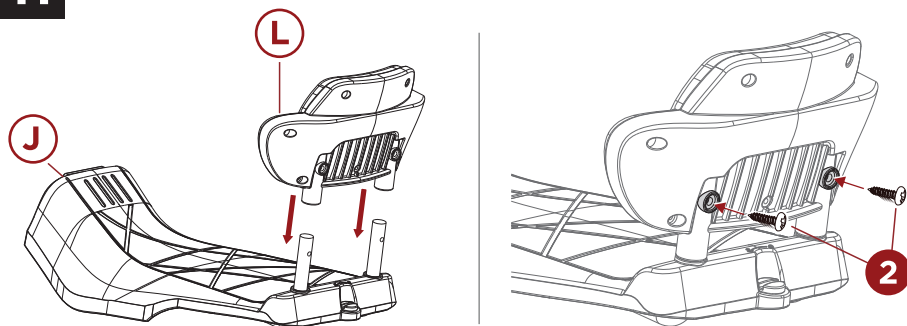




## PRODUCT ASSEMBLY

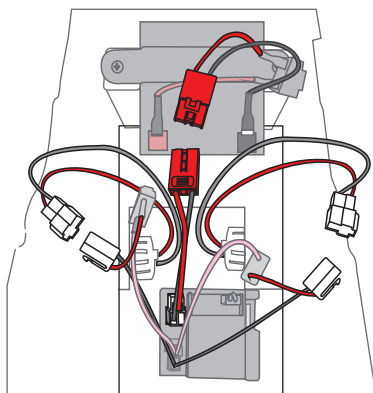
11

Flip the **part J seat** upright, then attach the **part L backrest** to the **part K back support** with two **part 2 screws**.



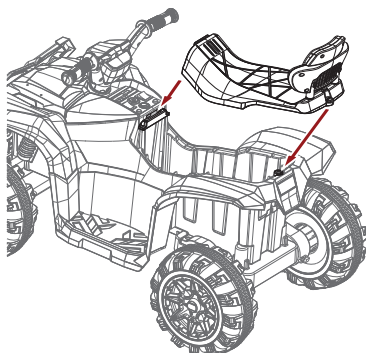
12

Locate The two motor connectors and connect them to the battery terminal. Then, locate the two red charging connector and connect it to the battery terminal.

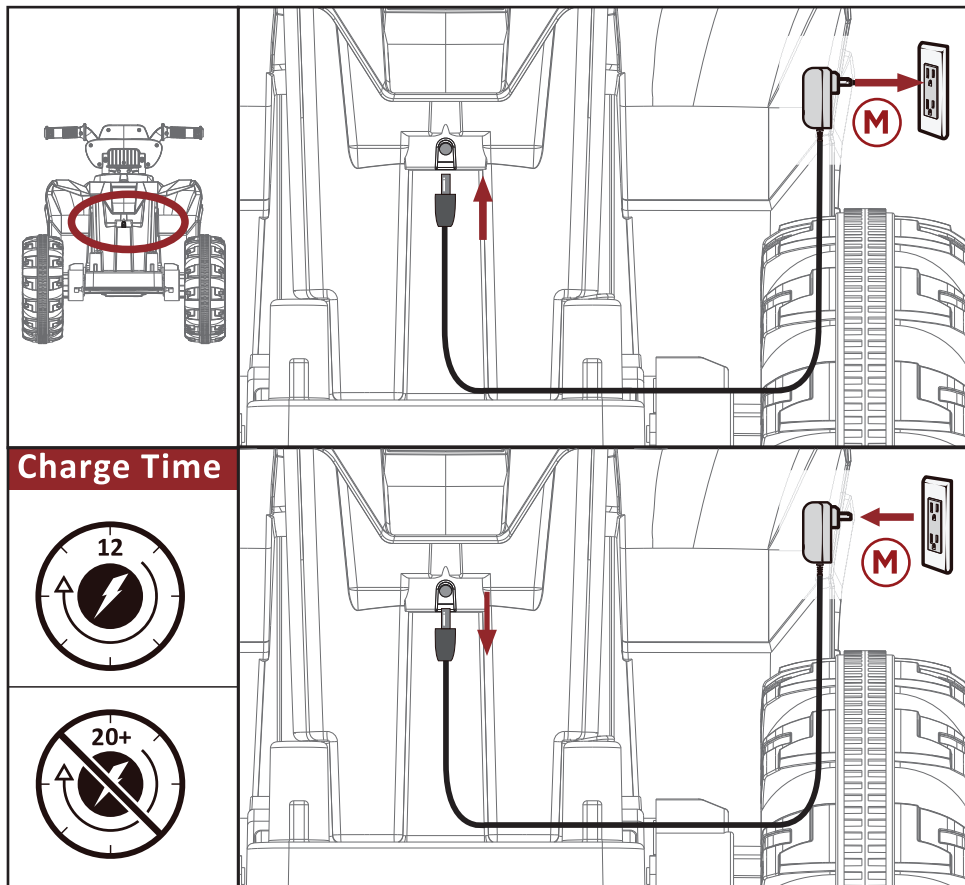


13

Return the **part J seat** and turn the knob at the rear clockwise to secure.



## CHARGING INSTRUCTIONS



1. Charging connector is located below the seat at the rear of the vehicle.
  2. Charge the battery 12 hours before initial use.
  3. When fully charged, unplug **part M charger** from the wall outlet, then unplug the charger from the ride-on.
- On average you will need to charge the battery between 8 and 12 hours. Do not charge the battery for more than 20 hours. Failure to charge the battery as directed could cause permanent damage to the battery and void the warranty.
  - Damage to the battery may occur if it is allowed to drain completely. Do not allow the battery to drain completely.
  - Check the battery charger (supply, cord, connector) for wear and damage before charging. Do not charge the battery if damage has occurred.
  - Only an adult who has read and understands the safety warning should handle, charge, and recharge the battery.

## TROUBLESHOOTING

Problem	Reason	Solution
Vehicle does not move	Low battery	Fully charge the battery
	Electrical protection	Stop use for several minutes and restart
	Switch not in the correct position	Completely press in switches
	Battery connectors disconnected	Plug in battery connectors
Battery does not recharge	Battery connectors disconnected	Plug in battery connectors
	Charger not connected to socket or outlet	Completely plug in the charger
Battery does not last	Battery does not have a full charge	Fully charge the battery
Battery is warm and makes a slight noise while charging	Normal	Normal
Slow speed	Low battery	Fully charge the battery
	Overloaded vehicle	Reduce the weight on the vehicle
	Uneven or sloped road	Drive on flat pavement
Vehicles shakes while driving	Loose connection to motor	Ensure the motor is properly connected to the battery
Vehicle is silent	Handle bars is not properly connected	Properly connect the steering wheel connector



# HELP CENTER



Question about your product? We're here to help. Visit us at:

[help.bestchoiceproducts.com](http://help.bestchoiceproducts.com)



Chat Support



Product Inquiry



Orders FAQ



Product Assembly



Returns & Refunds

## PRODUCT WARRANTY INFORMATION

All items can be returned for any reason within 60 days of the receipt and will receive a full refund as long as the item is returned in its original product packaging and all accessories from its original shipment are included. All returned items will receive a full refund back to the original payment method. All returned items will not be charged a re-stocking fee.

All returned items require an RA (Return Authorization) number, which can only be provided by a Best Choice Products Customer Service Representative when the return request is submitted. Items received without an RA may not be accepted or may increase your return processing time. Once an item has been received by Best Choice Products, refunds or replacements will be processed within 5 business days.

All returns must be shipped back to the Best Choice Products Return Center at the customer's expense. If the reason for return is a result of an error by Best Choice Products then Best Choice Products will provide a pre-paid shipping label via email. Boxes for return shipping will not be provided by Best Choice Products, and is the customer's responsibility to either use the original shipping boxes or purchase new boxes.

Pictures may be required for some returns to ensure an item is not damaged prior to its return. Items returned are not considered undamaged until they are received by Best Choice Products and verified as such. All damages to items are the customer's responsibility until the item has been received by and acknowledged by Best Choice Products as undamaged.

© 2023 Best Choice Products, Inc. All rights reserved. Distributed by Best Choice Products, Inc. Tustin, CA 92780

## WARNING

Manufacturer and seller expressly disclaim any and all liability for personal injury, property damage or loss, whether direct, indirect, or incidental, resulting from the incorrect attachment, improper use, inadequate maintenance, unapproved modification, or neglect of this product.