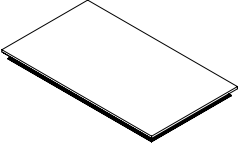
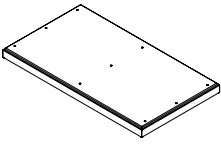
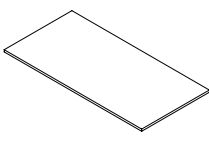
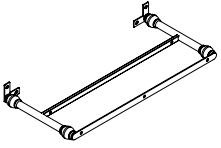
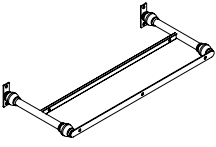
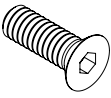
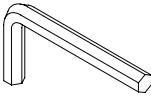
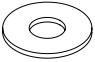
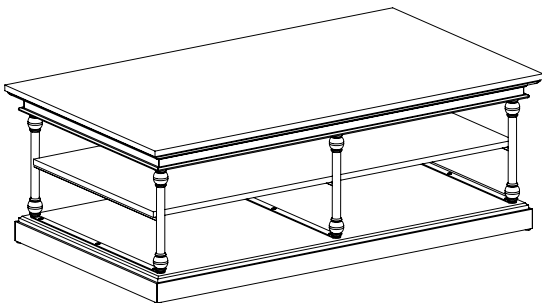


ASSEMBLY INSTRUCTION

COFFEE TABLE

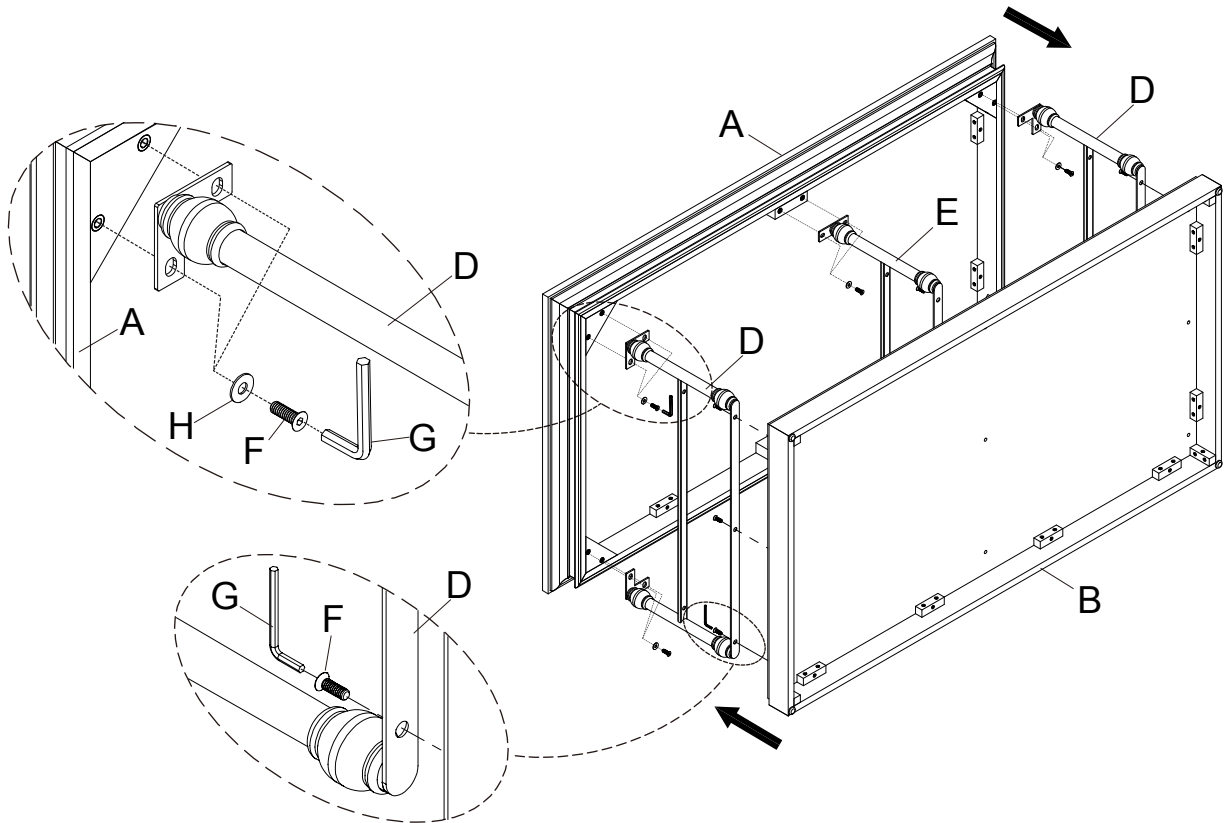
A Top Panel  1PC	B Bottom Panel  1PC	C Shelf  1PC	D Side Frame  2PCS
E Middle Frame  1PC	F Bolt 1/4"*3/4"  27PCS	G Allen Wrench 4MM  1PC	H Flat Washer 1/4" x Ø5/8"  12PCS



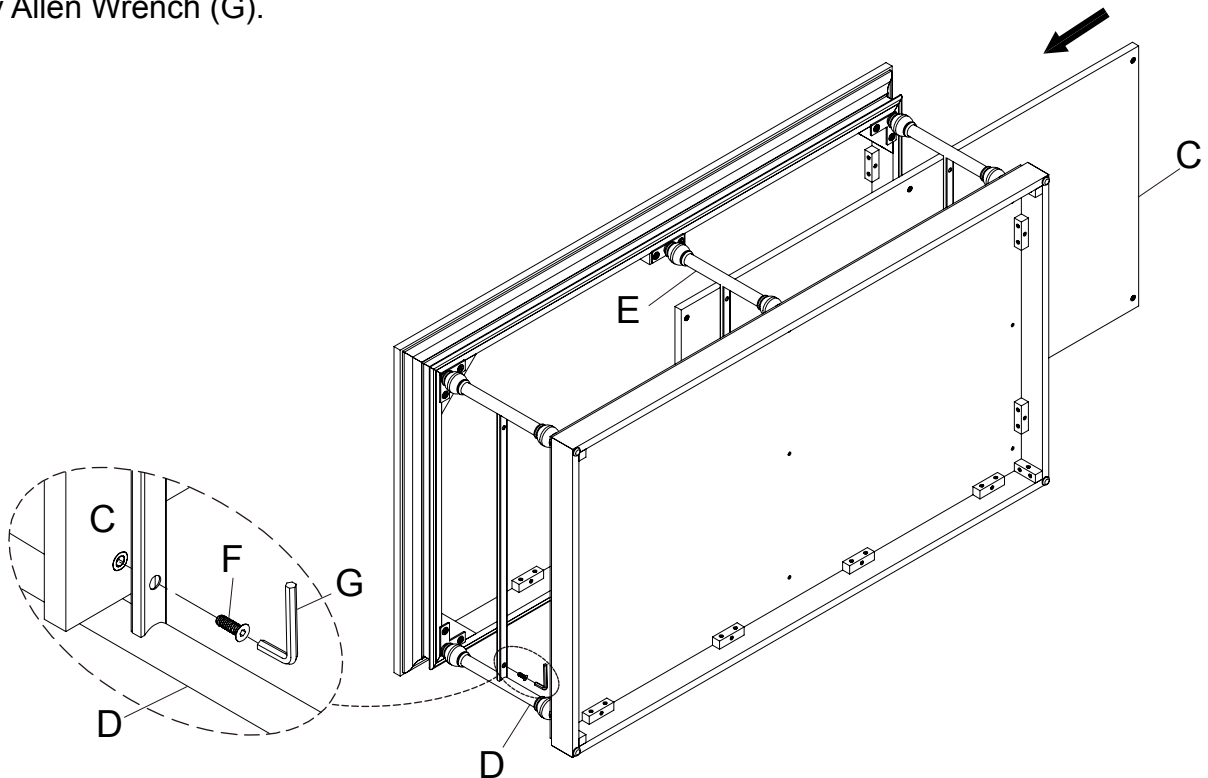
This page lists all the contents included in the box. Please take the time to identify the hardware as well as the individual components to this product. As you unpack and prepare for assembly, place the contents on a carpeted or padded area to protect them from damage.

***Do not tighten screws & bolts until the entire unit is completely assembled.

- 1** Assembly the Top Panel (A) and Bottom Panel (B) onto the Side Frame (D) and Middle Frame (E), then using the Bolt (F) and Flat Washer (H) by Allen Wrench (G).



- 2** Assembly the Shelf (C) onto the Side Frame (D) and Middle Frame (E) then using the Bolt (F) by Allen Wrench (G).



Cleaning & Care

Treat surface with care. Surface is resistant to scratches but is not scratch resistant. Clean surfaces with a dry or damp soft cloth. Do not use abrasive cleaners. Hardware may loosen over time.

Periodically check that all connections are tight.