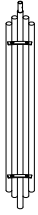


ASSEMBLY INSTRUCTIONS

BAR CART WITH GLASS TOP & BOTTOM

A Leg A



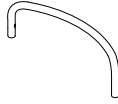
2pcs

B Leg B



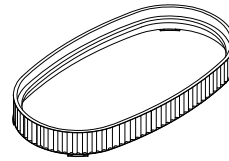
2pcs

C Armrest



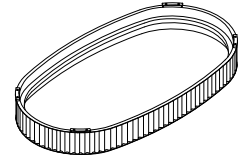
2pcs

D Upper Frame



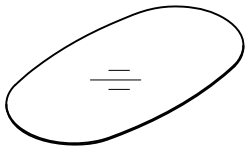
1pc

E Bottom Frame



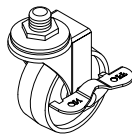
1pc

F Glass



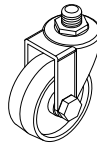
2pcs

G Caster with Brake



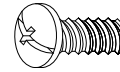
2pcs

H Caster



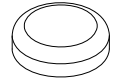
2pcs

I Bolt
 $\phi 3/16" \times 3/8"$



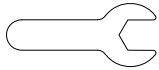
20pcs

J Glass Pad
 $\phi 1/2"$

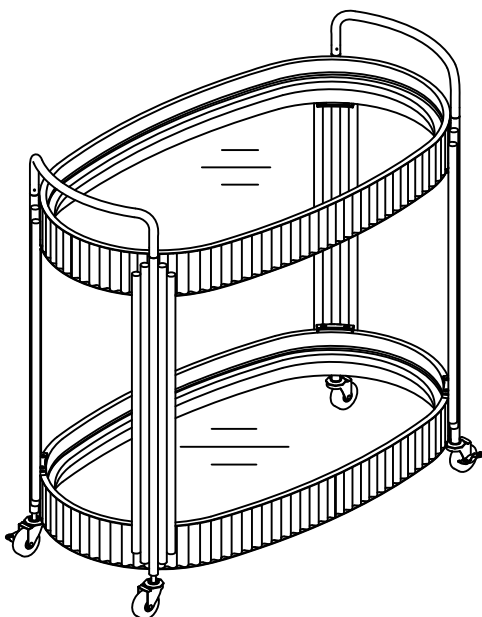


12pcs

K Wrench
 14 x 68 x 2mm



1pc



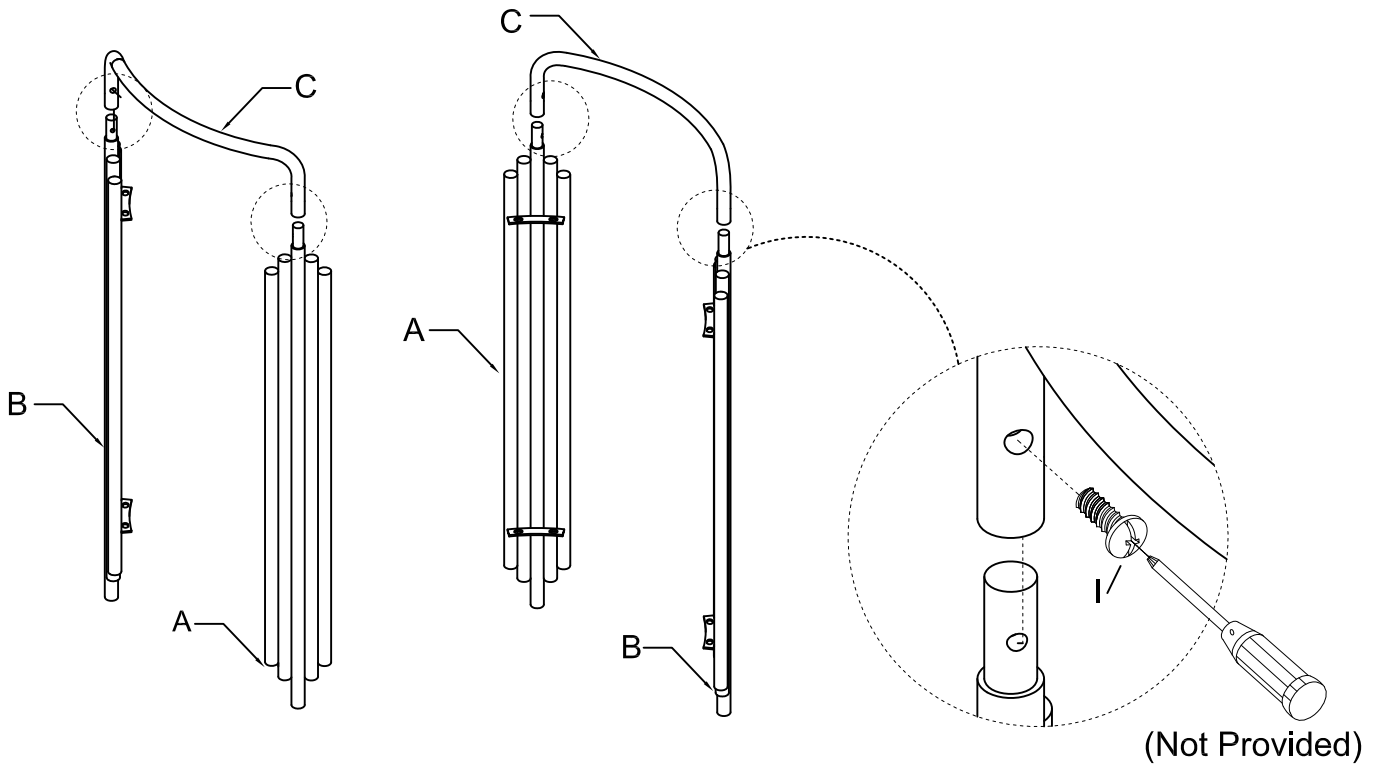
This page lists all the contents included in the box. Please take the time to identify the hardware as well as the individual components to this product. As you unpack and prepare for assembly, place the contents on a carpeted or padded area to protect them from damage.

Note:

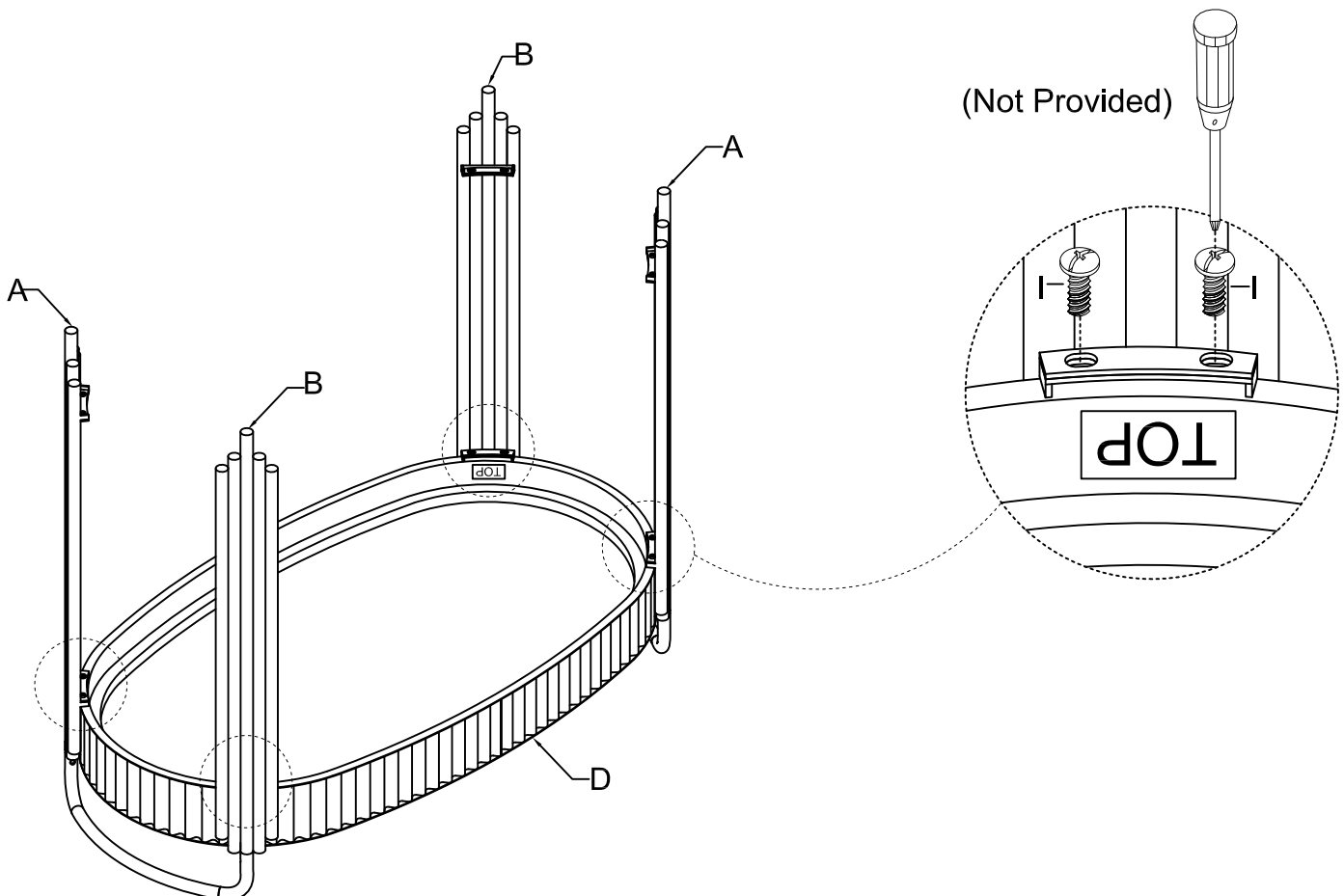
Do not fully tighten all bolts until the assembly is completed. This will help all parts to be assembled properly.

Two people are needed for assembly.

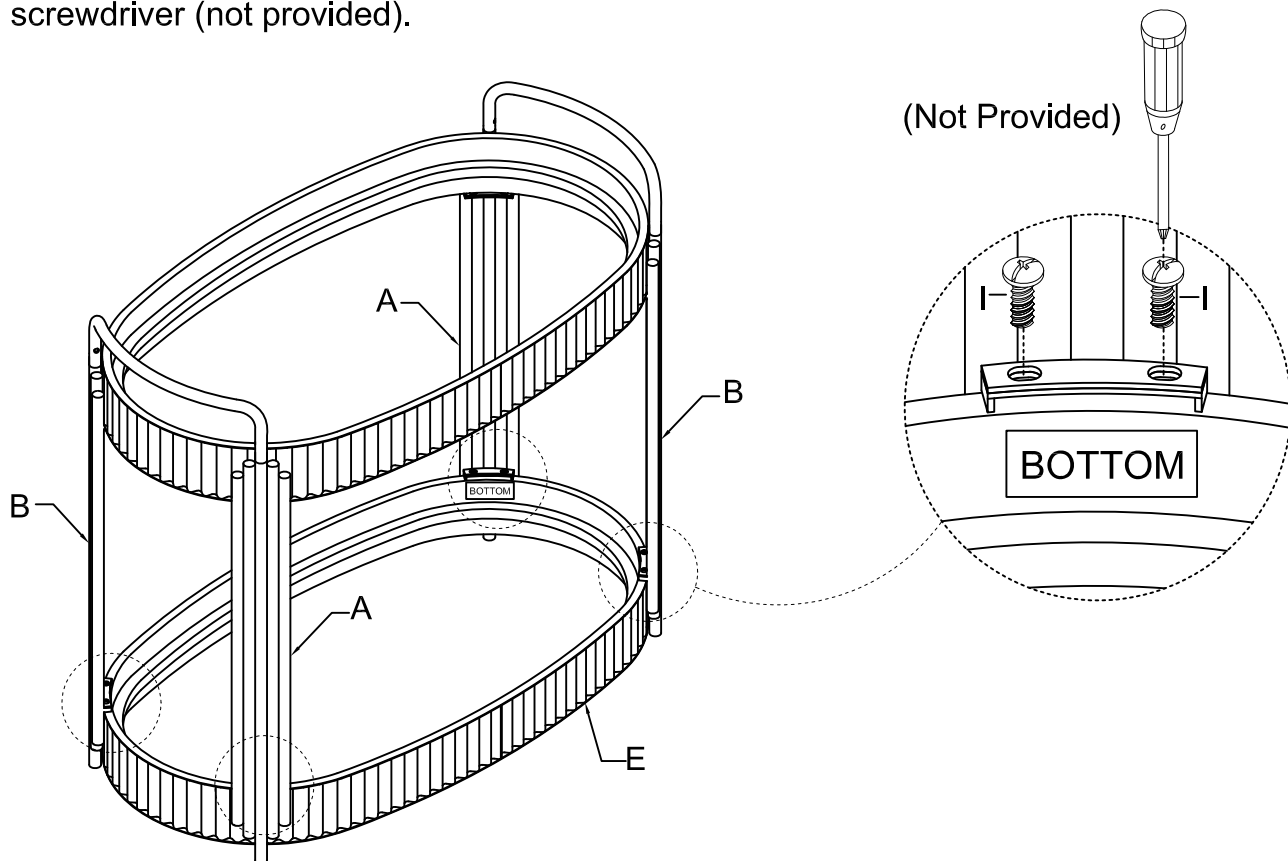
1 Attach the Leg (A & B) to the Armrest (C) using Bolt (I) with a screwdriver (not provided).



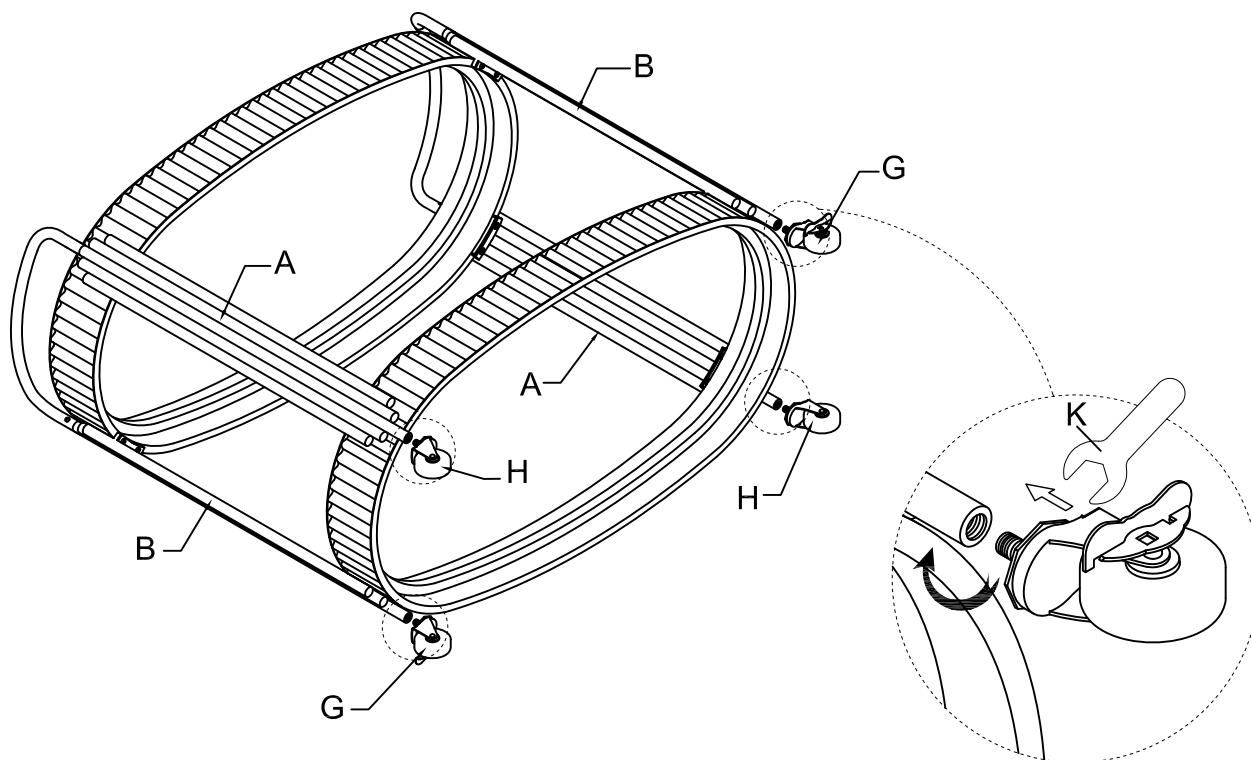
2 Attach the Leg (A & B) to the Upper Frame (D) using Bolt (I) with a screwdriver (not provided).



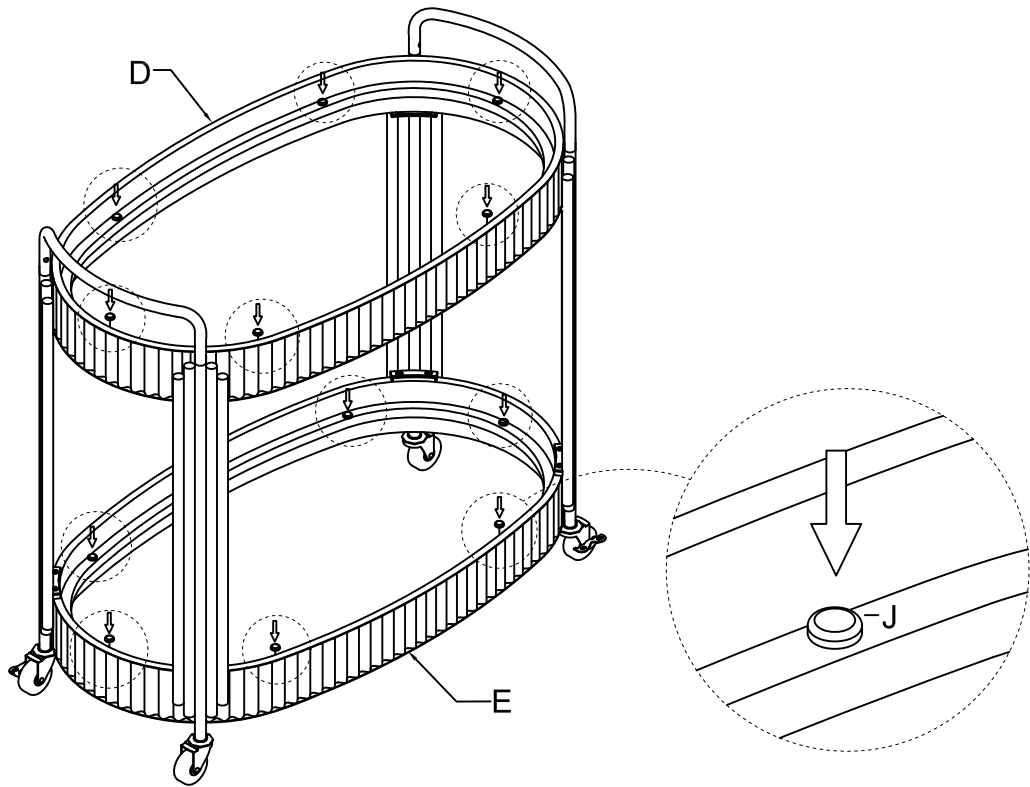
3 Stand the assembly unit upright. Attach the Bottom Frame (E) to the Leg (A & B) using Bolt (I) with a screwdriver (not provided).



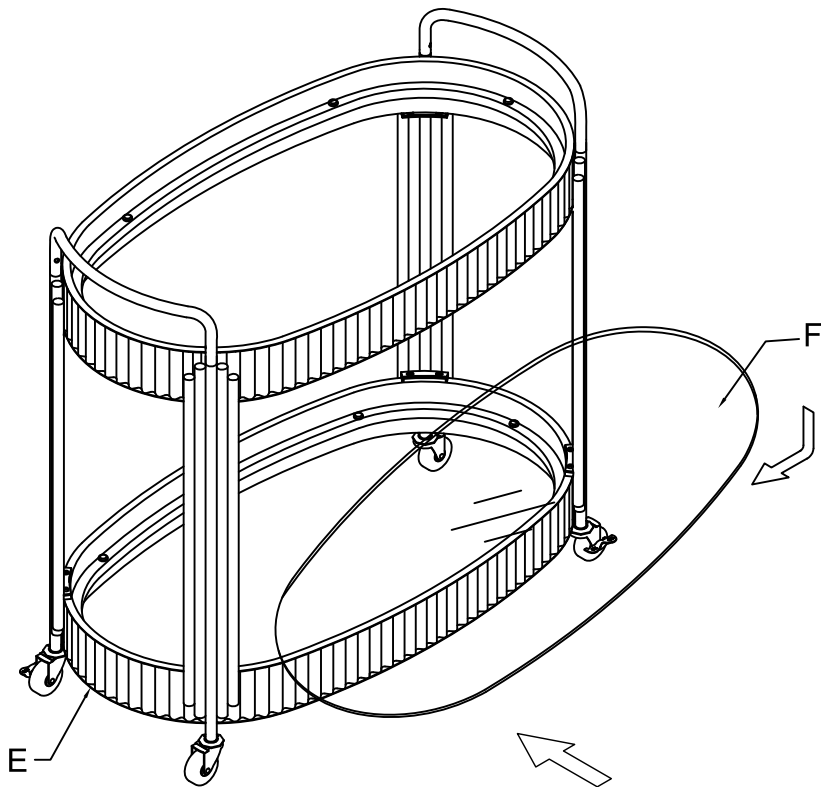
4 Turn the Caster (G & H) into the bottom of the Leg (A & B) with the Wrench (K).



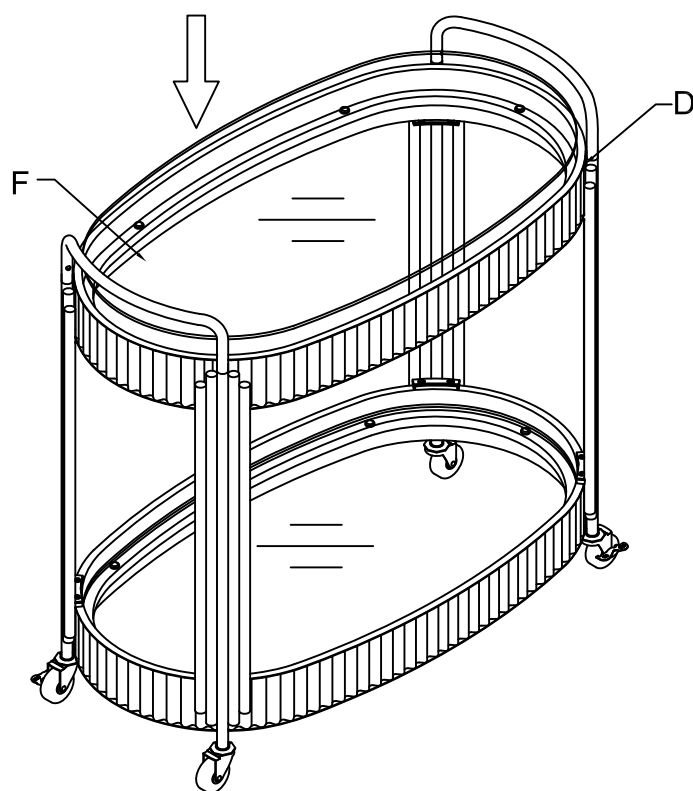
5 Attach Glass Pad (J) to the Upper & Bottom Frame (D & E) as shown.



6 Place the Glass (F) to the Bottom Frame (E) as shown.



7 Place the Glass (F) to the Upper Frame (D) as shown.



Cleaning & Care

Treat surfaces with care. Surfaces are resistant to scratches but are not scratch resistant. Clean surfaces with a dry or damp soft cloth. Do not use abrasive cleaners. Hardware may loosen over time. Periodically check that all connections are tight.