

# KALLISTA®

## KALLISTA Toilet Seat P70313-CP

### Features

- A selection of products within this collection is in stock and ready to ship. Please visit [kallista.com/resources#ReadyToShip](http://kallista.com/resources#ReadyToShip) for the complete list of Ready-to-Ship products and finishes
- High density molded wood construction
- High-quality solid-brass hinges for durability and reliability
- Includes slow-close hinges
- Ergonomically contoured for maximum comfort
- Elongated shape

### Recommended Products/Accessories

P70310-00 Two-Piece High-Efficiency Toilet, Less Seat



### Codes/Standards

None Applicable

### KALLISTA® Five-Year Limited Warranty

See website for detailed warranty information.

### Available Colors/Finishes

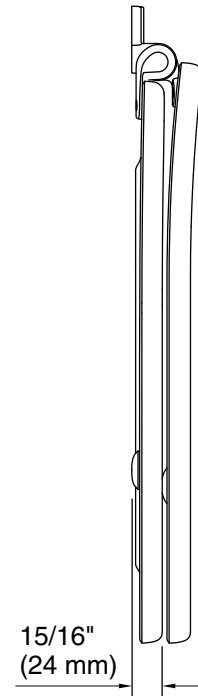
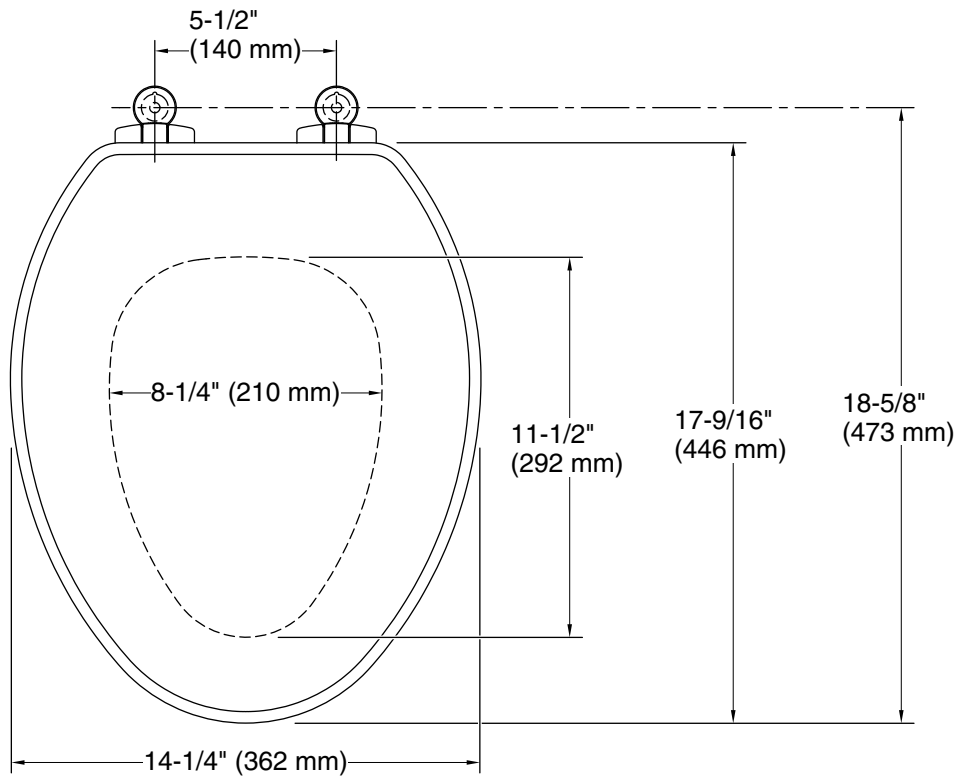
*Color tiles intended for reference only.*

Color	Code	Description
-------	------	-------------

	0	Stucco White
---	---	--------------

# KALLISTA

KALLISTA  
Toilet Seat  
P70313-CP



## Technical Information

All product dimensions are nominal.

Seat shape type: Elongated

Seat front type: Closed-front

## Pressure/fixture Supply Requirements

1-888-4-KALLISTA (1-888-452-5547)

Kallista reserves the right to make revisions without notice to product specifications.

For the most current Specification Sheet, go to [www.kallista.com](http://www.kallista.com).

3-2-2026 20:02 - US