



# ASSEMBLY INSTRUCTION

ITEM#:1757/1757SV QUEEN BED







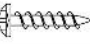
1757/1757SV-1 QUEEN BED HEADBOARD

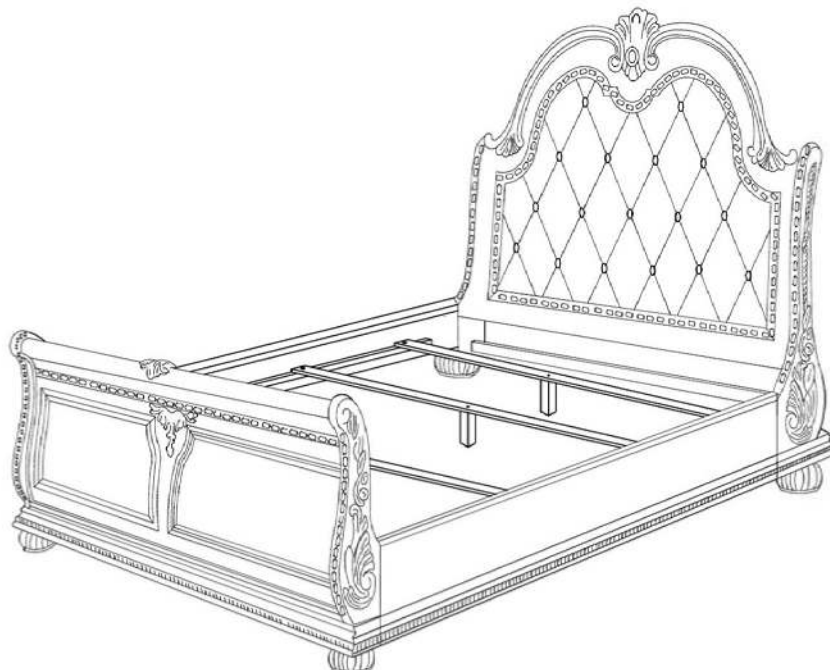
1757/1757SV-2 QUEEN BED FOOTBOARD & SLATS

1757/1757SV-1P QUEEN BED HEADBOARD POSTS

1757/1757SV-3 QUEEN RAILS

| PART LIST |                       |      |
|-----------|-----------------------|------|
| 1         | HEADBOARD             | 1PC  |
| 2         | HEADBOARD POST LSF    | 1PC  |
| 3         | HEADBOARD POST RSF    | 1PC  |
| 4         | HEADBOARD SUPPORT BAR | 1PC  |
| 5         | FOOTBOARD             | 1PC  |
| 6         | RAIL                  | 2PCS |
| 7         | SLAT                  | 3PCS |
| 8         | SUPPORT LEG           | 3PCS |
| 9         | BUN FOOT              | 4PCS |
| 10        | TOP CROWN OF HB       | 1PC  |

| HARDWARE LIST IN -1P |   |                             |       |
|----------------------|---|-----------------------------|-------|
| A                    |    | BOLT 5/16 "x 1-1/4"         | 2PCS  |
| B                    |    | BOLT 5/16 "x 1-3/4"         | 10PCS |
| C                    |    | SPRING WASHER 5/16"         | 12PCS |
| D                    |    | FLAT WASHER 5/16"           | 12PCS |
| E                    |    | ALLEN KEY 5MM               | 1PC   |
| HARDWARE LIST IN -3  |   |                             |       |
| F                    |    | THREADED STUD 5/16"x 3-1/2" | 8PCS  |
| G                    |   | NYLON WASHER 5/16"          | 8PCS  |
| H                    |  | HEX NUT 5/16"               | 8PCS  |
| I                    |  | WRENCH 5/16"                | 1PC   |
| J                    |  | SCREW #8x1-1/4"L            | 6PCS  |





# ASSEMBLY INSTRUCTION

ITEM#:1757/1757SV QUEEN BED

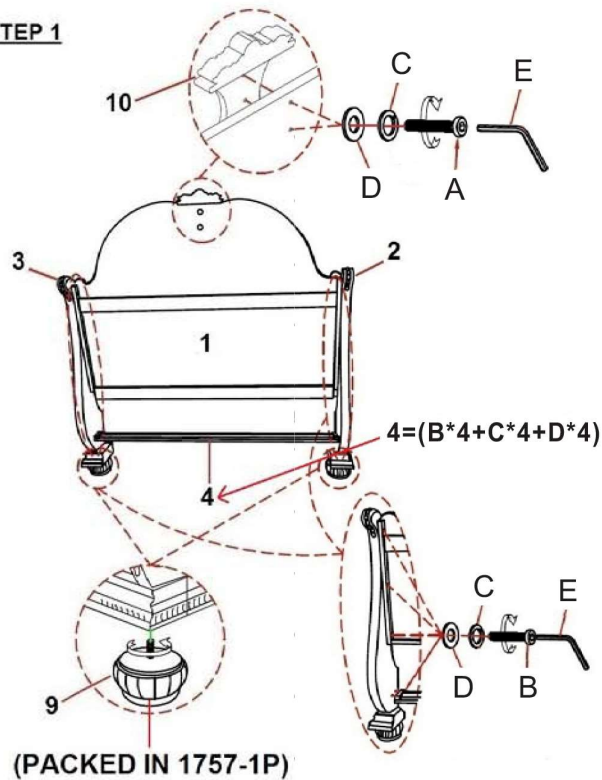
1757/1757SV-1 QUEEN BED HEADBOARD

1757/1757SV-2 QUEEN BED FOOTBOARD & SLATS

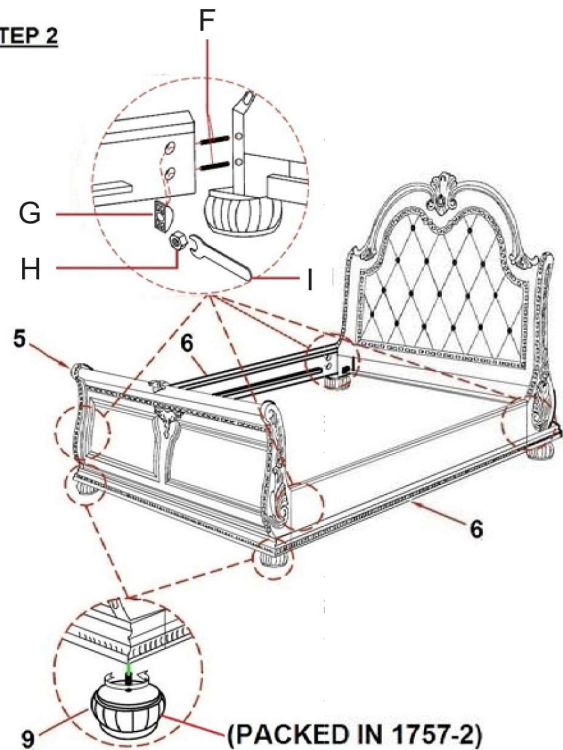
1757/1757SV-1P QUEEN BED HEADBOARD POSTS

1757/1757SV-3 QUEEN RAILS

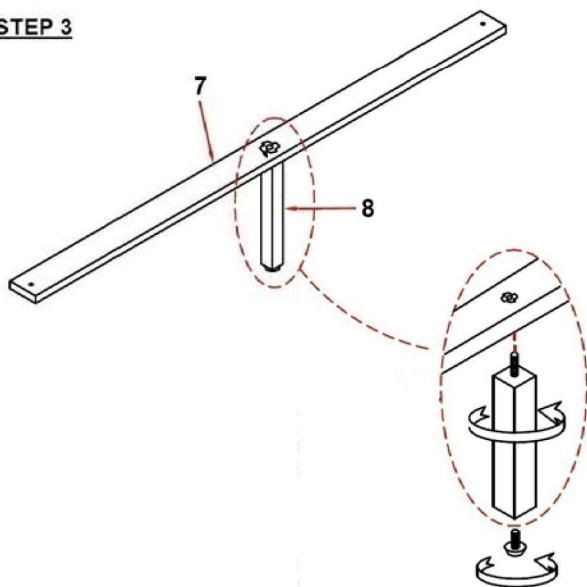
## STEP 1



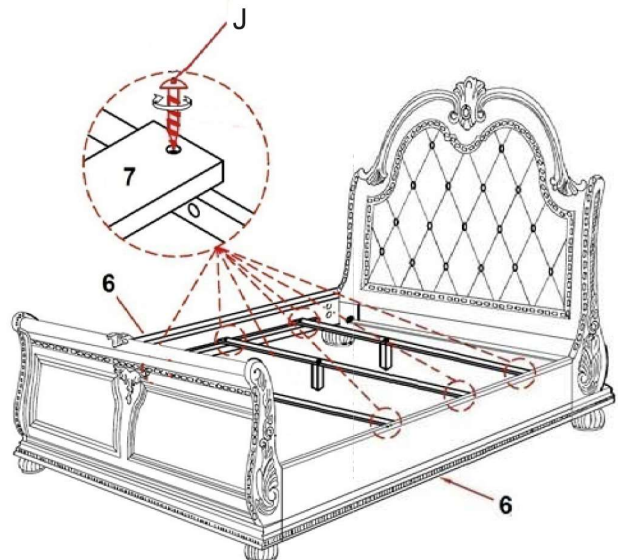
## STEP 2



## STEP 3



## STEP 4



For item use on wooden floor, hard surfaces or carpets, it is recommended to Install protective pads under all legs and support to avoid/prevent from damages/scratches and discoloration.