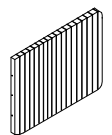
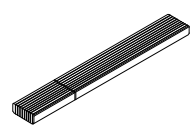
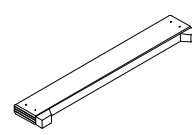
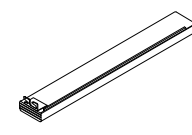
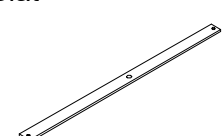
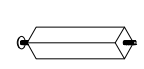
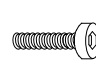


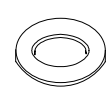
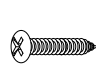

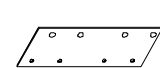
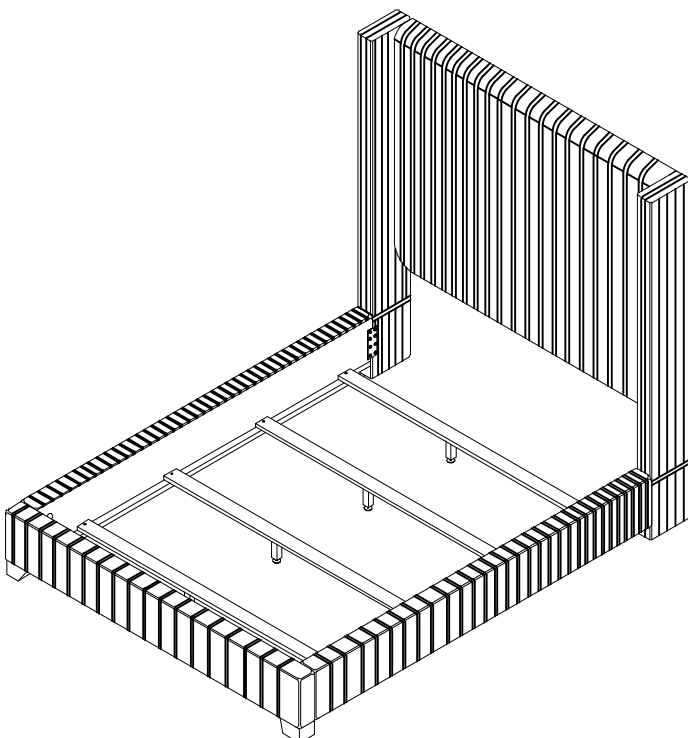


ASSEMBLY INSTRUCTION

FULL BED QUEEN BED

A Headboard  1 pc	B H/B Poster (L & R)  2 pcs	C Footboard  1 pc	D Side Rail  2 pcs
E Slat  4 pcs	F Support Leg  4 pcs	G Allen Bolt $\text{Ø}5/16'' \times 45\text{mm}$  16 pcs	H Allen Bolt $\text{Ø}5/16'' \times 63\text{mm}$  6 pcs
I Spring Washer $\text{Ø}5/16''$  22 pcs	J Flat Washer $\text{Ø}5/16'' \times 19\text{mm}$  22 pcs	K Screw $\text{Ø}8 \times 30\text{mm}$  8 pcs	L Allen Key 4mm  1 pc
M Rectangle Plate $220 \times 80 \times 3\text{mm}$  2 pcs			



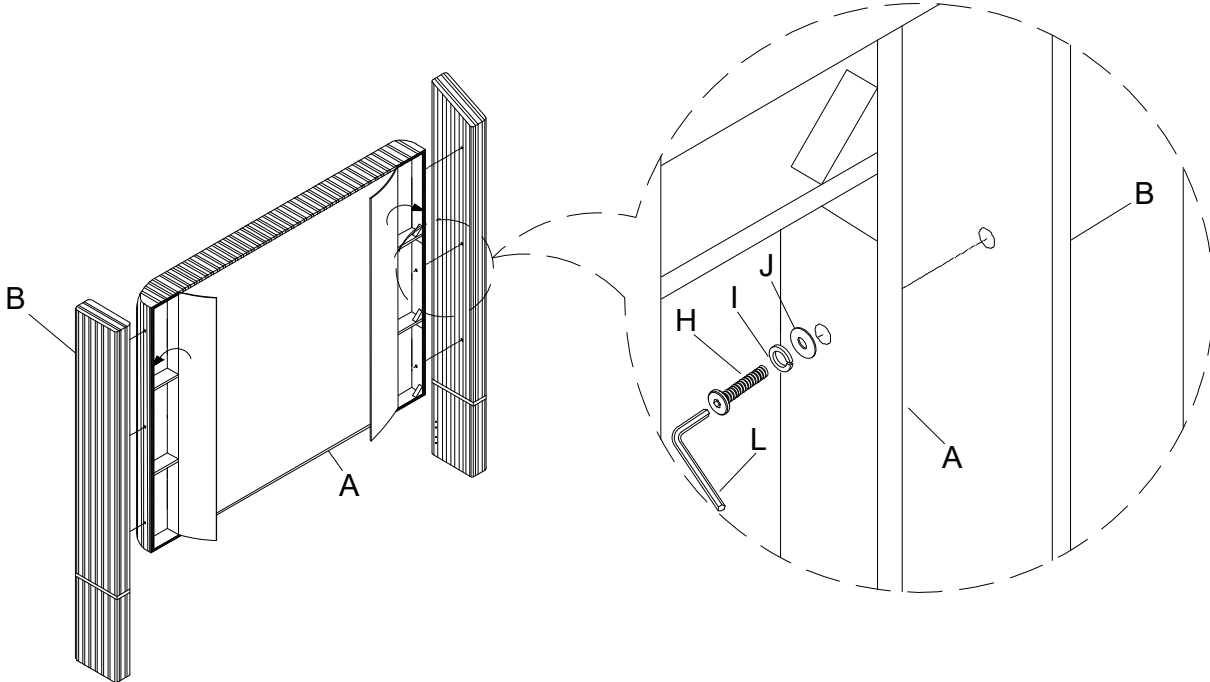
This page lists all the contents included in the box. Please take the time to identify the hardware as well as the individual components to this product. As you unpack and prepare for assembly, place the contents on a carpeted or padded area to protect them from damage.

IMPORTANT NOTE:

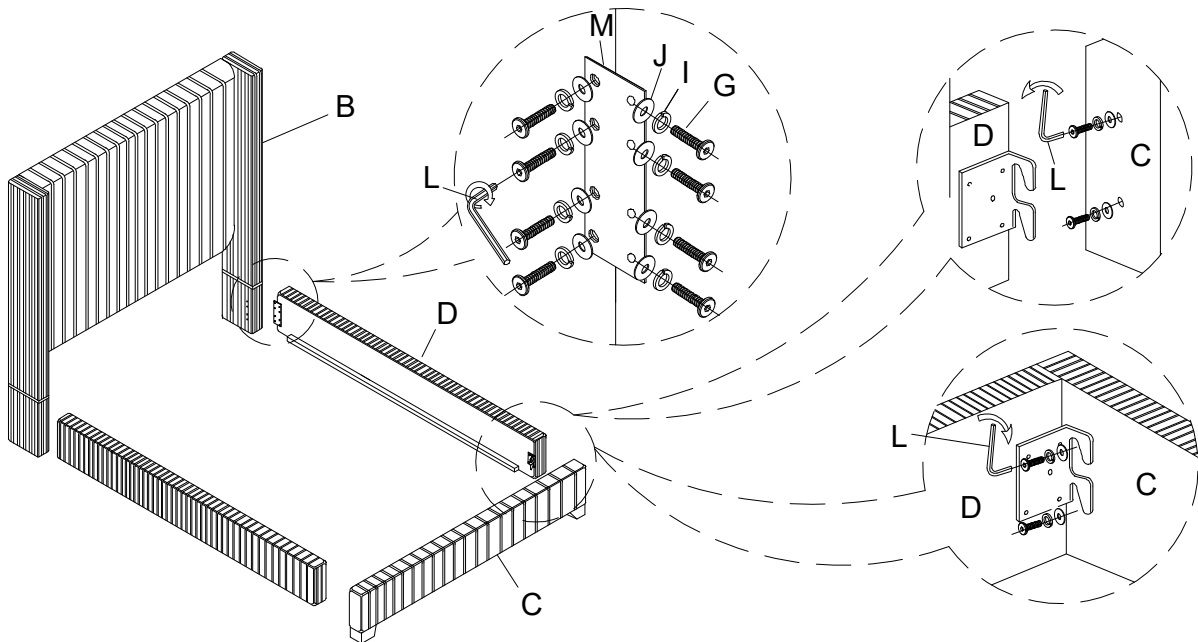
1. Do not tighten all screws / bolts until all completely assembled.
2. Keep all hardware parts out of reach of children.

***** Do not tighten screws & bolts until the entire unit is completely assembled.**

- 1** Attach H/B Poster (L & R) (B) to Headboard (A) by using Allen Bolt (H), Spring Washer (I) and Flat Washer (J), tightening with Allen Key (L).

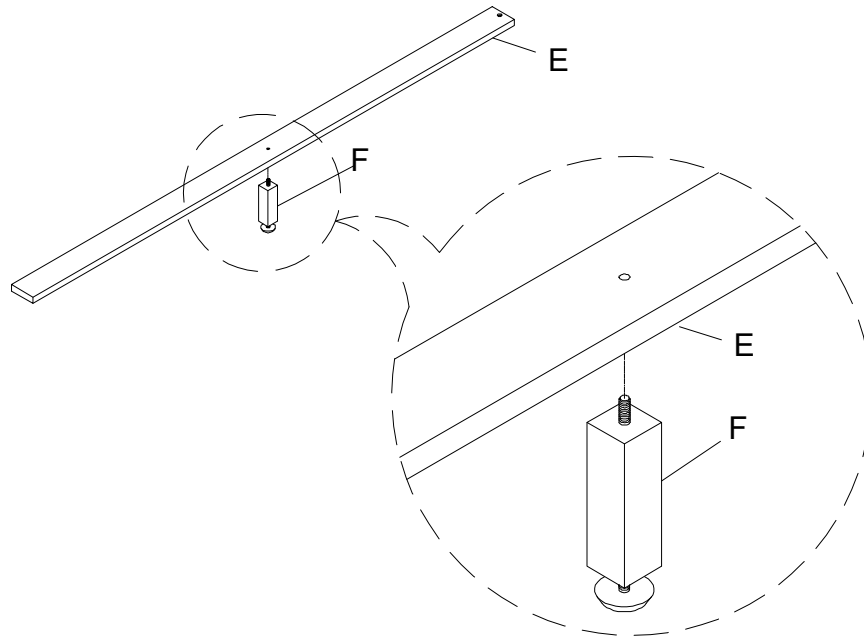


- 2** Attach Rectangle Plate (M) to the Side Rail (D) and H/B Poster (L & R) (B) by using Allen Bolt (G), Spring Washer (I) and Flat Washer (J). Unfasten bolts on Footboard (C), then attach Side Rail (D) to Footboard (C) and tighten all bolts with Allen Key (L).

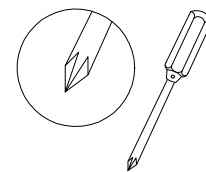
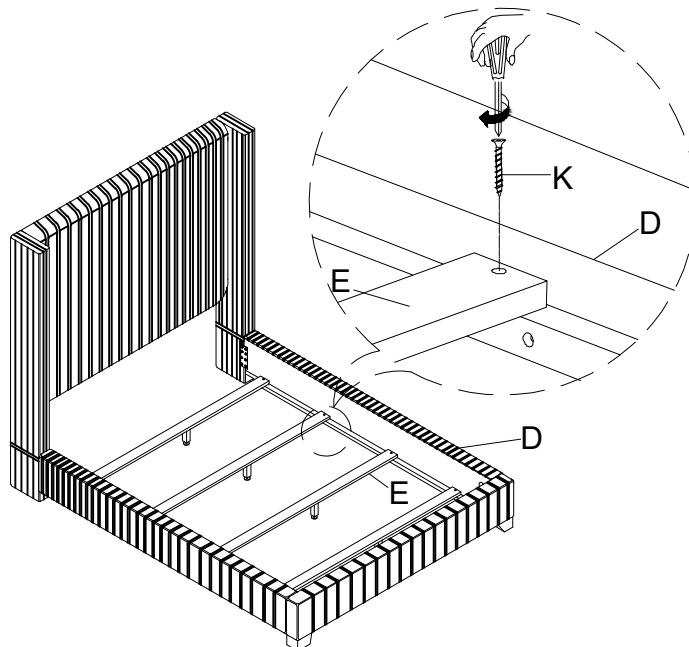


***** Do not tighten screws & bolts until the entire unit is completely assembled.**

3 Attach Support Leg (F) to Slat (E).



4 Attach Slat (E) to Side Rail (D) by using Screw (K) and Screw Driver (not included).



Phillips head screwdriver (not included) is required for assembly. Use the Phillips head screwdriver to tighten the wood screws.

Cleaning & Care

Treat surface with care. Surface is resistant to scratches but is not scratch resistant. Clean surfaces with a dry or damp soft cloth. Do not use abrasive cleaners. Hardware may loosen over time. Periodically check that all connections are tight.