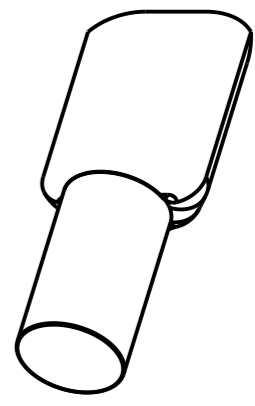
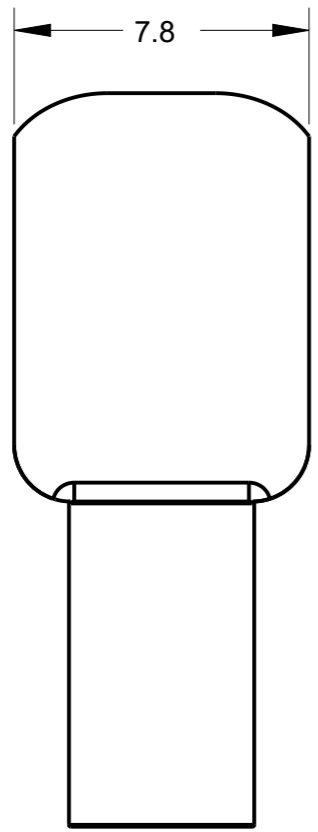
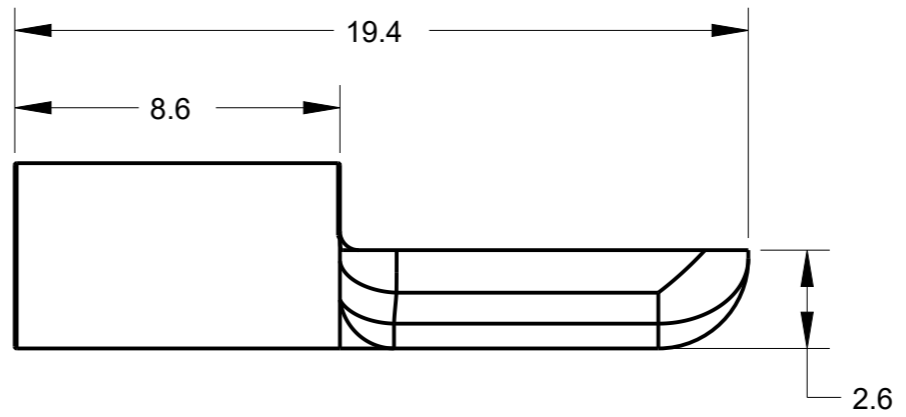
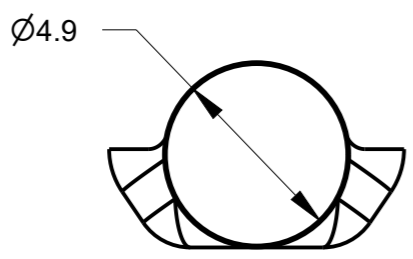


8 7 6 5 4 3 2 1

F
E
D
C
B
A



ITEM	FINISH
1306AB	ANTIQUÉ BRASS
1306AC	ANTIQUÉ COPPER
1306BLK	BLACK
1306BN	BRIGHT NICKEL
1306PB	POLISHED BRASS



HARDWARE RESOURCES RESERVES THE RIGHT TO CHANGE SPECIFICATIONS WITHOUT NOTICE. IN CASE OF A DISCREPANCY, ACTUAL PART GEOMETRY SUPERSEDES THIS DOCUMENT.

THE INFORMATION CONTAINED WITHIN THIS DRAWING IS THE SOLE PROPERTY OF HARDWARE RESOURCES INC. ANY REPRODUCTION IN PART OR WHOLE WITHOUT WRITTEN PERMISSION OF HARDWARE RESOURCES INC. IS PROHIBITED.

DOCUMENT STATUS Released	
UNLESS OTHERWISE SPECIFIED DIMENSIONS ARE IN MILLIMETERS (MM)	
MATERIAL STEEL	FINISH SEE TABLE
THIRD ANGLE PROJECTION	DATE 16JUN2022

DESCRIPTION SHELF PIN, 5mm, SPOON		
DRAWING NUMBER 1306		REV B
SIZE A3	SCALE 5.000	SHEET 1 / 1

8 7 6 5 4 3 2 1