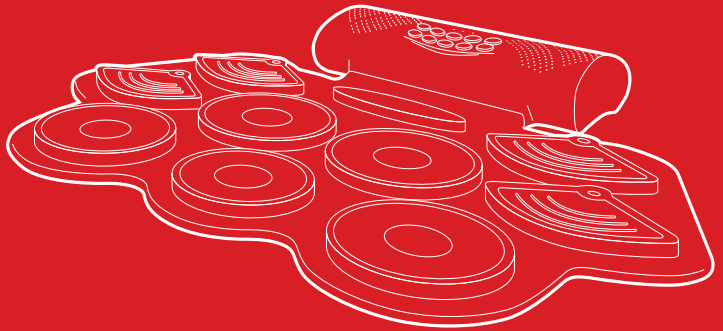




bestchoiceproducts



# INSTRUCTION MANUAL

---

Foldable Electronic  
Drum Pad



bestchoiceproducts

---

As shoppers, we're always trying to find the perfect balance between quality & value. At BCP, we believe we've achieved that. Our diverse catalog of everyday essentials is tailored especially to our customers & guaranteed to hit that sweet spot of high quality & low price.

— Always. —

## **!** NOTICE

Please retain these instructions for future reference.

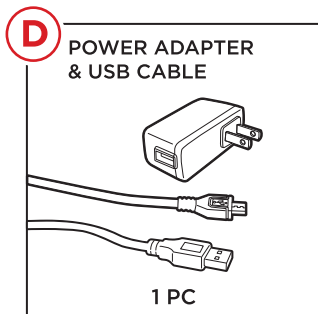
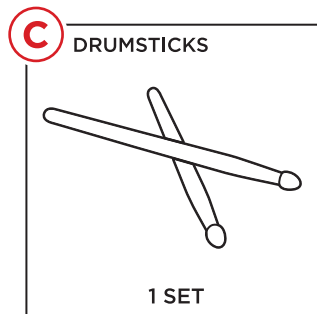
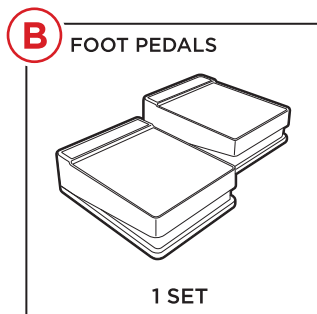
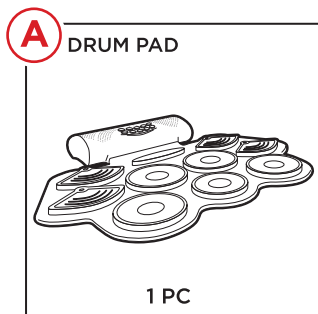
- Keep drum pad level when in use.
- This unit contains rechargeable batteries.
- Keep this unit out of the reach of unsupervised children.
- If any parts are missing, broken, damaged, or worn, stop using this product until repairs are made and/or factory replacement parts are installed.
- Do not use this item in a way inconsistent with the manufacturer's instructions as this could void the product warranty.

**AGE RANGE:** 3 years old and up

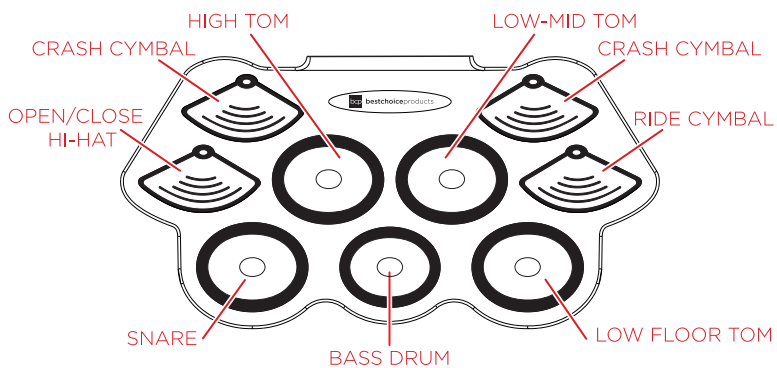
## **WARNING**

- Do not immerse this appliance in water, rinse under tap, spray with water, or keep in wet/humid areas.
- Do not use this product in an excessively humid or dusty environment.
- Keep product away from direct sunlight and other sources of heat (stove, heater, etc.).
- Do not place in an area with strong electric waves.
- Do not place heavy objects on the drum pad as it could damage the item.
- Do not pull or twist the drum pad or body of the unit.
- Do not stand on any part of this unit.
- Do not use this unit as a placemat or coaster.
- Do not allow cords or wires to hang unattended, as it may be a tripping hazard.
- Do not unplug the unit by pulling on the power cord. Always grasp the plug firmly and pull straight from the outlet.
- Do not use any accessory or attachment other than original accessories and attachments.
- Do not tamper with the wiring of the product as it may damage the parts.
- Do not open the unit; there are no user serviceable parts.
- When finished, drum pad can be loosely rolled up for storage; do not tightly roll product.

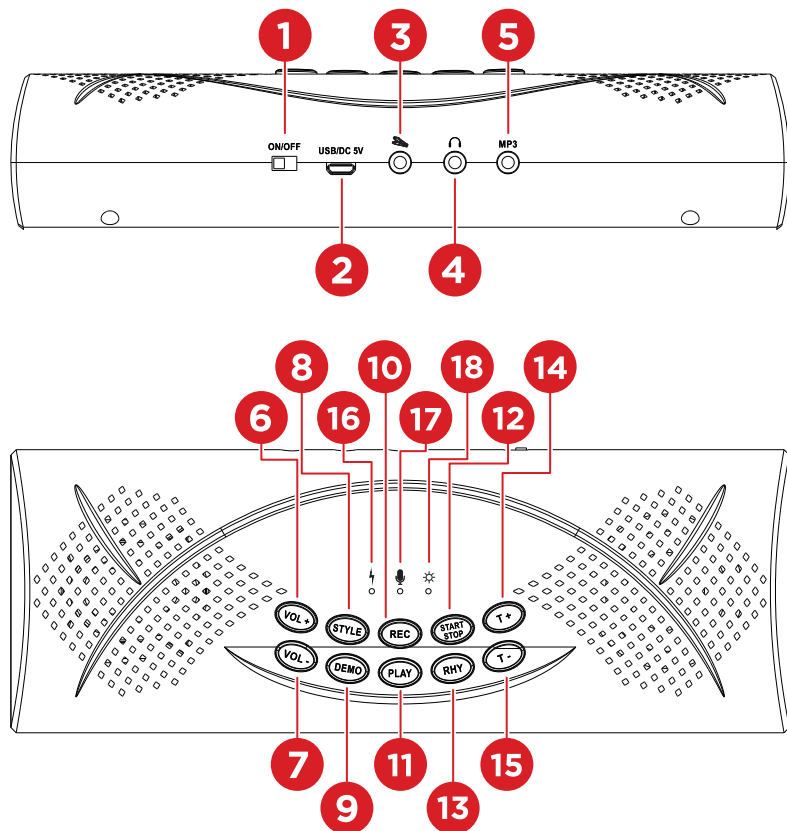
## PARTS



## DRUM PAD DIAGRAM



## CONTROL PANEL DIAGRAM



- |   |  |
|---|--|
| 1. Power  | 10. Record: Press to record drumming                   |
| 2. Micro-USB input (for power)                      | 11. Play: Play recorded drumming                       |
| 3. Pedal input                                      | 12. Start/Stop: Press to start/stop music or recording |
| 4. Headphone input                                  | 13. Rhythm: Cycle through different demo rhythms       |
| 5. AUX input  | 14. Tempo +: Increase tempo of music                   |
| 6. Volume +   | 15. Tempo -: Decrease tempo of music                   |
| 7. Volume -   | 16. Charging indicator                                 |
| 8. Drum sounds: Cycle through different drum sounds | 17. Recording indicator                                |
| 9. Demo: Cycle through demo songs                   | 18. Power indicator                                    |

## OPERATING INSTRUCTIONS

1. Switch power to the ON position and the power indicator will illuminate.
2. Use the volume buttons to adjust volume and control the sound feedback.
3. Use the part C drumsticks to strike the active zones on the drum pad.

## PEDAL INSTRUCTIONS

1. Insert part B foot pedals into the pedal input. Strike the “Open/Close Hi-Hat” pad and “Bass Drum” pad.
2. Step on the first foot pedal and strike the hi-hat to produce a “Closed” sound and step off the foot pedal to produce an “Open” sound.
3. Step on the second foot pedal and strike the bass drum to produce a dampened bass sound. Step off the foot pedal and strike the bass drum to produce an enhanced bass sound.

## BLUETOOTH SPEAKERS

1. Switch power to the ON position and speakers will automatically be ready to pair.
  - a. Unit will say “The Bluetooth is ready to pair.”
2. Pair music player with the Bluetooth network named “Konix Music”.
3. Play music through the built-in speakers.

## TROUBLESHOOTING

PROBLEM	REASON	SOLUTION
Power indicator not on	External power adapter or USB cable not plugged in correctly	Check for damage, ensure power adapter is correctly plugged in
Abnormal Sound	External power adapter voltage shortage	Check for damage, ensure power adapter is correctly plugged in
Pedal does not work	Pedal cable is not plugged in correctly	Check for damage, ensure power adapter is correctly plugged in
No Sound (headphones or Audio)	No Power	Check for damage, ensure power adapter is correctly plugged in
	Volume is not adjusted	Turn volume up
	Headphones are not plugged in correctly	Check for damage, ensure power adapter is correctly plugged in

## FCC COMPLIANCE STATEMENT

This device complies with part 15 of the FCC rules. Operation is subject to the following two conditions: (1) This product may not cause harmful interference, and (2) this device must accept any interference received, including interference that may cause undesired operation.

NOTE: This equipment has been tested and found to comply with the limits for a Class B digital device, pursuant to part 15 of the FCC Rules. These limits are designed to provide reasonable protection against harmful interference in a residential installation.

This equipment generates, uses, and can radiate radio frequency energy and, if not installed and used in accordance with the instructions, may cause harmful interference to radio communications. However, there is no guarantee that interference will not occur in a particular installation.

If this equipment does cause harmful interference to radio or television reception, which can be determined by turning the equipment off and on, the user is encouraged to try to correct the interference by one or more of the following measures:

- Reorient or relocate the receiving antenna.
- Increase the separation between the equipment and receiver.
- Connect the equipment to an outlet on a circuit different from that to which the receiver is connected.
- Consult the dealer or an experienced radio/TV technician for help.

WARNING: Any changes or modifications to this unit not expressly approved by the party responsible for compliance could void the user's authority to operate the equipment.

*Responsible party (contact for FCC matters only):*

Quality Control Dept.  
5642 Ontario Mills Parkway  
Ontario, CA 91764



# HELP CENTER



Question about your product? We're here to help. Visit us at:

[help.bestchoiceproducts.com](http://help.bestchoiceproducts.com)



Chat Support



Product Inquiry



Orders FAQ



Product Assembly



Returns & Refunds

## PRODUCT WARRANTY INFORMATION

All items can be returned for any reason within 60 days of the receipt and will receive a full refund as long as the item is returned in its original product packaging and all accessories from its original shipment are included. All returned items will receive a full refund back to the original payment method. All returned items will not be charged a re-stocking fee.

All returned items require an RA (Return Authorization) number, which can only be provided by a Best Choice Products Customer Service Representative when the return request is submitted. Items received without an RA may not be accepted or may increase your return processing time. Once an item has been received by Best Choice Products, refunds or replacements will be processed within 5 business days.

All returns must be shipped back to the Best Choice Products Return Center at the customer's expense. If the reason for return is a result of an error by Best Choice Products then Best Choice Products will provide a pre-paid shipping label via email. Boxes for return shipping will not be provided by Best Choice Products, and is the customer's responsibility to either use the original shipping boxes or purchase new boxes.

Pictures may be required for some returns to ensure an item is not damaged prior to its return. Items returned are not considered undamaged until they are received by Best Choice Products and verified as such. All damages to items are the customer's responsibility until the item has been received by and acknowledge by Best Choice Products as undamaged.

## WARNING

Manufacturer and seller expressly disclaim any and all liability for personal injury, property damage or loss, whether direct, indirect, or incidental, resulting from the incorrect attachment, improper use, inadequate maintenance, or neglect of this product.