





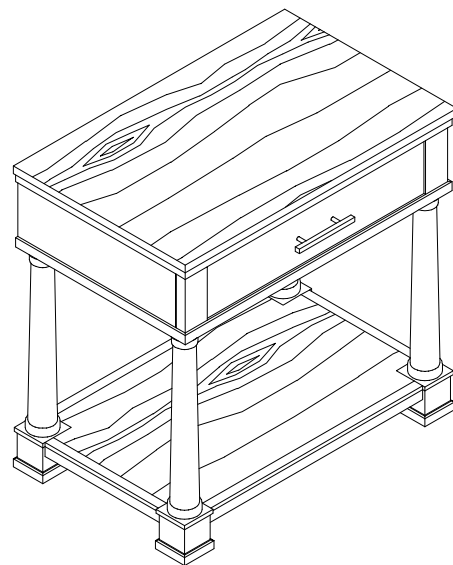
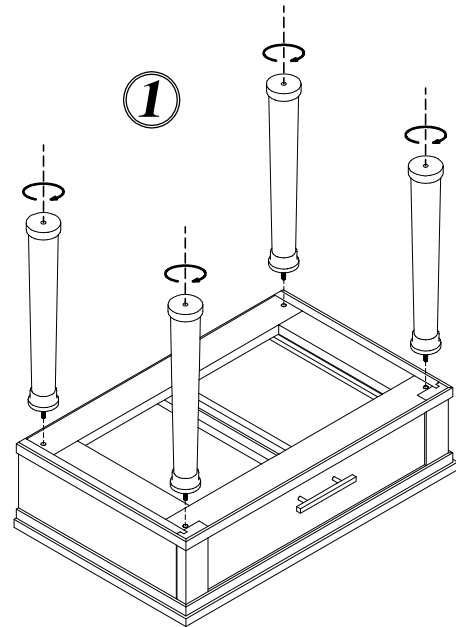
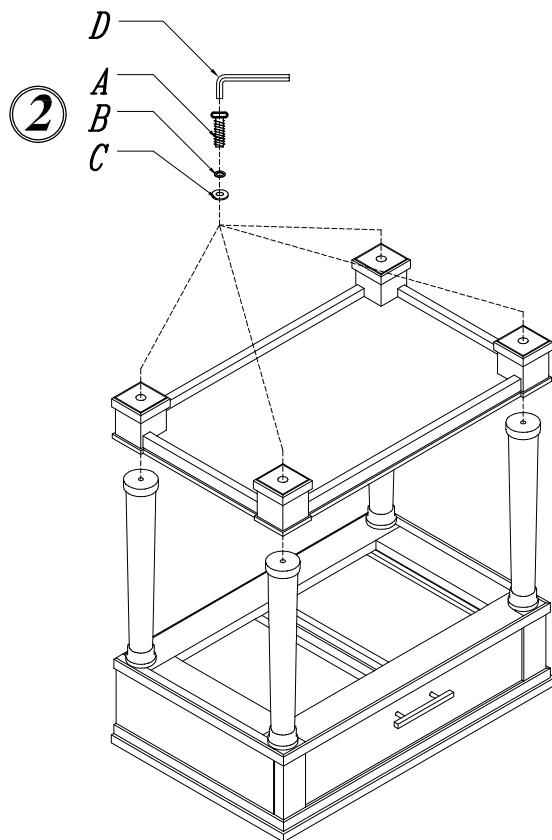
HEKMAN

X A HOWARD MILLER COMPANY

ASSEMBLY INSTRUCTIONS

25663 - SINGLE NIGHT STAND

NO.	Hardware List		Q'ty
A		Bolt 5/16" * 45mm L	4
B		Lock Washer 5/16" Dia	4
C		Flat Washer 5/16" Dia	4
D		Wrench 3/16" Dia*4-3/4" L	1



PLACE THE TABLE UPSIDE DOWN ON SOFT AND CLEAN SURFACE TO PREVENT SCRATCHING

1. ATTACH THE FOUR LEGS (#1) TO THE TABLE TOP
2. ASSEMBLE THE STRETCHER TO THE FOUR LEGS WITH BOLT (A), LOCK WASHER (B), AND FLAT WASHER (C) BY USING WRENCH (D)
4. SET THE TABLE UPRIGHT, ASSEMBLY COMPLETE

MADE IN INDONESIA