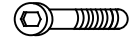
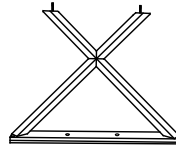
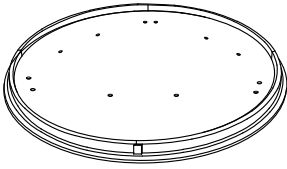


ASSEMBLY INSTRUCTION

ROUND DINING TABLE WITH 24" LAZY SUSAN

- | | | | |
|--------------------|---------------------|------------------------|-------------------------------|
| A Table Top | B Base Plate | C "X" Leg Frame | D JCBC Bolt
M6x40mm |
|--------------------|---------------------|------------------------|-------------------------------|



- | | | | |
|------------------------------------|---|---------------------------------|---|
| E 1 pc
Lock Washer
M8 | F 1 pc
Flat Washer
M8x18mm | G 3 pcs
Hex Nut
M8 | H 12 pcs
Flat Washer
M8x22mm |
|------------------------------------|---|---------------------------------|---|

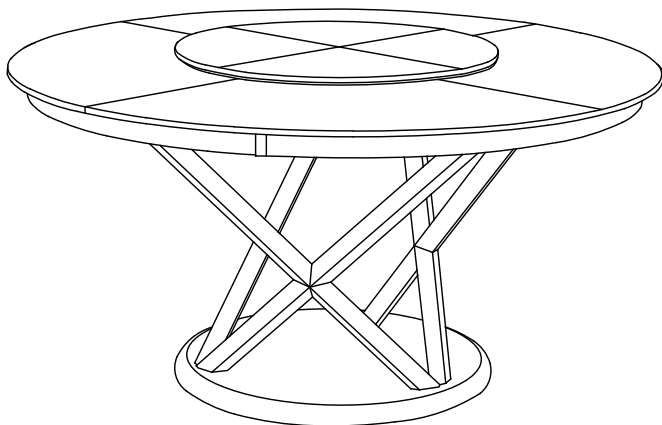


- | | | | |
|------------------------------------|-------------------------------------|----------------|----------------|
| I 18 pcs
Allen Key
M4 | J 12 pcs
Wrench
12.8mm | G 6 pcs | H 6 pcs |
|------------------------------------|-------------------------------------|----------------|----------------|



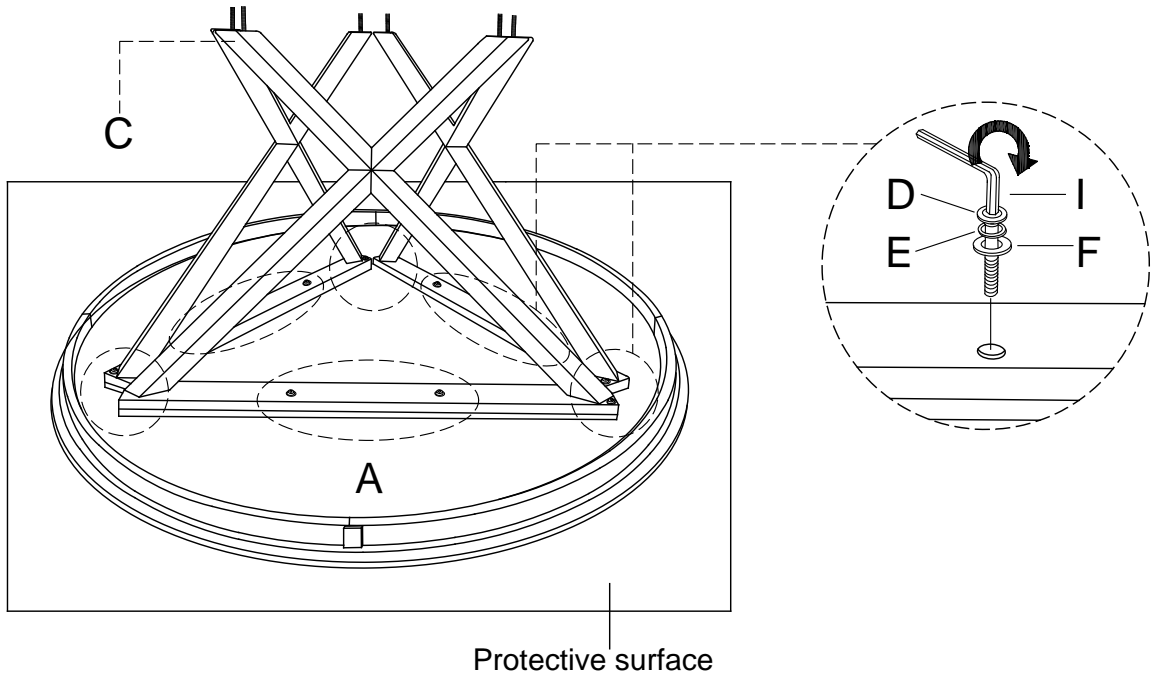
1 pc

1 pc

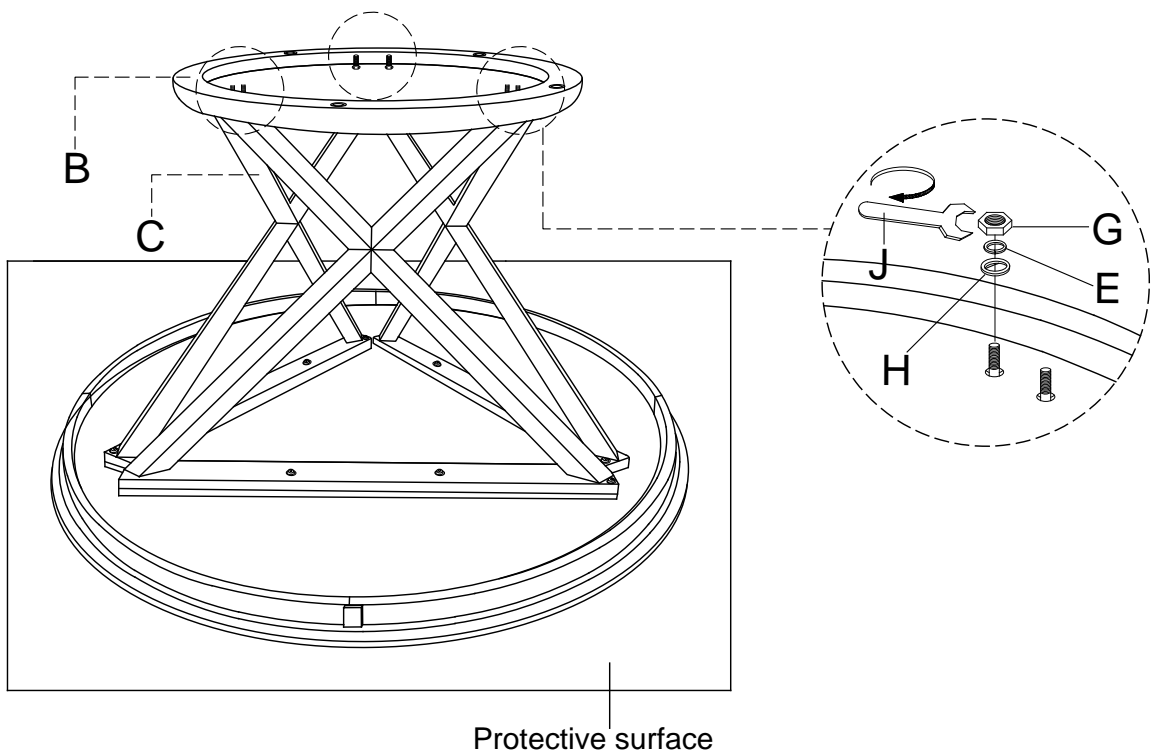


This page lists all the contents included in the box. Please take the time to identify the hardware as well as the individual components to this product. As you unpack and prepare for assembly, place the contents on a carpeted or padded area to protect them from damage.

- 1** Place the Table Top (A) on the protective surface. Tighten the Table Top (A) and "X" Leg Frame (C) by JCBC Bolt (D), Lock Washer (E), Flat Washer (F) and Allen Key (I).
**Do not fully tighten the bolt until all bolts are attached.

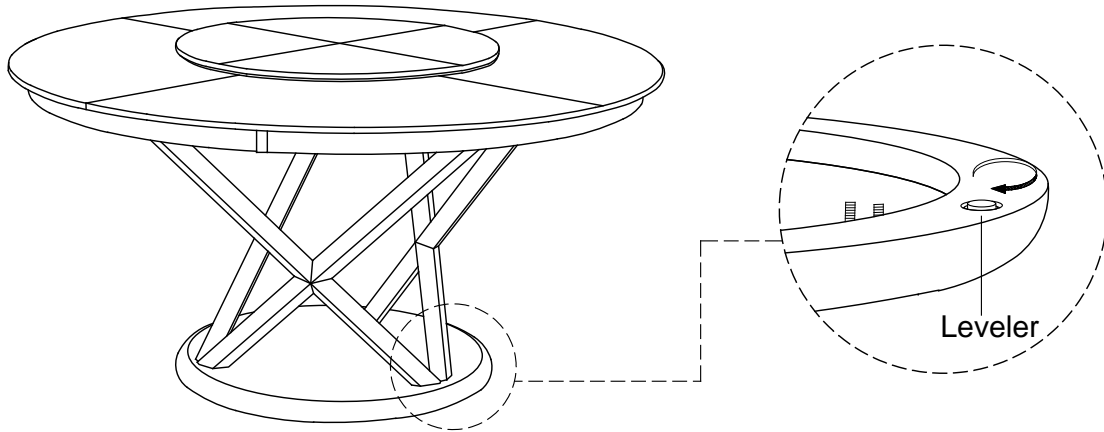


- 2** Place the Base Plate (B) on "X" Leg Frame (C). Tighten the Base Plate (B) and "X" Leg Frame (C) by Hex Nut (G), Lock Washer (E), Flat Washer (H) and Wrench (J).



3

Stand table up on an even surface and check that it is balanced. If there is a slight wobble, please adjust the leveler.



Cleaning & Care

Treat surface with care. Surface is resistant to scratches but is not scratch resistant. Clean surface with a dry or damp soft cloth. Do not use abrasive cleaners. Hardware may loosen over time. Periodically check that all connections are tight.