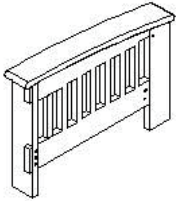


ASSEMBLY INSTRUCTION

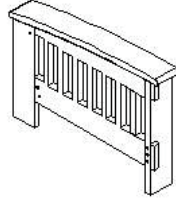
CHAIR

A Arm Frame-left



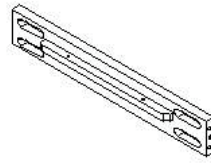
1 pc

B Arm Frame-right



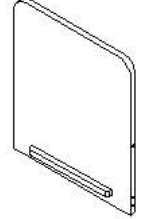
1 pc

C Stretcher



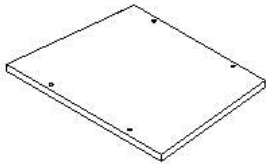
1 pc

D Back Panel



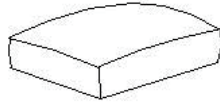
1 pc

E Seat Panel



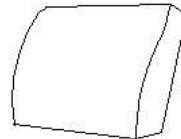
1 pc

F Seat Cushion



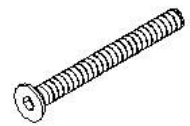
1 pc

G Back Cushion



1 pc

H M6*60 JCBC Bolt



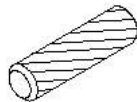
8 pcs

I Bend Washer



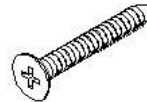
4 pcs

J M8*30 Wood Dowel



4 pcs

K M4*32 Screw

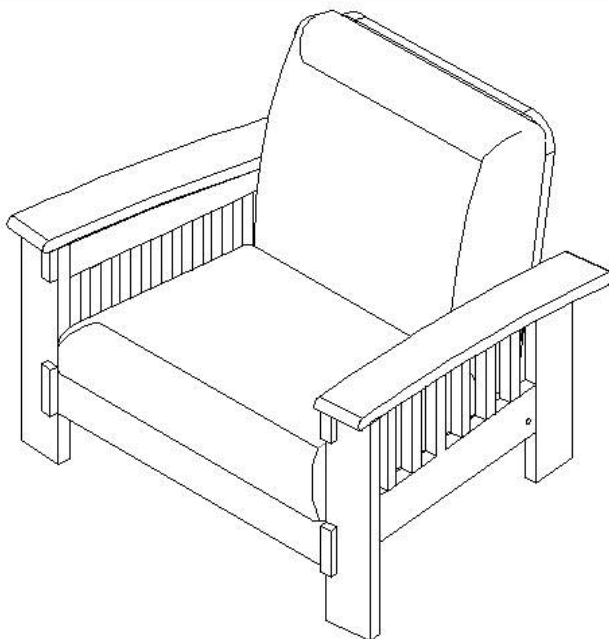


4 pcs

L M4 Allen Key



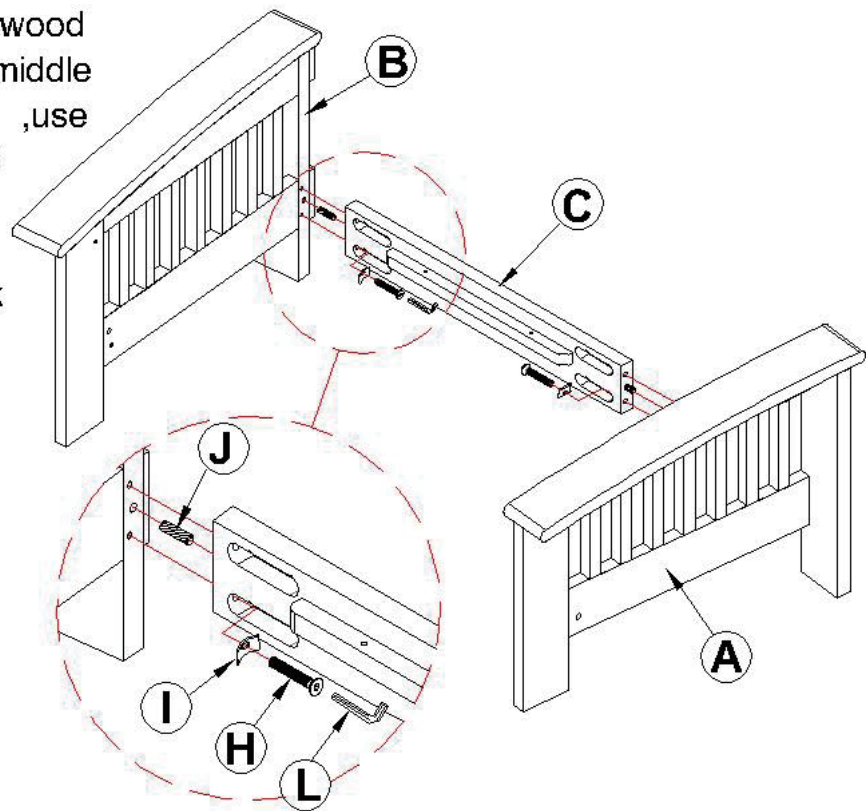
1 pc



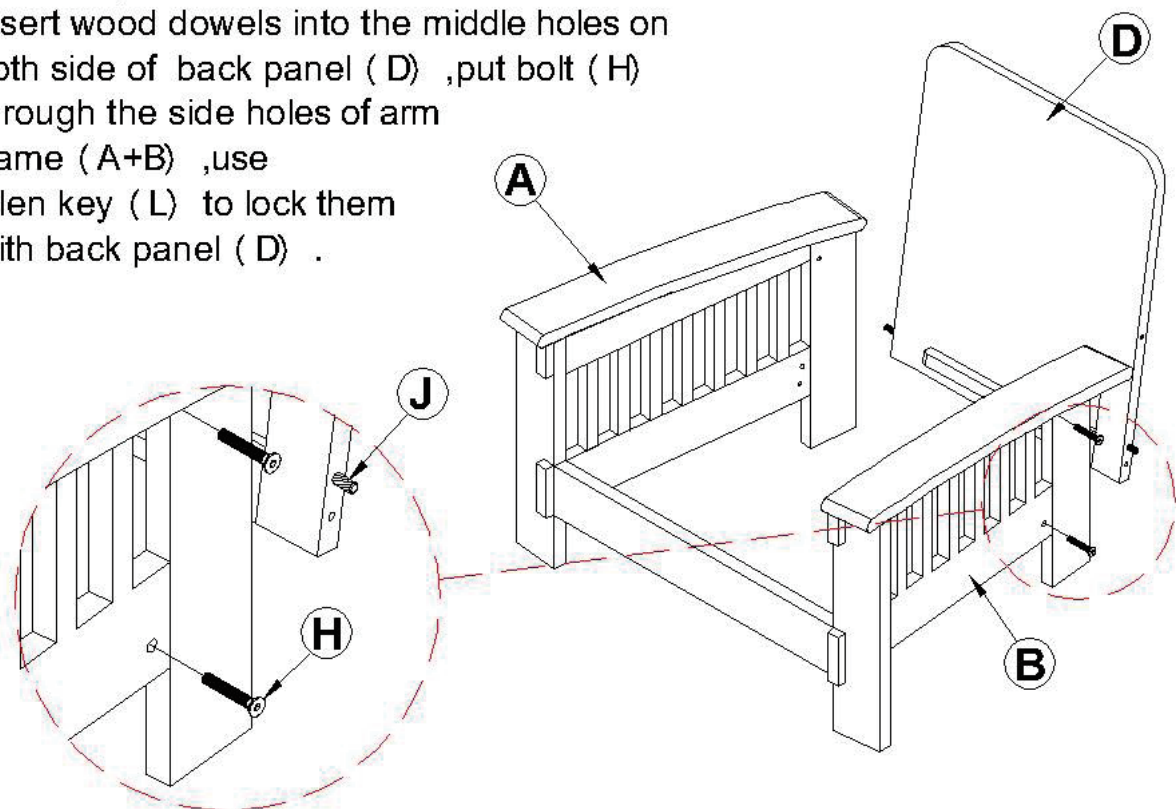
This page lists all the contents included in the box. Please take the time to identify the hardware as well as the individual components to this product. As you unpack and prepare for assembly, place the contents on a carpeted or padded area to protect them from damage.

CHAIR

- 1** Fix stretcher (C) with arm frame (A+B) .Insert wood dowels (J) into the middle hole of stretcher (C) ,use bend washer (I) and bolt (H) on up and down holes ,turn the allen key (L) to lock them.

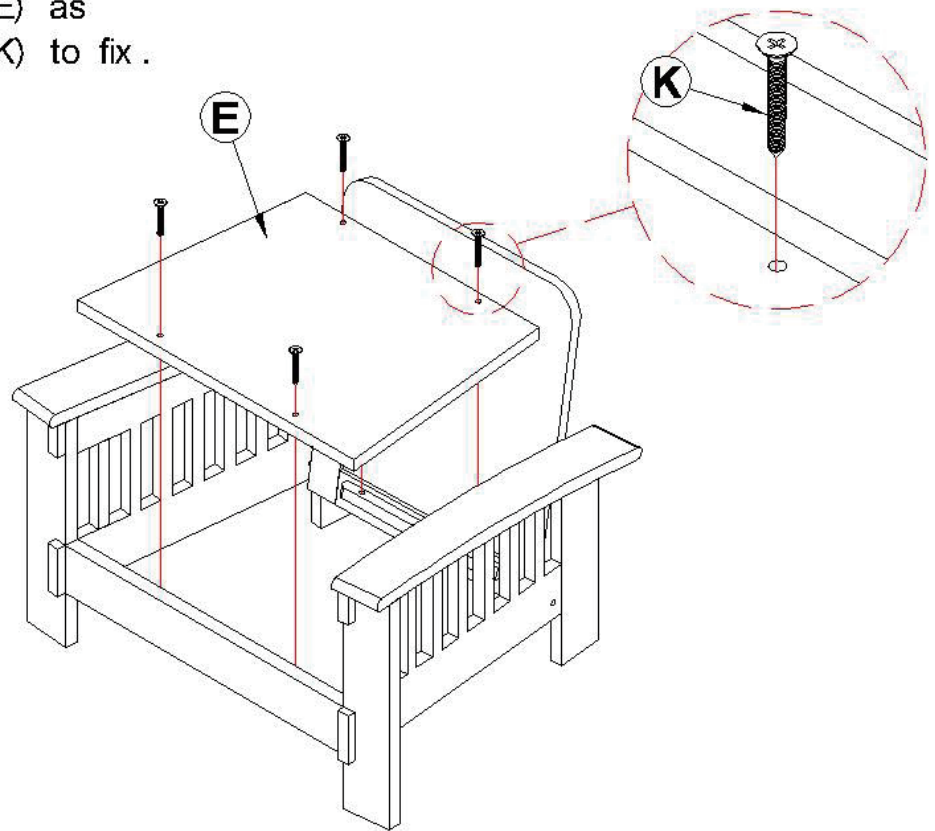


- 2** Fix back panel (D) with arm frame (A+B) . Insert wood dowels into the middle holes on both side of back panel (D) ,put bolt (H) through the side holes of arm frame (A+B) ,use allen key (L) to lock them with back panel (D) .

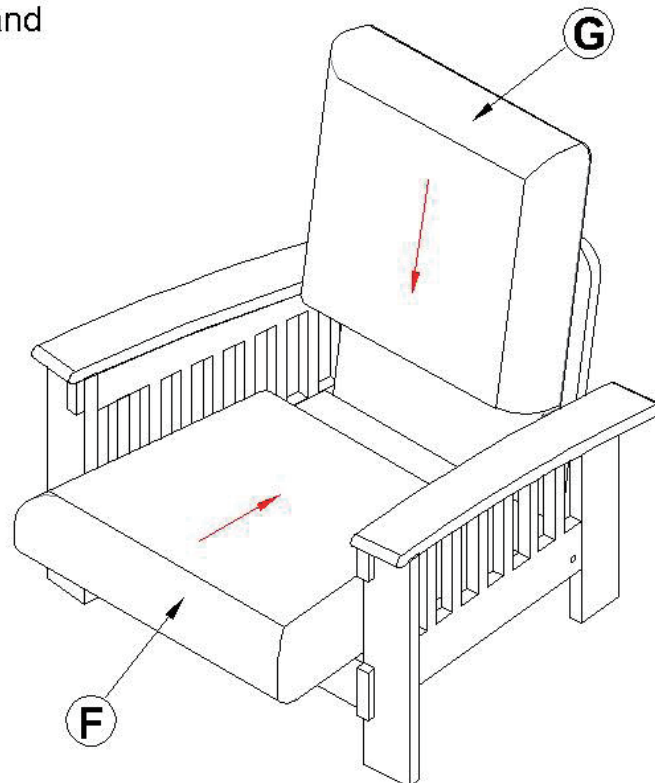


CHAIR

- 3** Put on seat panel (E) as shown, use screw (K) to fix.



- 4** Put on seat cushion (F) and back cushion (G).

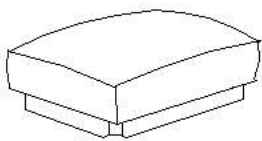


cleaning & care Treat surface with care. Surface is resistant to scratches but is not scratch resistant. Clean surfaces with a dry or damp soft cloth. Do not use abrasive cleaners. Hardware may loosen over time. Periodically check that all connections are tight.

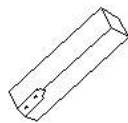
ASSEMBLY INSTRUCTION

OTTOMAN

- A** SEAT CUSHION **B** WOODEN LEG **C** M4 Allen key **D** M6*45 JCBC Bolt



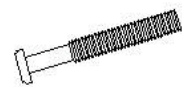
1 pc



4 pcs



1 pc



8 pcs

- E** Washer

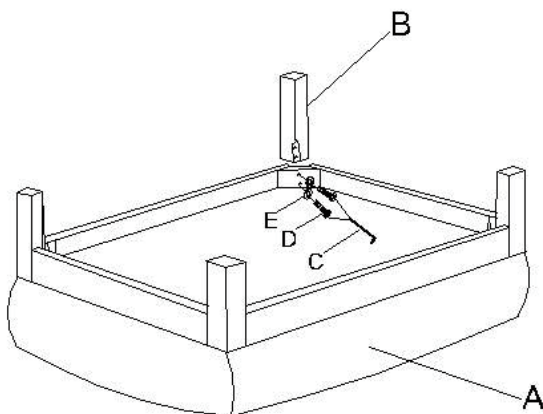


8 pcs

This page lists all the contents included in the box. Please take the time to identify the hardware as well as the individual components to this product. As you unpack and prepare for assembly, place the contents on a carpeted or padded area to protect them from damage.

cleaning & care Treat surface with care. Surface is resistant to scratches but is not scratch resistant. Clean surfaces with a dry or damp soft cloth. Do not use abrasive cleaners. Hardware may loosen over time. Periodically check that all connections are tight.

- 1** Attach wooden legs(B) to the seat cushion(A). Put washer(E) and bolt(D) in each hole of the seat deck and leg, use allen key to lock them.



- 2** Turn back the seat cushion. An ottoman has been completed.

