
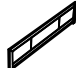






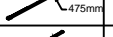
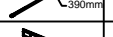


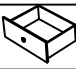



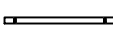


# ASSEMBLY INSTRUCTIONS






**B1684-115 NOCTURNE 6/6 EK LIGHTED HEADBOARD & FOOTBOARD**  
**B1684-135 NOCTURNE 6/6 EK SIDE RAILS & SLATS**  
**B1684-335D DRAWER KIT FOR SIDE RAILS**





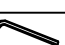
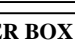
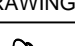
Thank you for purchasing this quality product. Be sure to check all packing materials carefully for small parts, which may have come loose inside the carton during shipment. Identify and count all items and compare with the parts list and/or hardware list shown.



### PARTS LIST

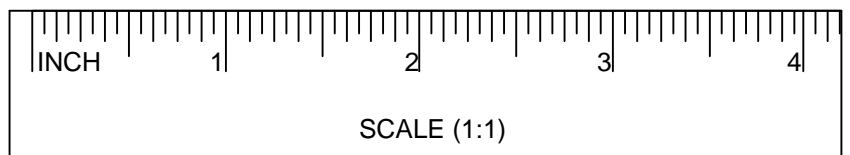
NO	COMPONENT	DRAWING	QTY
A	Headboard		1 pc
B	Footboard		1 pc
C	Right Side Facing (RSF) Headboard Leg		1 pc
D	Left Side Facing (LSF) Headboard Leg		1 pc
E	Slat with Marking		2 pcs
F	Slat		3 pcs
G	Slat Support Leg		10 pcs
H	T-Runner Support Leg		2 pcs
I	18.70" Long T-Runner (A)		1 pc
J	15.35" Short T-Runner (B)		1 pc
K	Right Side Facing (RSF) Side Rail		1 pc
L	Left Side Facing (LSF) Side Rail		1 pc
M	Large Drawer (A)		2 pcs
N	Small Drawer (B)		2 pcs
O	Conceal Panel		6 pcs
P	Adaptor		1 pc
Q	Headboard Stretcher		1 pc

### HARDWARE LIST

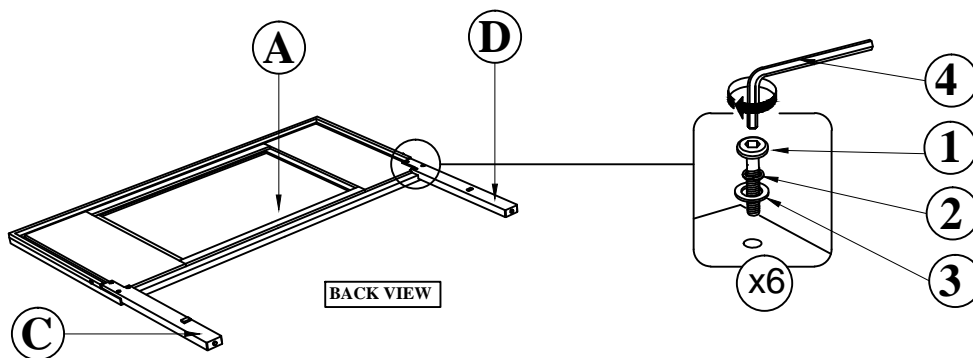
PACKED INSIDE HEADBOARD			
NO	COMPONENT	DRAWING	QTY
1	Bolt M6 x 1 2/8"		6 pcs
2	Spring Washer 1/4"		6 pcs
3	Flat Washer 1/4" ID x 1/2" OD		6 pcs
4	Allen Key M4 x 2 9/16"		1 pc
5	Flat Head Screw M4 x 1 1/4"		4 pcs

PACKED INSIDE SIDE RAIL			
NO	COMPONENT	DRAWING	QTY
6	Flat Head Screw M4 x 1 1/4"		14 pcs
7	Bolt M6 x 2"		12 pcs
8	Bolt M6 x 1 3/8"		8 pcs
9	Spring Washer 1/4"		8 pcs
10	Flat Washer 1/4" ID x 1/2" OD		8 pcs
11	Pan Head Screw M3 x 13/16"		30 pcs
12	Allen Key M4 x 2 9/16"		1 pc

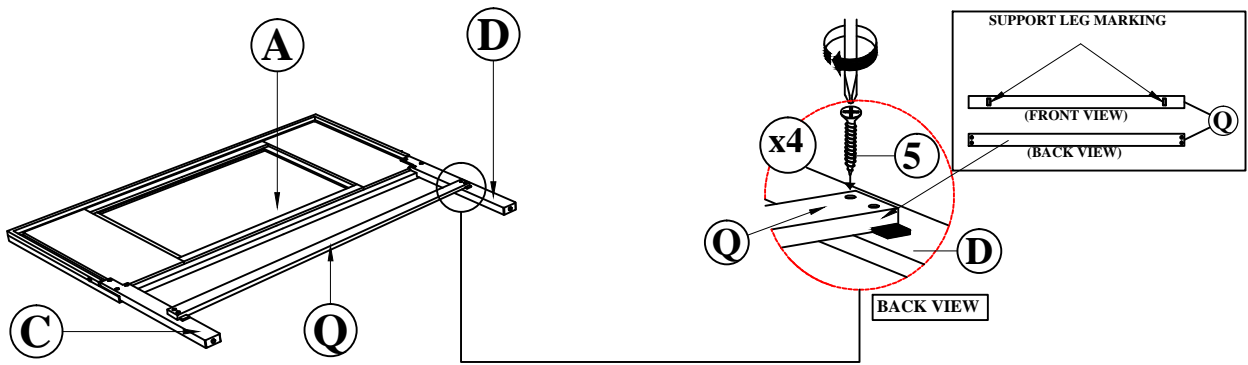
PACKED INSIDE DRAWER BOX			
NO	COMPONENT	DRAWING	QTY
13	Knob		4 pcs
14	Truss Head Machine Screw M4 x 1.10"		4 pcs



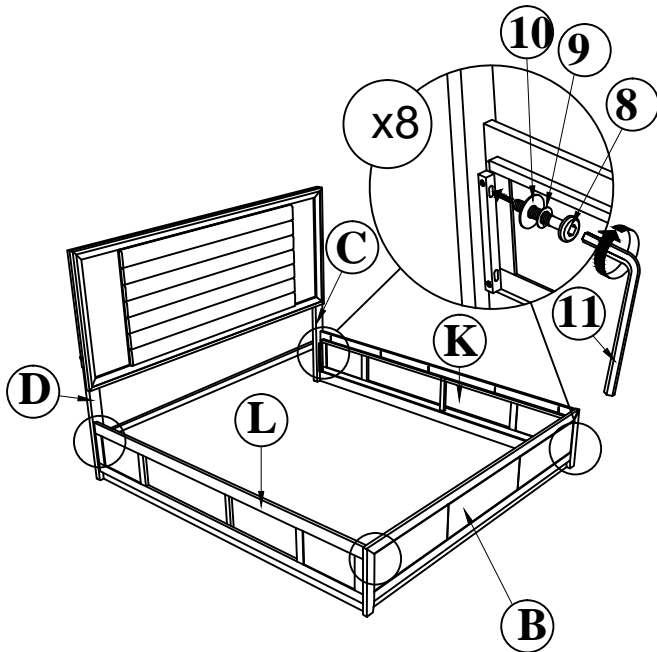
**STEP 1** : Assemble the Headboard Legs (C & D) to the Headboard (A) by using the Allen Key (4) with hardware 1, 2, and 3



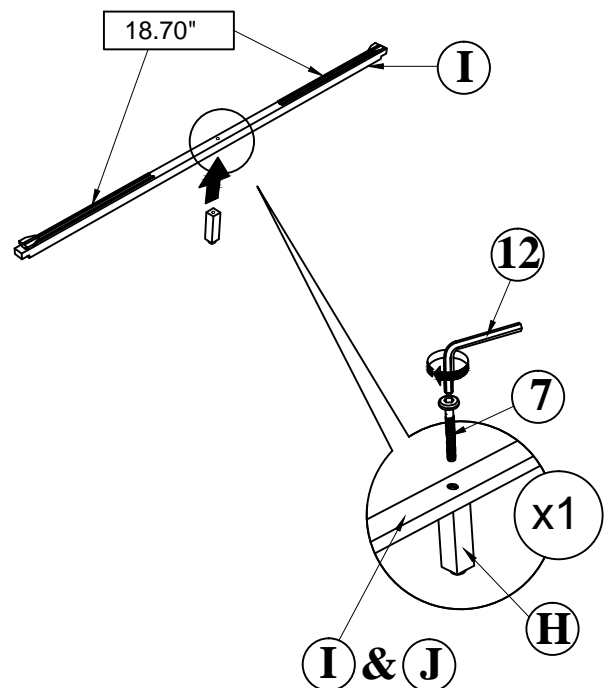
**STEP 2 :** Assemble the Headboard Stretcher (Q) to Headboard Legs (C & D) by using a screwdriver with hardware (5).



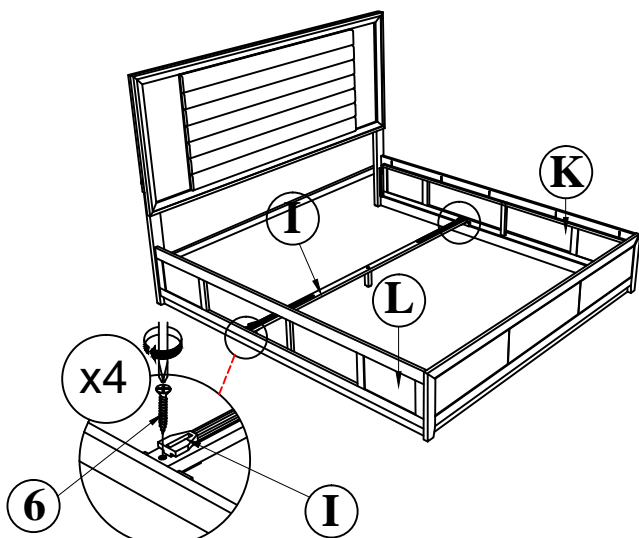
**STEP 3 :** Assemble the RSF Side Rail (K) to the RSF Headboard Leg (C) and the LSF Side Rail (L) to the LSF Headboard Leg (D) then assemble the other end of the side rails (K & L) to the Footboard (B) by using the Allen Key (11) with hardware 8, 9, and 10.



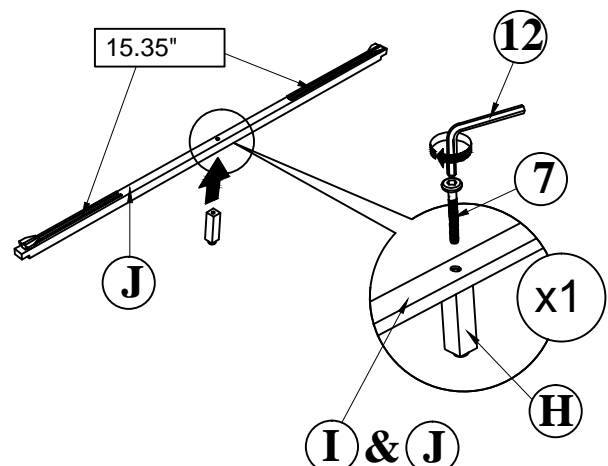
**STEP 4 :** Assemble the T-Runner Support Leg (H) to the 18.70" Long T-Runner (I) by using the Allen Key (12) with hardware 7.



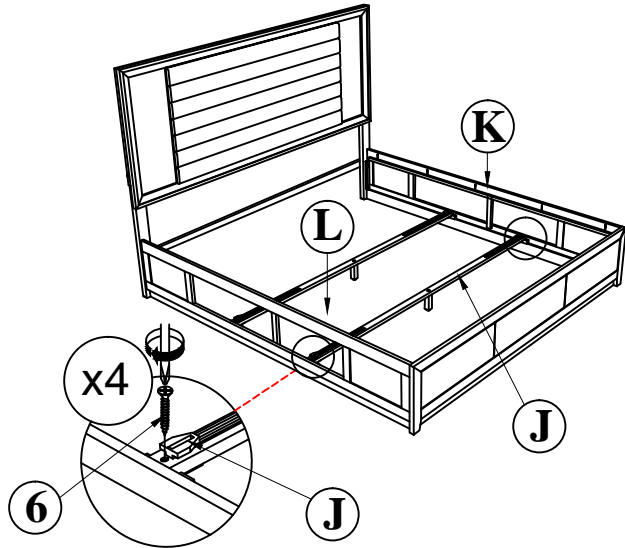
**STEP 5 :** Assemble the 18.70" Long T-Runner (I) to the Side Rails (L & K) by using a screwdriver with hardware (6)



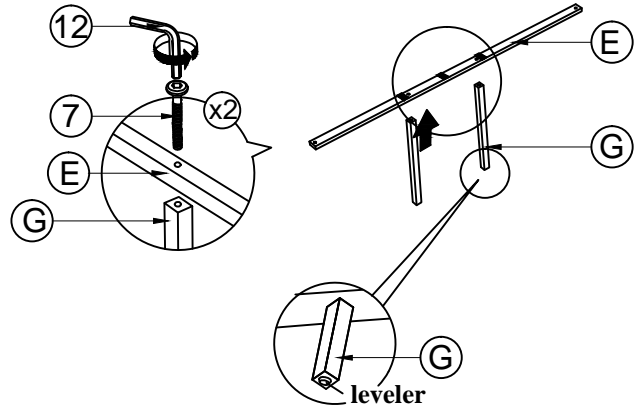
**STEP 6 :** Assemble the T-Runner Support Leg (H) to the 15.35" Short T-Runner (J) by using the Allen Key (12) with hardware 7.



**STEP 7 :** Assemble the 15.35" Short T-Runner (J) to the Side Rails (L & K) by using a screwdriver with hardware (6)

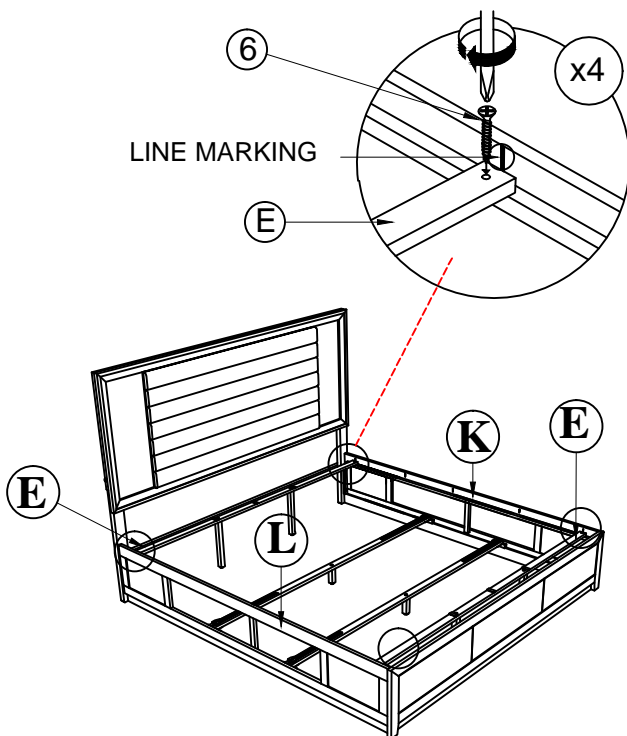


**STEP 8 :** Assemble the Slat Support Leg (G) to the Slat with Marking (E) by using the Allen Key (12) with hardware 7.

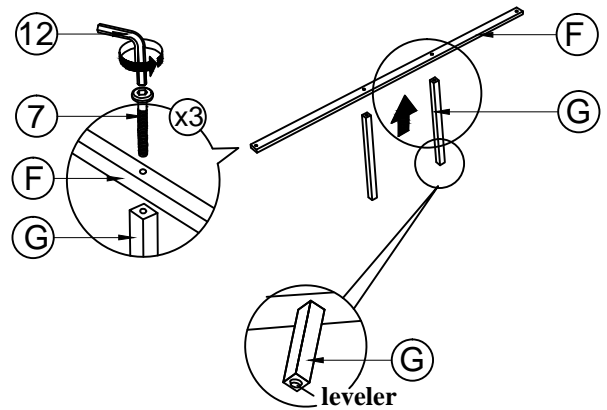


**STEP 9 :** Assemble the Slat with Marking (E) to the Side Rails (L & K) by using a screwdriver with hardware (6).

\*Note: Please make sure the Slat with Marking (E) are aligned and installed at the first line marking from both ends of the Side Rails (L & K) as shown

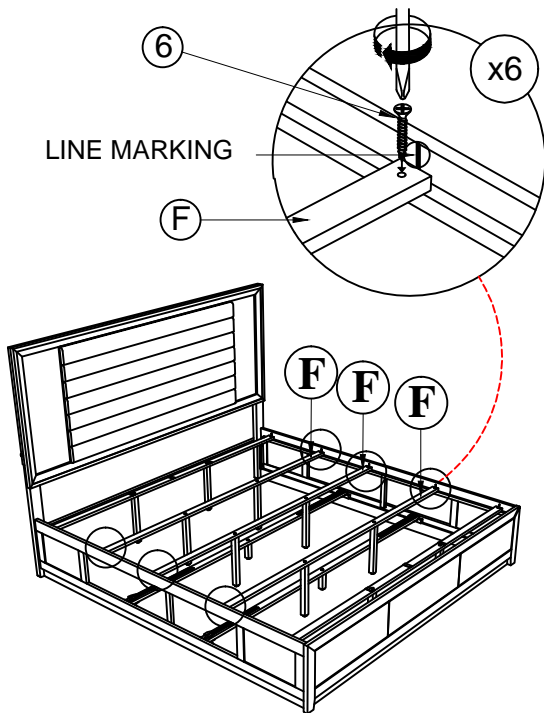


**STEP 10 :** Assemble the Slat Support Leg (G) to the Slat (F) by using the Allen Key (11) with hardware 6.

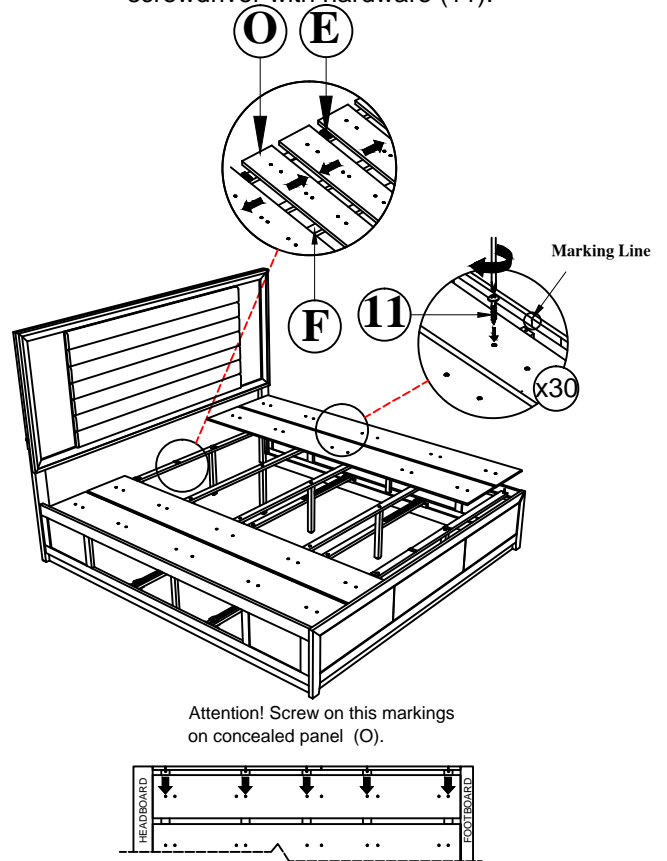


**STEP 11 :** Assemble the Slat (F) to the Side Rails (L & K) by using a screwdriver with hardware (6).

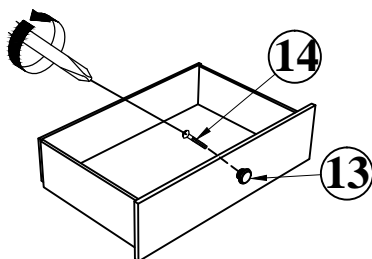
\*Note: Please aligned and installed at the line marking of the Side Rails (L & K) as shown.



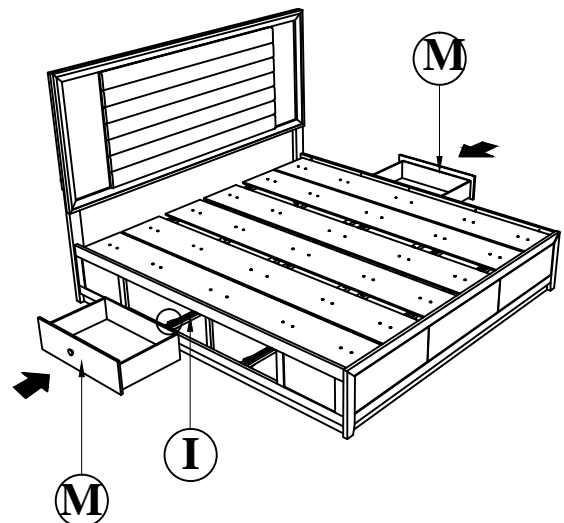
**STEP 12 :** Align the Conceal Panels (O) between the markings as shown. Assemble the Conceal Panels to the bed slats (E & F) using a screwdriver with hardware (11).



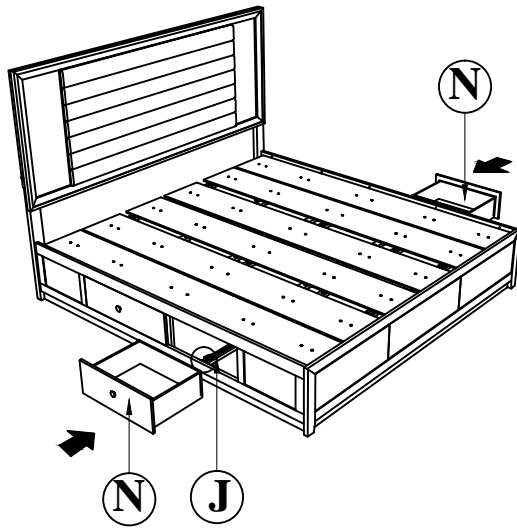
**STEP 13 :** Assemble the knobs (13) to each front of the drawers (M & N) by using a screwdriver with hardware (14)



**STEP 14 :** Install the Large Drawers (M) to the drawer slots on each rail (K & L) that is closest to the Headboard (A) and align with T-Runner (I).

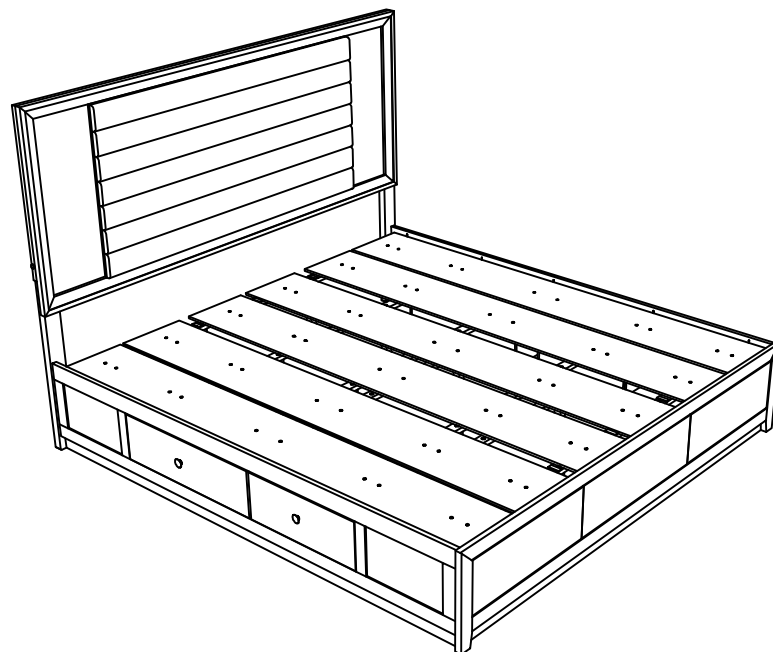
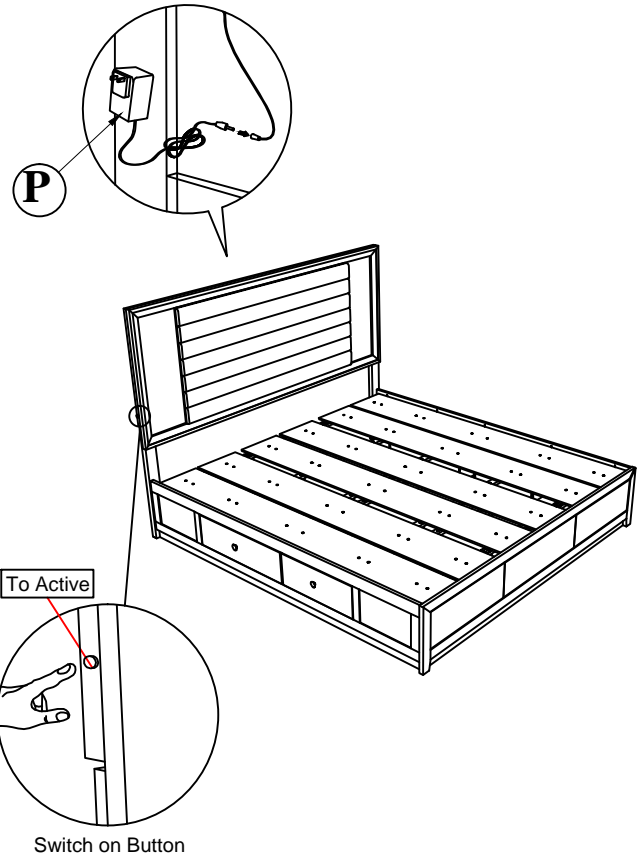


**STEP 15 :** Install the Small Drawers (N) to the drawer slots on each rail (K & L) that is closest to the Headboard (A) and align with T-Runner (J).



**STEP 16 :** Connect the Adaptor (P) to the Headboard (A).

Back View



COMPLETED ASSEMBLY