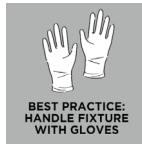
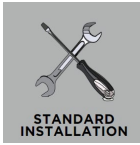


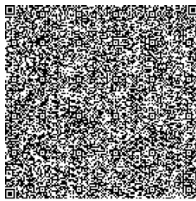
# LEO HANGING GLOBE ONE-LIGHT PENDANTS

6018; 6020; 6022; 6024; 6501801; 6601801; 6701801; 6801801

### General Product Information



WARRANTY



FCC STATEMENT

### Tools Required



### Safety Information

#### CAUTION-RISK OF FIRE

This product must be installed in accordance with the applicable installation code by a person familiar with the construction and operation of the product and the hazards involved.

**USE MINIMUM 90°C SUPPLY CONDUCTORS.**

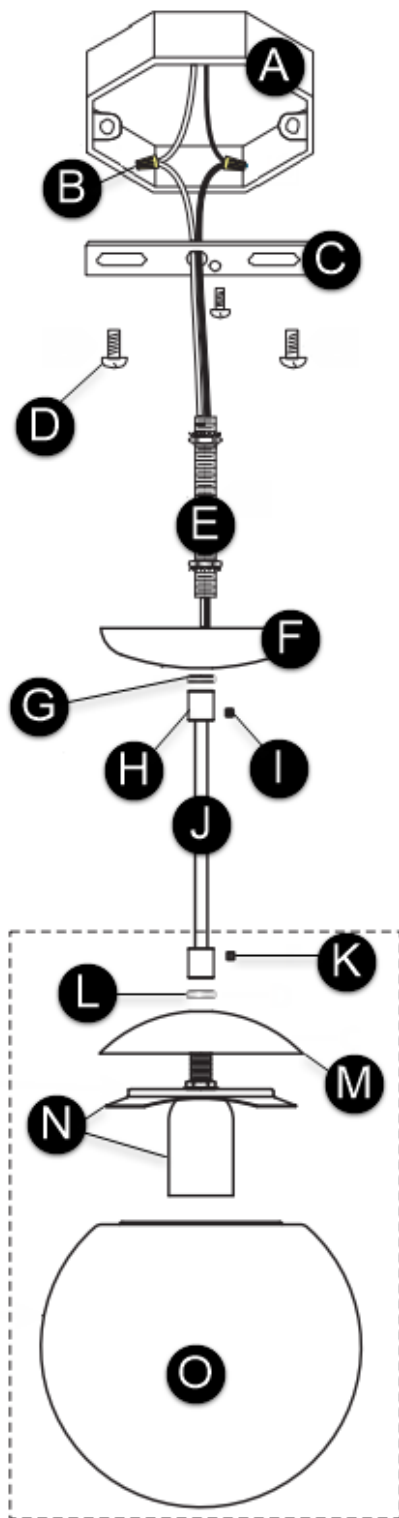


Turn off electrical current at the source before working with any lighting fixture or portable lamp.

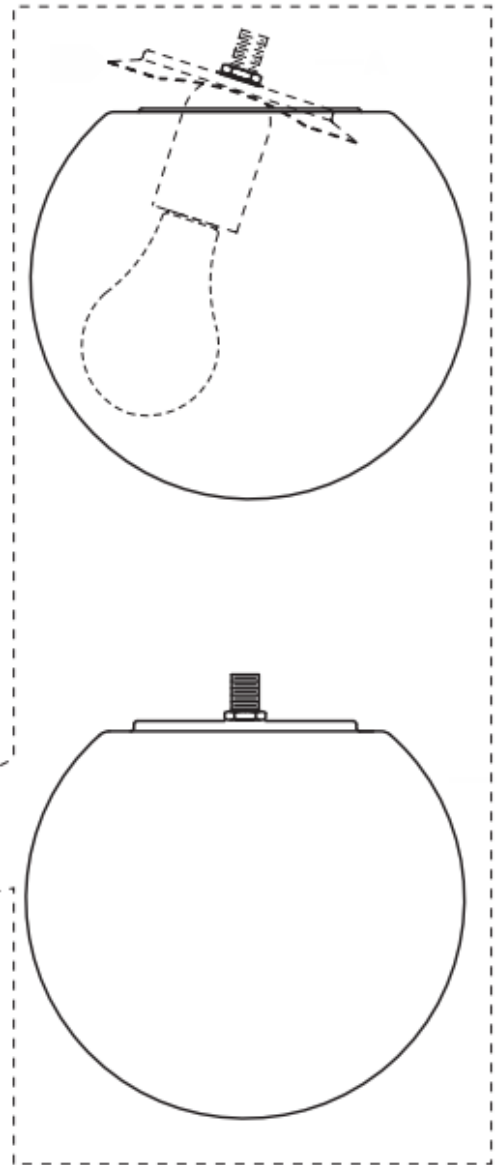
Install and use this product in adherence with local electrical codes and regulations.



## FIXTURE PARTS



- A. Junction Box
- B. Wire Nut Connections
- C. Mounting Bar
- D. Mounting Screws
- E. Threaded Nipple
- F. Canopy
- G. Collar Nut
- H. Strain Relief
- I. Strain Relief Screw/Set Screw
- J. Fixture Cord
- K. Set Screw
- L. Collar Nut
- M. Decorative Cap
- N. Socket Assembly
- O. Shade



# INSTRUCTIONS

## I. Preparing the Fixture

1. If necessary, screw the threaded nipple onto the mounting bar.
2. Secure the mounting bar to the junction box.
3. Feed the fixture cord through the collar nut and canopy.
4. Determine the desired height of the fixture and adjust the cord accordingly as follows:
  - a) Loosen (do not remove) the set screw for the cord.
  - b) Feed the cords up or down through the collar nut and canopy until the preferred length is reached.
  - c) Tighten the set screw to secure the cord.
  - d) Trim the cord, while leaving enough (approximately 6") for electrical connections.
  - e) Strip the insulation 4" from the end of the cord and then strip the end of the wires. Be careful not to nick the inner wires.
5. Screw the lamp into the socket. Refer to the socket label for max wattage information.
6. Install the shade as follows:
  - a) Insert the socket assembly into the shade at an angle.
  - b) Straighten the socket assembly so the shade rests evenly on the bracket.
  - c) Place the decorative cap over the glass.
  - d) Thread the collar nut on to the nipple.
  - e) Slide the strain relief into place above the collar nut and secure with set screw.
7. Feed the fixture wires through the threaded nipple.
8. Screw the strain relief onto the threaded nipple.

## II. Wiring the Fixture

1. Safety first! Locate the circuit breaker and switch it off to cut off the power supply to the relevant circuits to ensure there's no electricity running through the wiring.
2. In accordance with local electrical codes, connect the fixture ground wire (bare copper or silver wire) to suitable ground. This may be a green ground screw on the mounting plate or a house wire (green or bare copper wire without insulation).
3. Twist the bare ends of the following pairs of wires together using a wire nut to secure a connection:
  - a) Black fixture wire (round and/or smooth) to hot power line wire
  - b) White fixture wire (square and/or rigid) to neutral power line wire
4. Carefully tuck all the wires and wire-nut connections into the junction box.

## III. Installing the Fixture

1. Mount the fixture canopy onto the mounting plate and secure it in place by screwing the collar nut onto the threaded nipple.