

# Item: BR9DRLEEDR-T

## Assembly Instructions

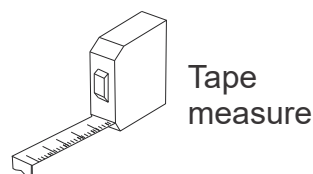
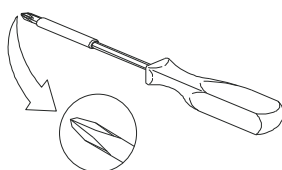
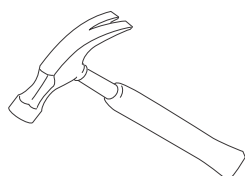


*Please visit our website for the most current instructions, assembly tips, to report damage or request parts. [www.walkerredison.com](http://www.walkerredison.com)*

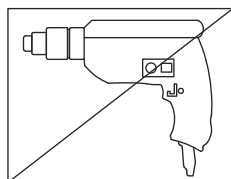
Revised 08/2024 - V2

# General Assembly Guidelines

- I. Ensure that all parts and hardware are available before beginning assembly.
- II. Follow each step carefully to ensure the proper assembly of this product.
- III. Two people are recommended for ease in the assembly of this product.
- IV. The three main types of hardware used to assemble this product are wood dowels, screws and bolts.
- V. A hammer, Phillips head screwdriver and tape measure is required for the assembly of this product.



- VI. Power tools should not be used to assemble this product.

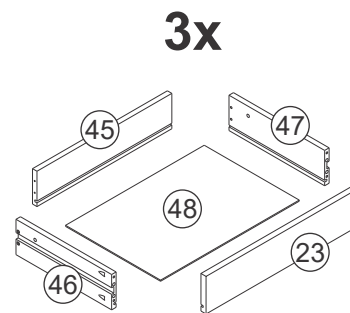
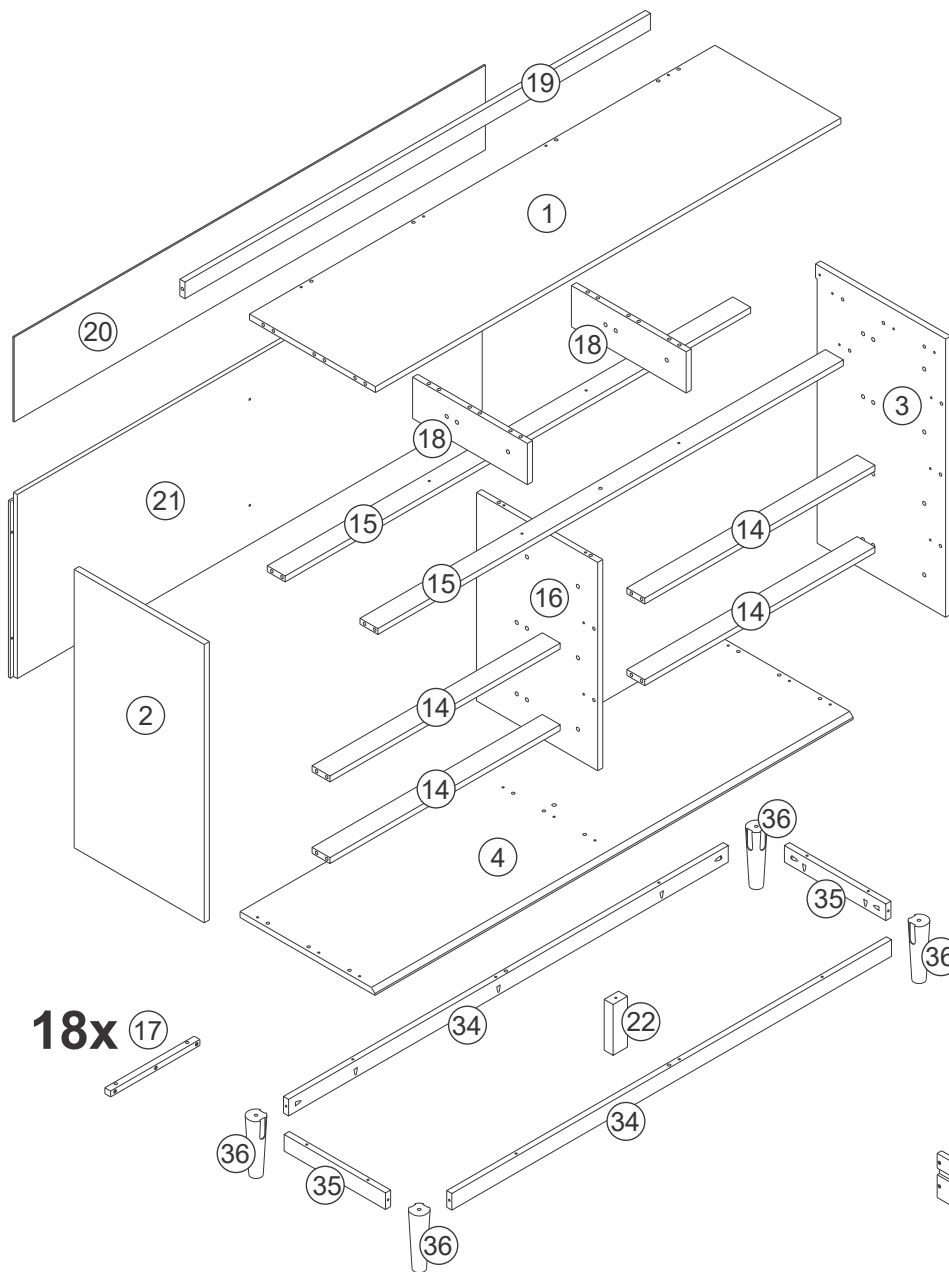


## VII. Maintenance Guide

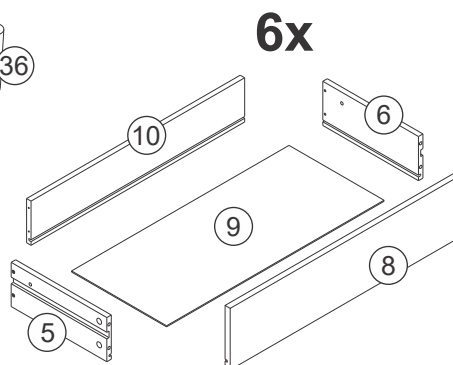
To maintain long term performance and easy gliding of your solid wood drawers, we recommend applying wax to the wooden guide rails.

1. Bee's wax is recommended or Paraffin wax from a standard candle can be used.
2. Apply the wax by rubbing it on the wooden guide rails where there is wood-on-wood contact when opening and closing the drawer. (Wax should be room temperature, do not melt the wax onto the wood)
3. Wax should be applied every few months for the first year and then only when needed after that to keep the drawers sliding smoothly.

# Parts List



The side drawer with WARNING LABEL, should be mounted in highest drawer.

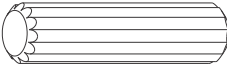
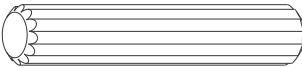
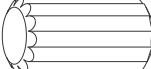







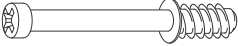



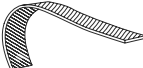
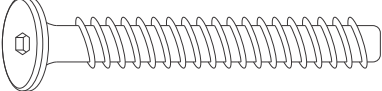




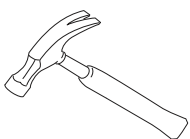
Part #	Description	Qty
1	Top panel	01 pc
2	Left side panel	01 pc
3	Right side panel	01 pc
4	Base	01 pc
5	Left drawer side	06 pcs
6	Right drawer side	05 pcs
7	Right drawer side (warning)	01 pc
8	Drawer front	06 pcs
9	Drawer bottom	06 pcs

Part #	Description	Qty
10	Drawer back	06 pcs
14	Front rail	04 pcs
15	Large front rail	02 pcs
16	Divison	01 pc
17	Wood slider	18 pcs
18	Small division	02 pcs
19	Top rail	01 pc
20	Back Panel	01 pc
21	Bottom back panel	01 pc

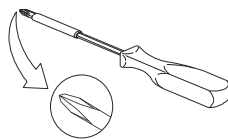
Part #	Description	Qty
22	Central foot	01 pc
23	Small drawer front	03 pcs
34	Bottom front rail	02 pcs
35	Bottom side rail	02 pcs
36	Foot	04 pcs
45	Small drawer back	03 pcs
46	Small left drawer side	03 pcs
47	Small right drawer side	03 pcs
48	Small drawer bottom	03 pcs

# Hardware List

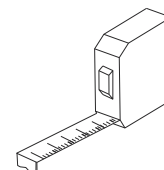
A		Ø8*30mm	Wood dowel	84 pcs
B		Ø8*40mm	Wood dowel	18 pcs
C		Ø10*20mm	Wood dowel	54 pcs
D		Ø3,0*12mm	Screw	30 pcs
E		Ø3,5*20mm	Screw	05 pcs
F		Ø4,0*25mm	Screw	54 pcs
G		Ø4,0*30mm	Screw	55 pcs
H		Ø4,0*40mm	Screw	25 pcs
I		Ø4,5*50mm	Screw	08 pcs
J		-	Handle	15 pcs
K		Ø8,0*31mm	Cam bolt	50 pcs
L		Ø15*12mm	Cam lock	50 pcs
M		Ø6mm	Plastic Bush	01 pc
N		-	Washer	02 pcs
O		-	Wall anchor	01 pc
P		Ø7,0*50mm	Bolt	01 pc
Q		-	Hex Key	01 pc
R		Ø8,0*8mm	Nail	20 pcs



Hammer recommended for assembly (not included)



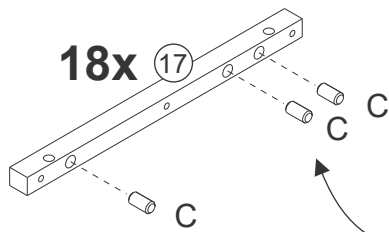
Phillips head screwdriver required for assembly (not included)



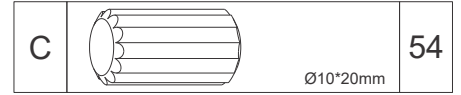
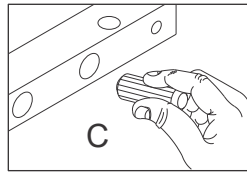
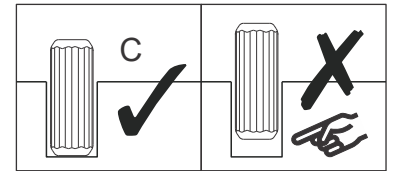
Tape measure required for assembly (not included)

*The hardware quantities listed above are required for proper assembly. Some extra hardware may also have been included.*

# Step 1

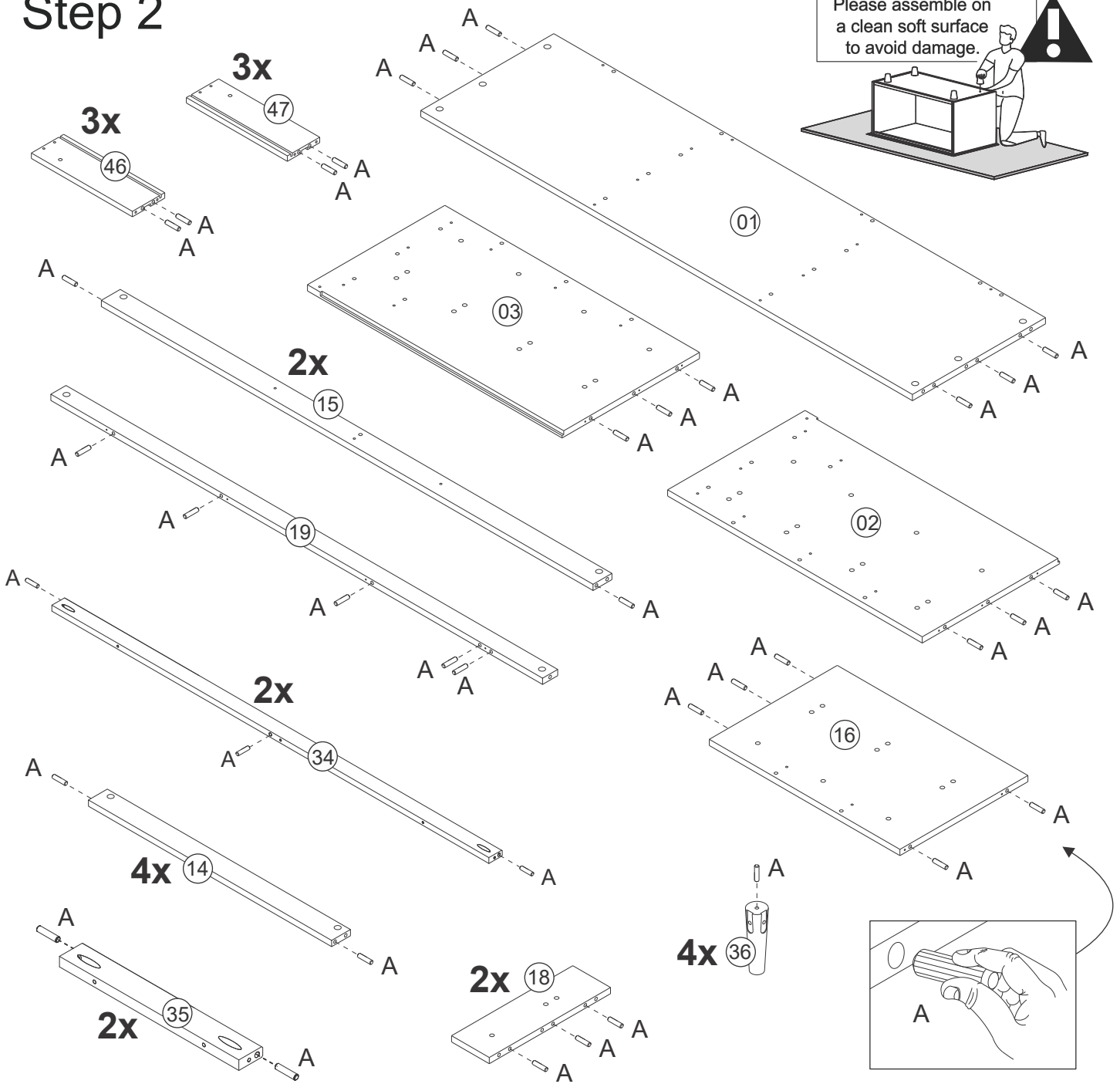


Attention to the  
dowel size:  
Ø10\*20mm

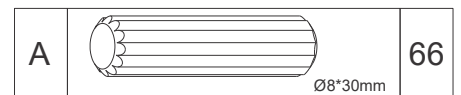


Insert wood dowel (C) into part 17.

# Step 2

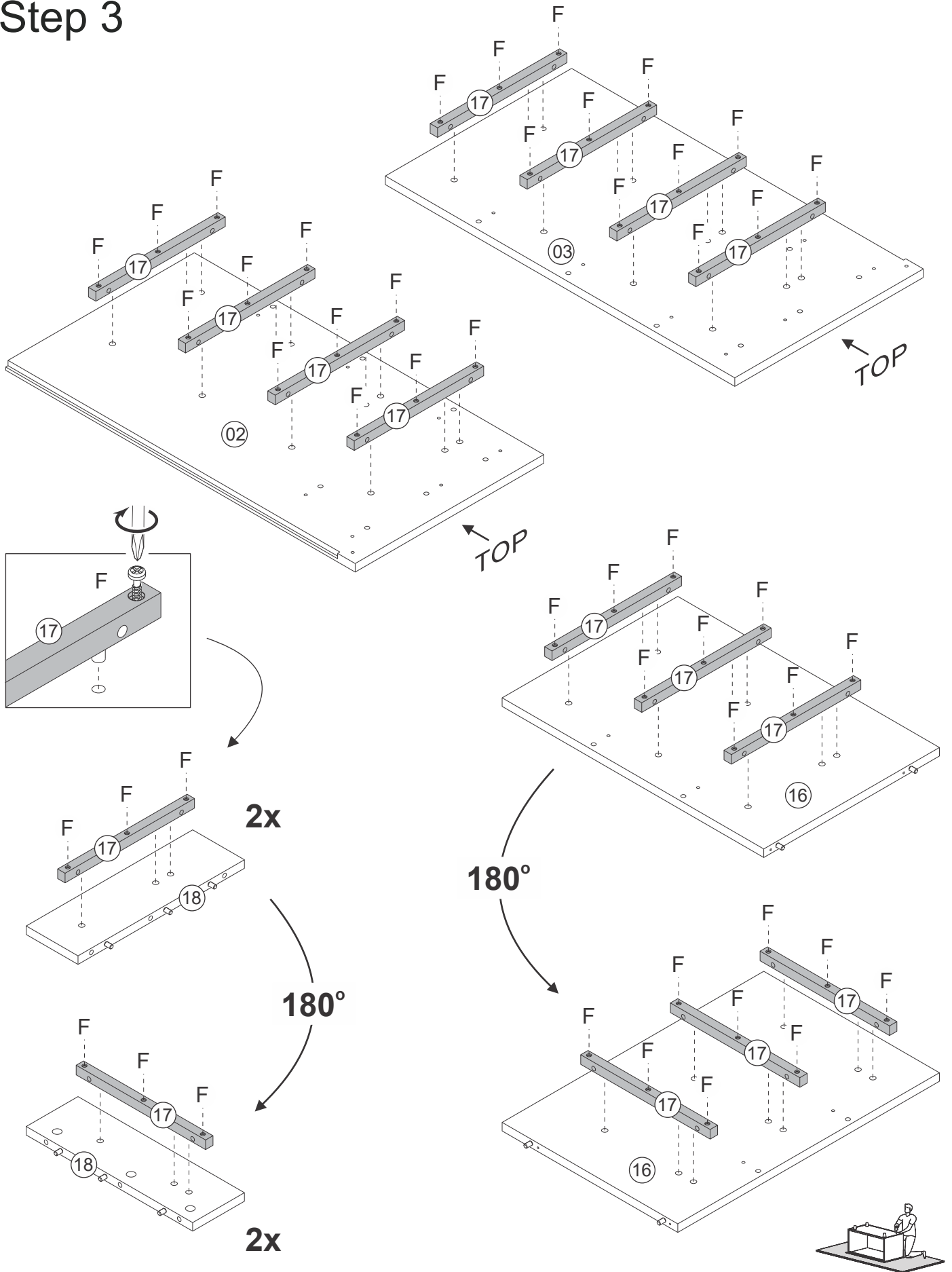


Please assemble on  
a clean soft surface  
to avoid damage.

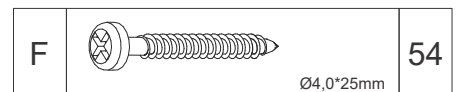


Insert wood dowel (A) into parts  
01, 02, 03, 14, 15, 16, 18, 19, 34, 35, 36, 46 and 47.

# Step 3

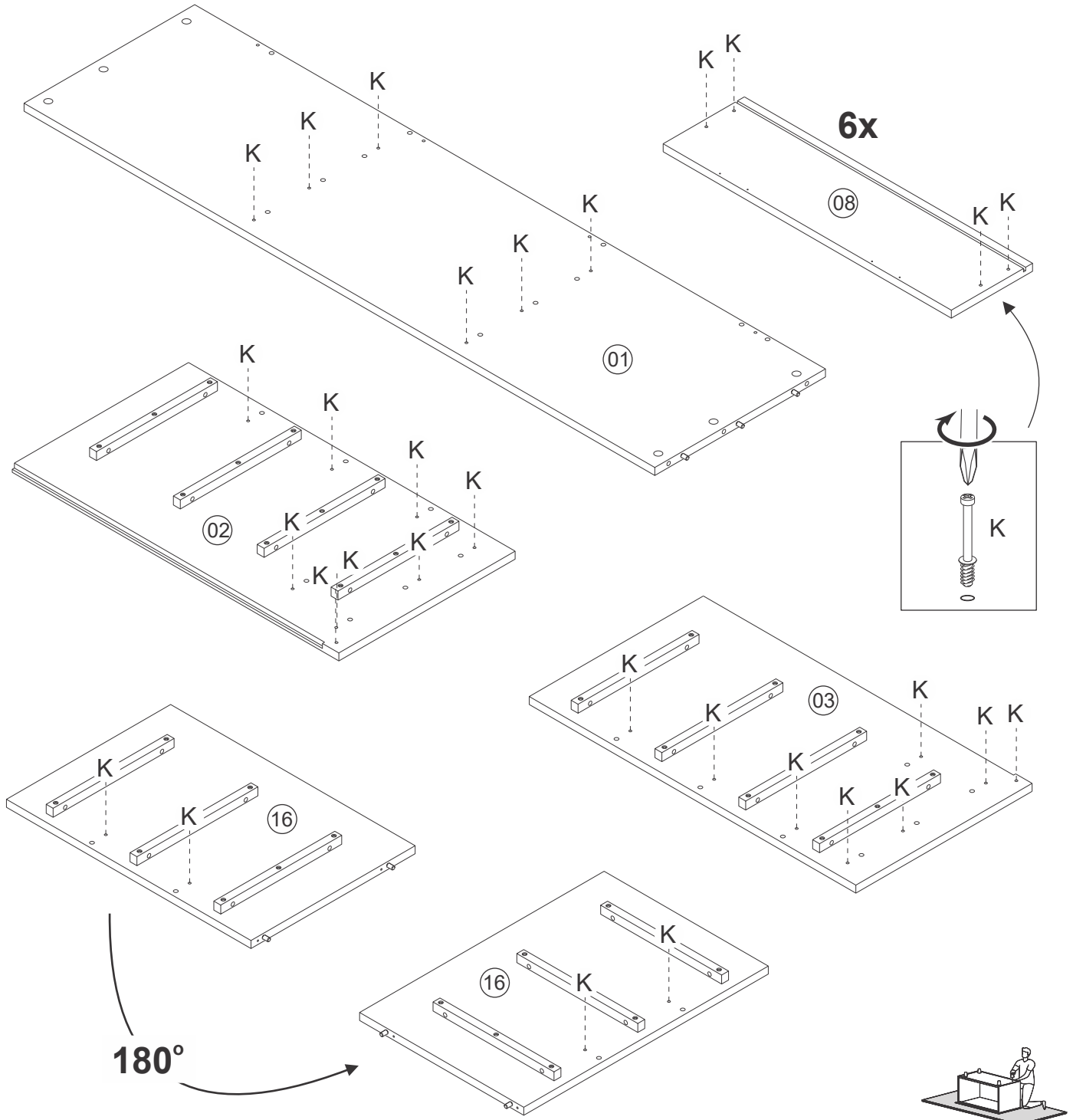
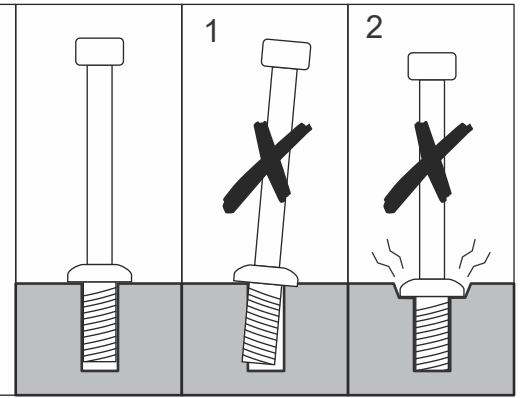


Secure parts 17 to part 02, 03, 16 and 18 with screw (F) and phillips screwdriver.

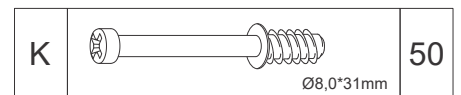


# Step 4

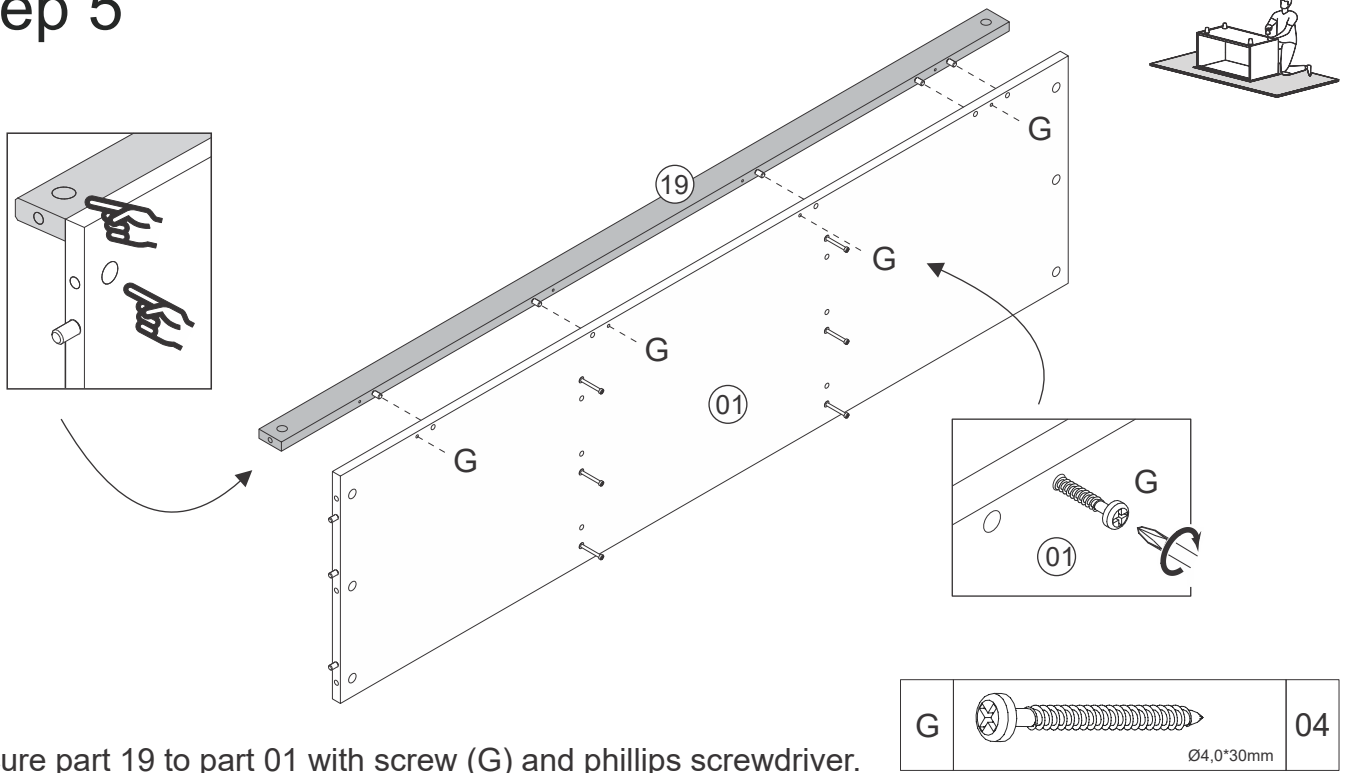
1 - Ensure cam bolt is installed straight and not at an angle.  
 2 - Tighten cam bolt until shoulder on cam bolt is flush. Do not over-tighten.



Screw cam bolts (K) into parts 01, 02, 03, 08 and 16 with a phillips screwdriver.

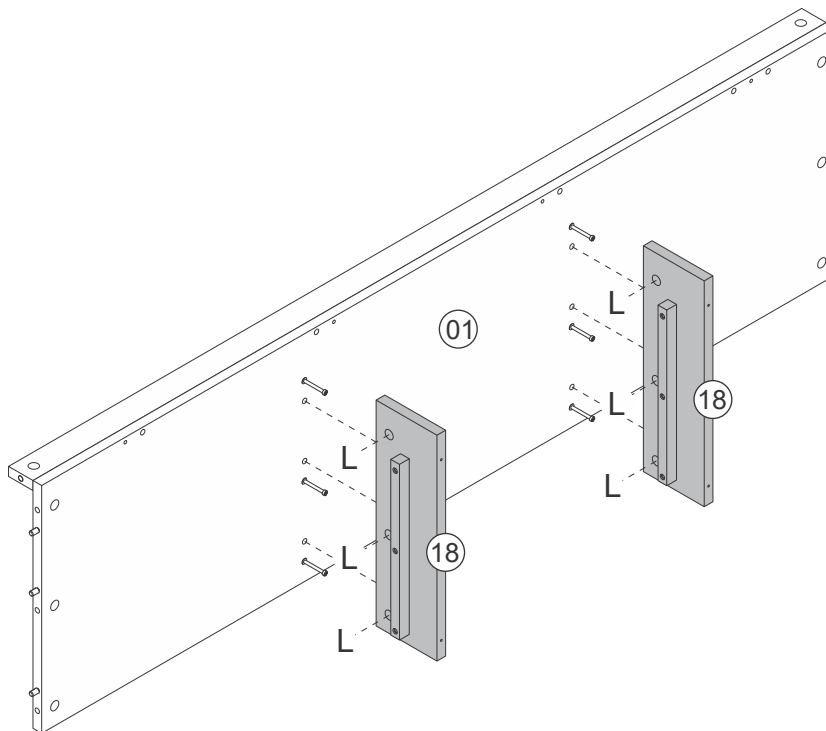
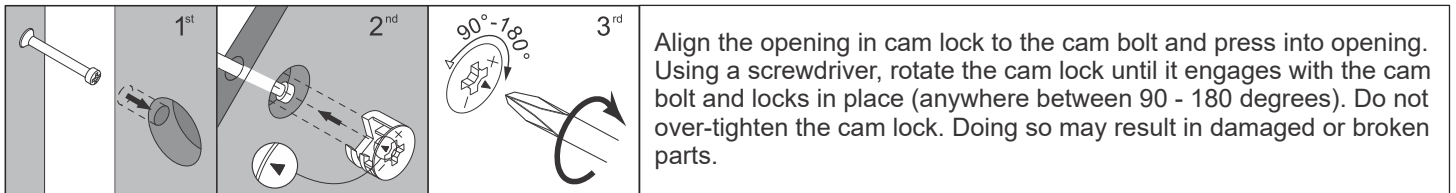


## Step 5



Secure part 19 to part 01 with screw (G) and phillips screwdriver.

## Step 6

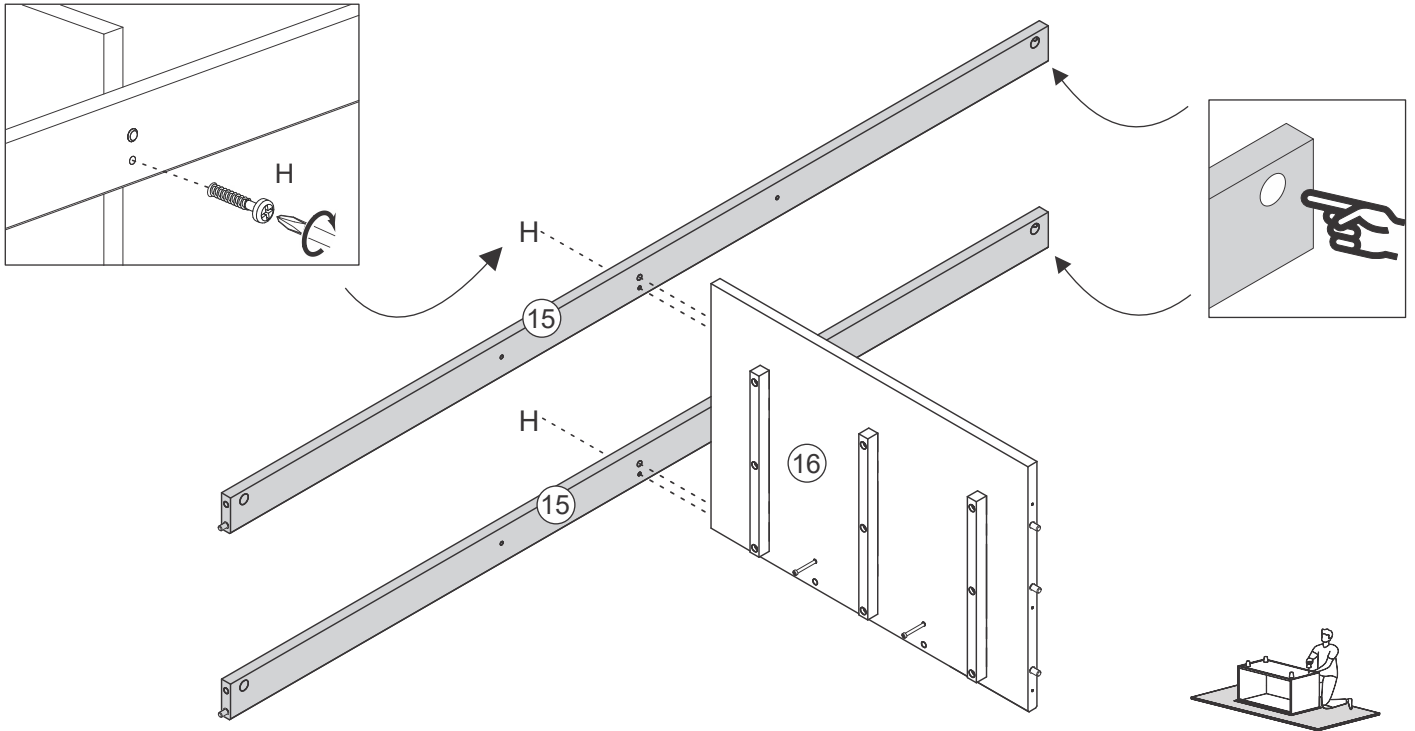


Secure part 18 to part 01. Insert cam locks (L) into part 18, and tighten with a phillips screwdriver.

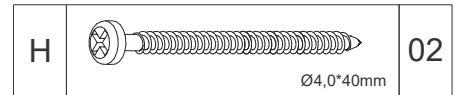




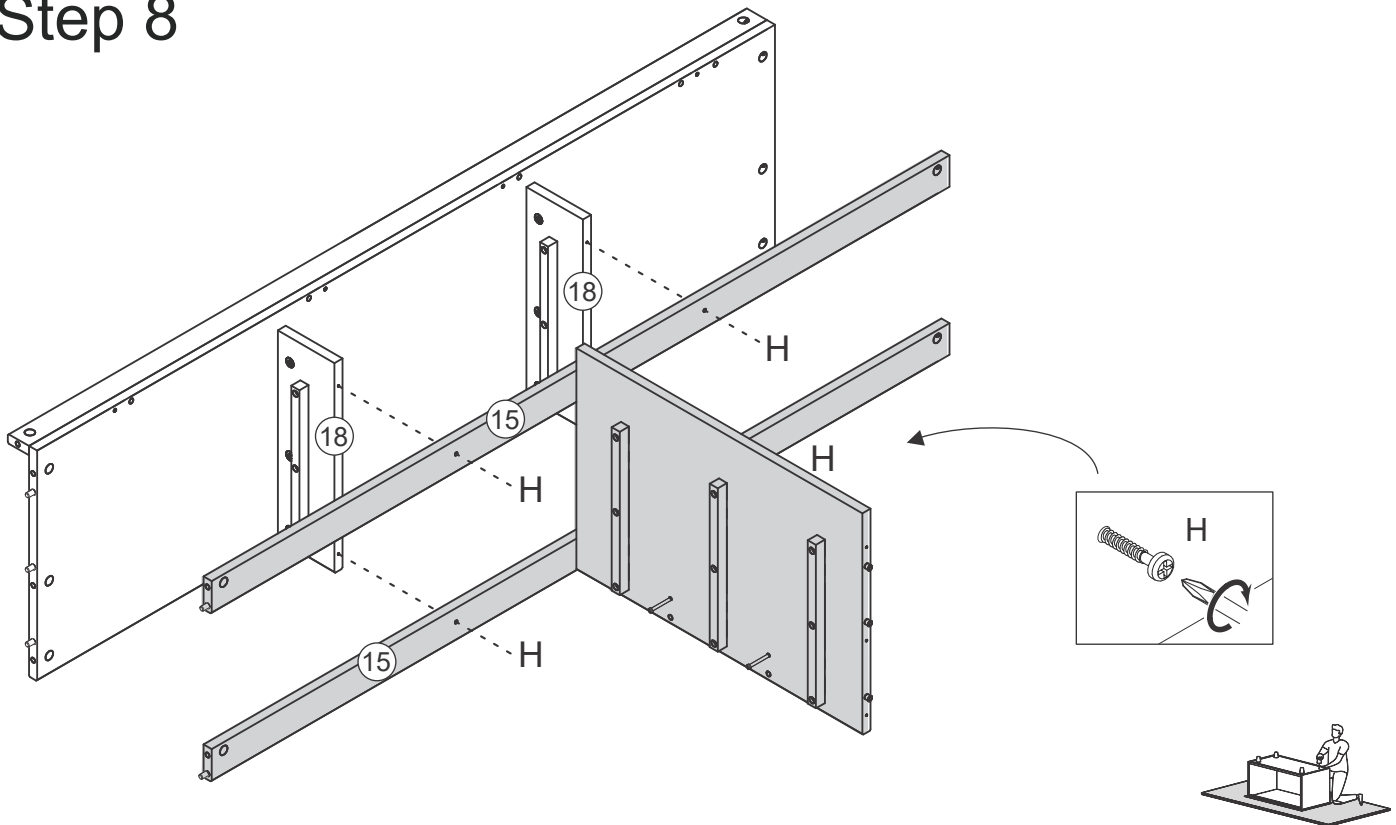
# Step 7



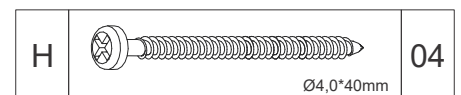
Secure part 15 to part 16 with screw (H) and phillips screwdriver in the pre holes.



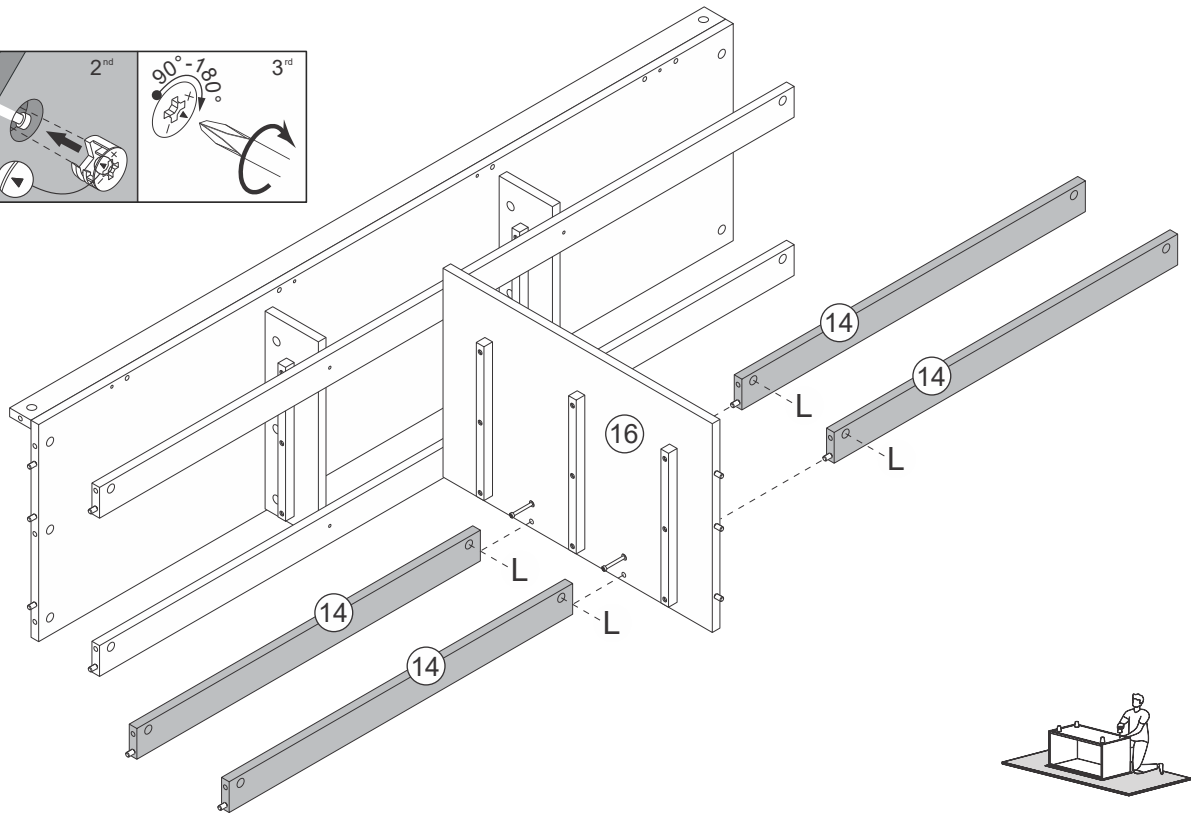
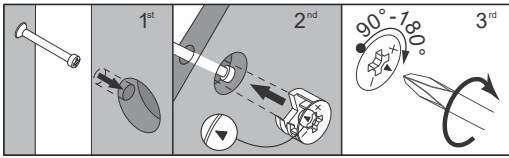
# Step 8



Secure part 15 to part 18 with screw (H) and phillips screwdriver



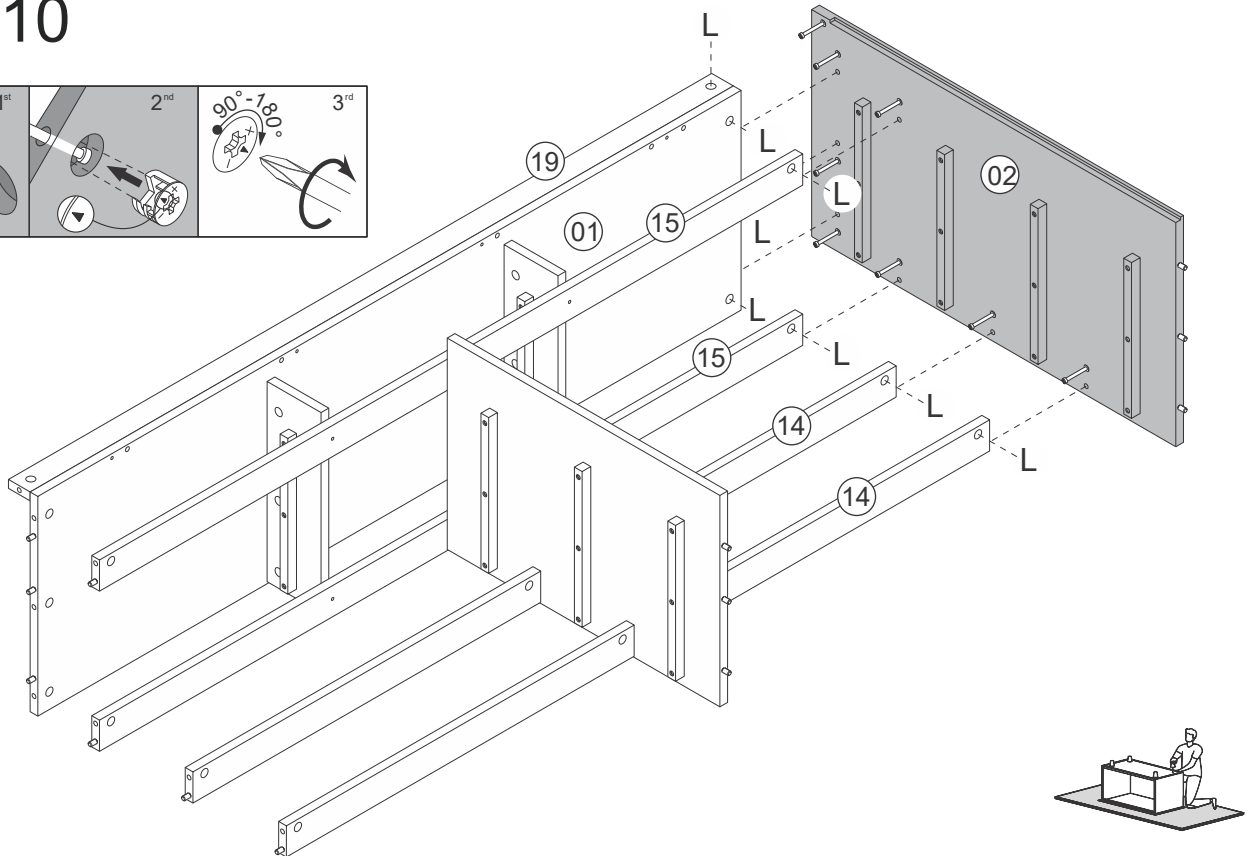
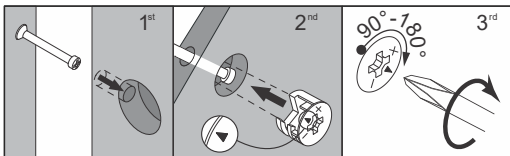
# Step 9



Secure part 14 to part 16. Insert cam locks (L) into part 14, and tighten with a phillips screwdriver.



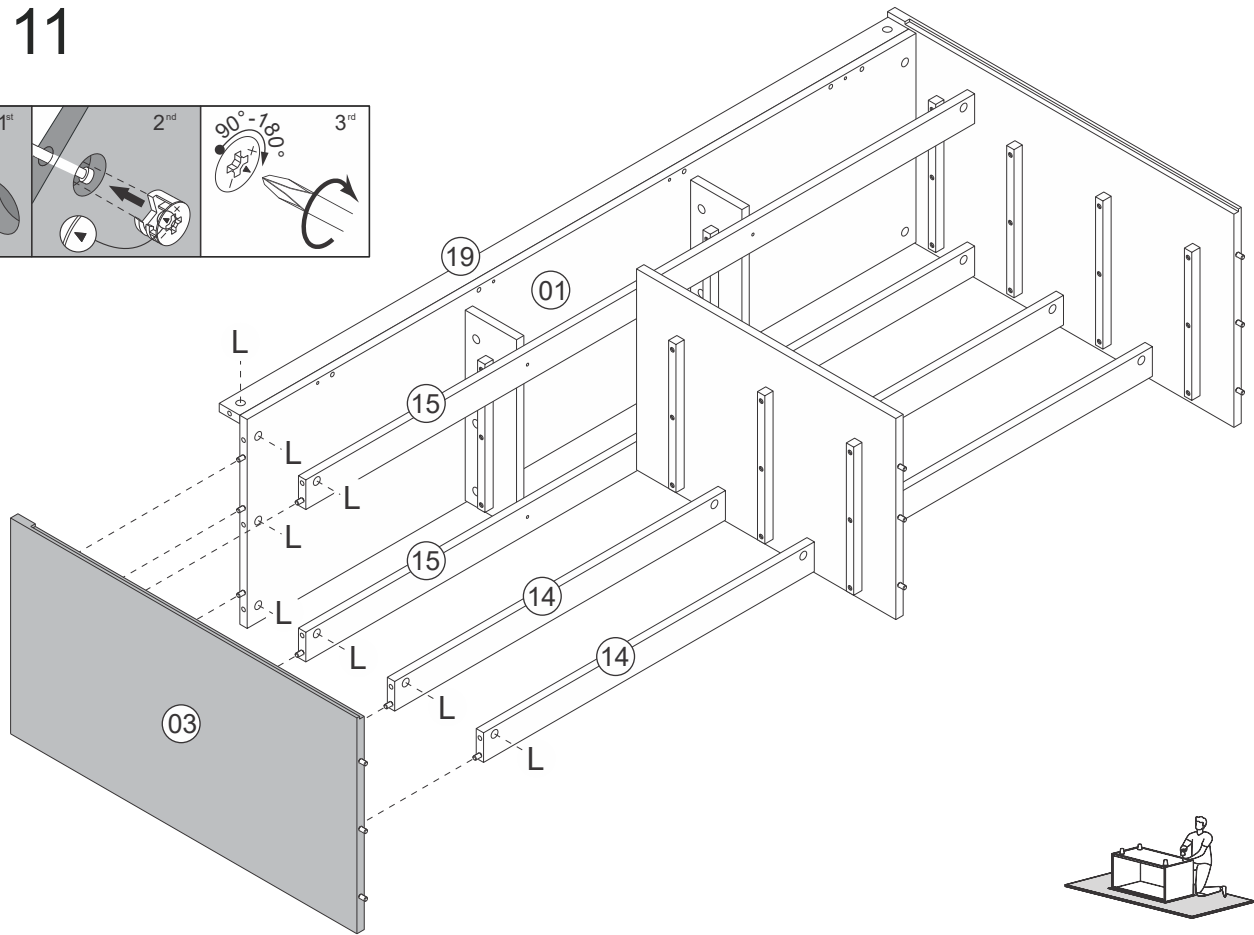
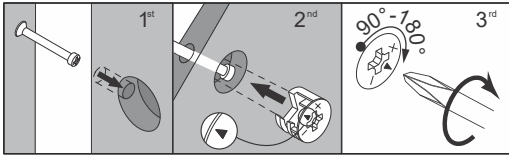
# Step 10



Secure parts 01, 14, 15 and 19 to part 02. Insert cam locks (L) into parts 01, 14, 15, 19 and tighten with a phillips screwdriver.



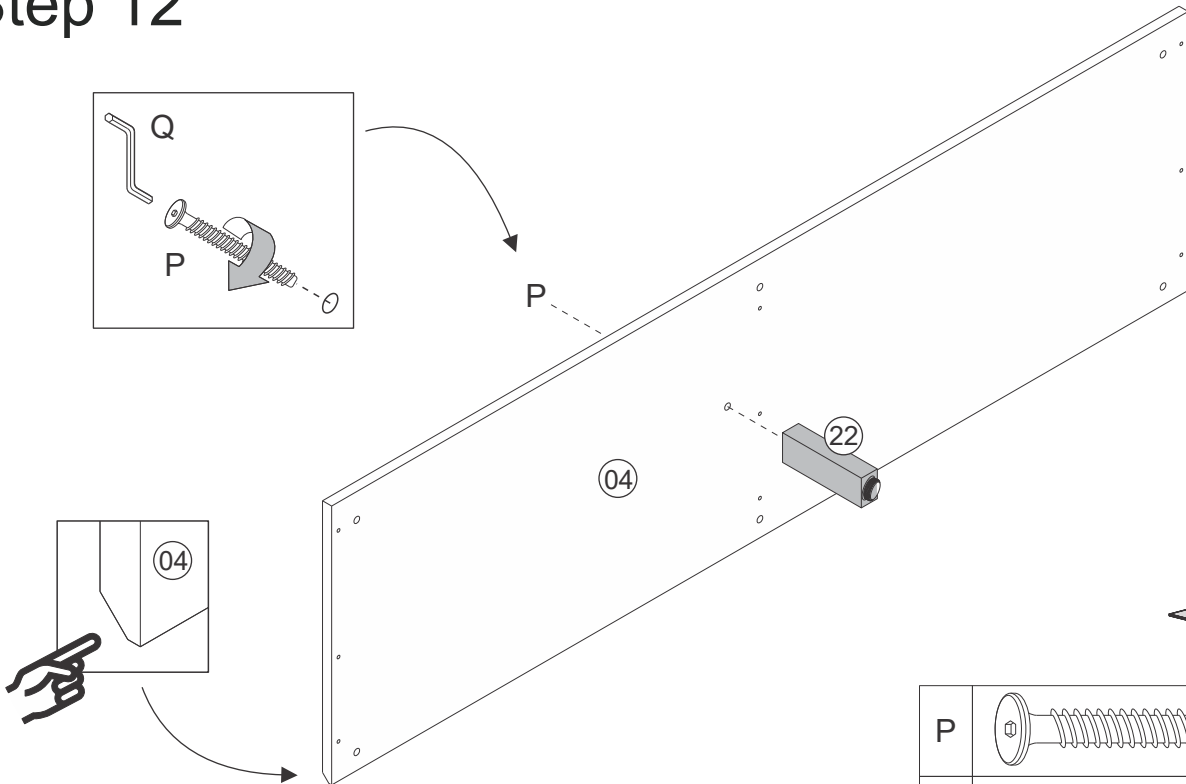
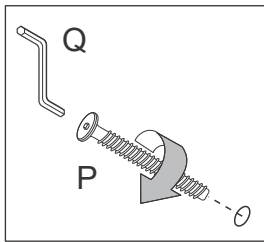
# Step 11

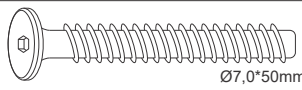



Secure parts 01, 14, 15 and 19 to part 03. Insert cam locks (L) into parts 01, 14, 15, 19 and tighten with a phillips screwdriver.

L		08
		Ø15*11mm

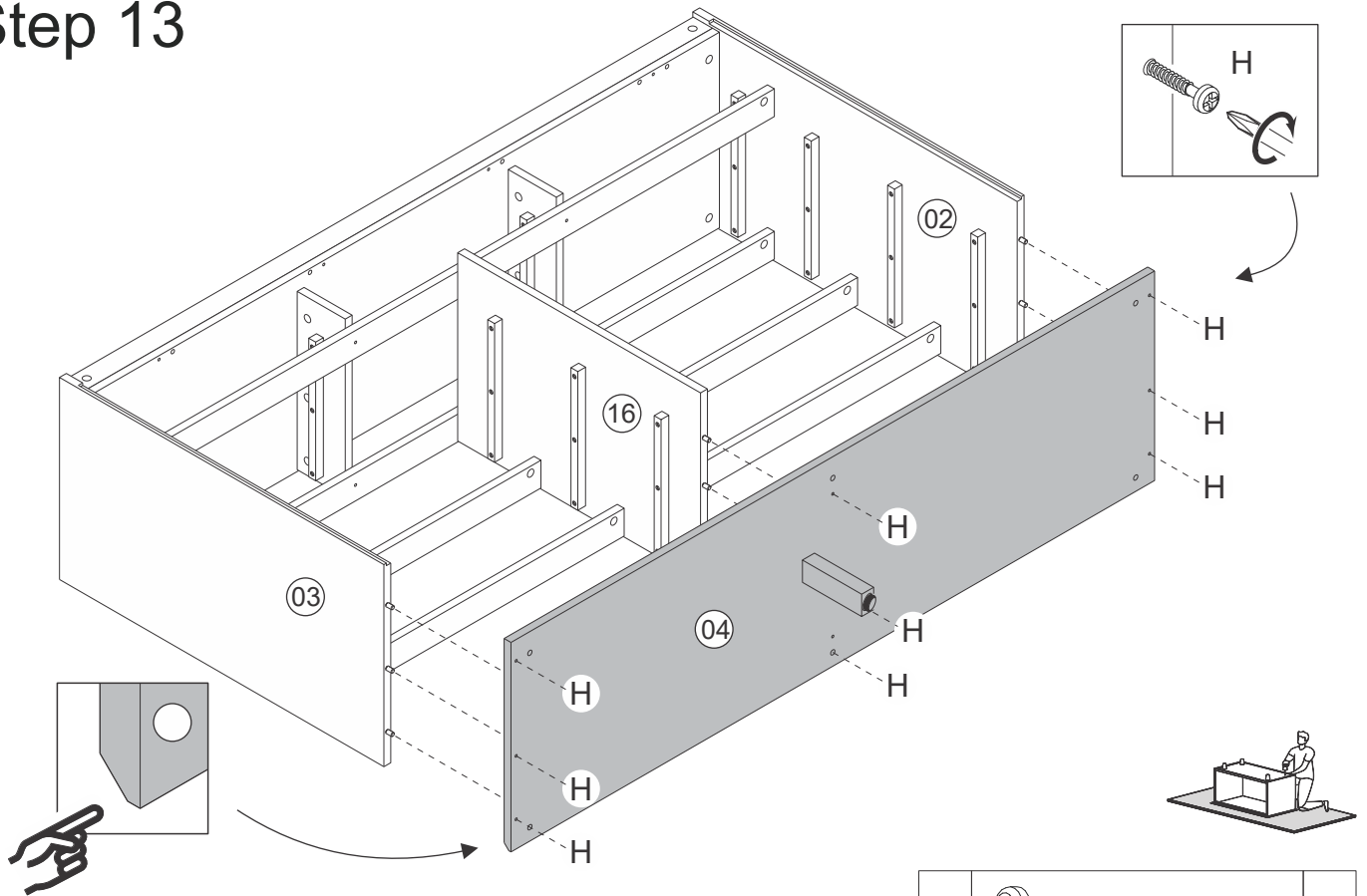
# Step 12



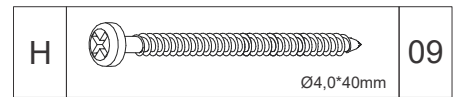
P		01
		Ø7,0*50mm
Q		01

Attach part 22 to part 04 with bolt (P) and hex key (Q).

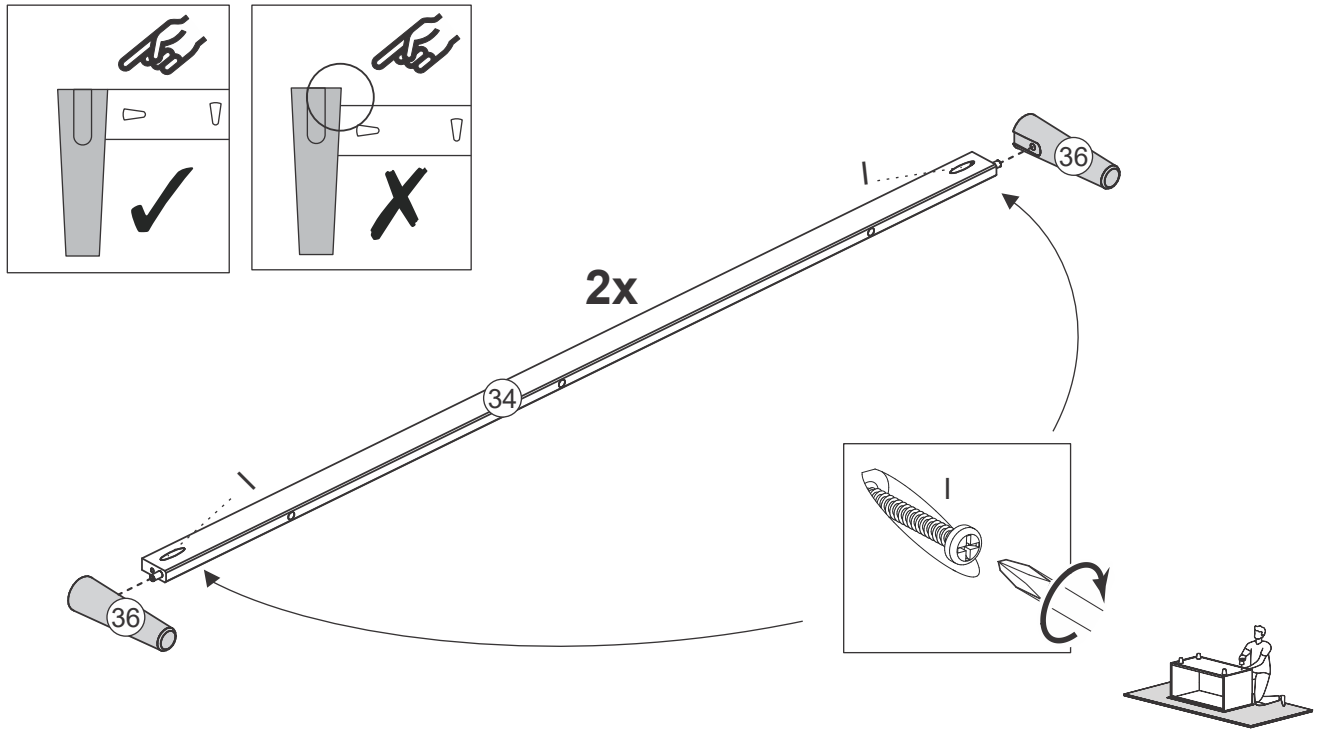
# Step 13



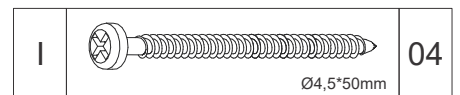
Secure part 04 to parts 02, 03 and 16 with screw (H) and phillips screwdriver.



# Step 14

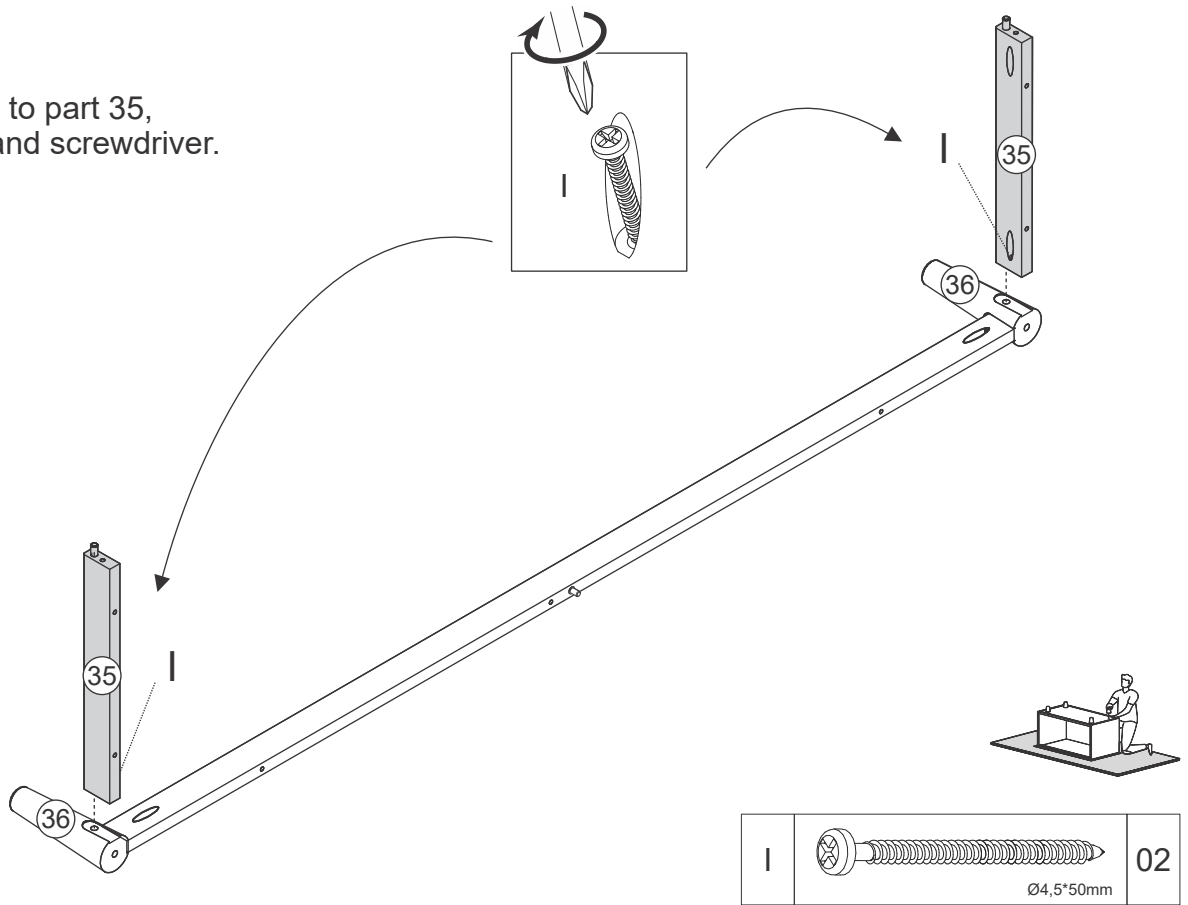


Secure part 34 to parts 36, with screw (I) and phillips screwdriver.



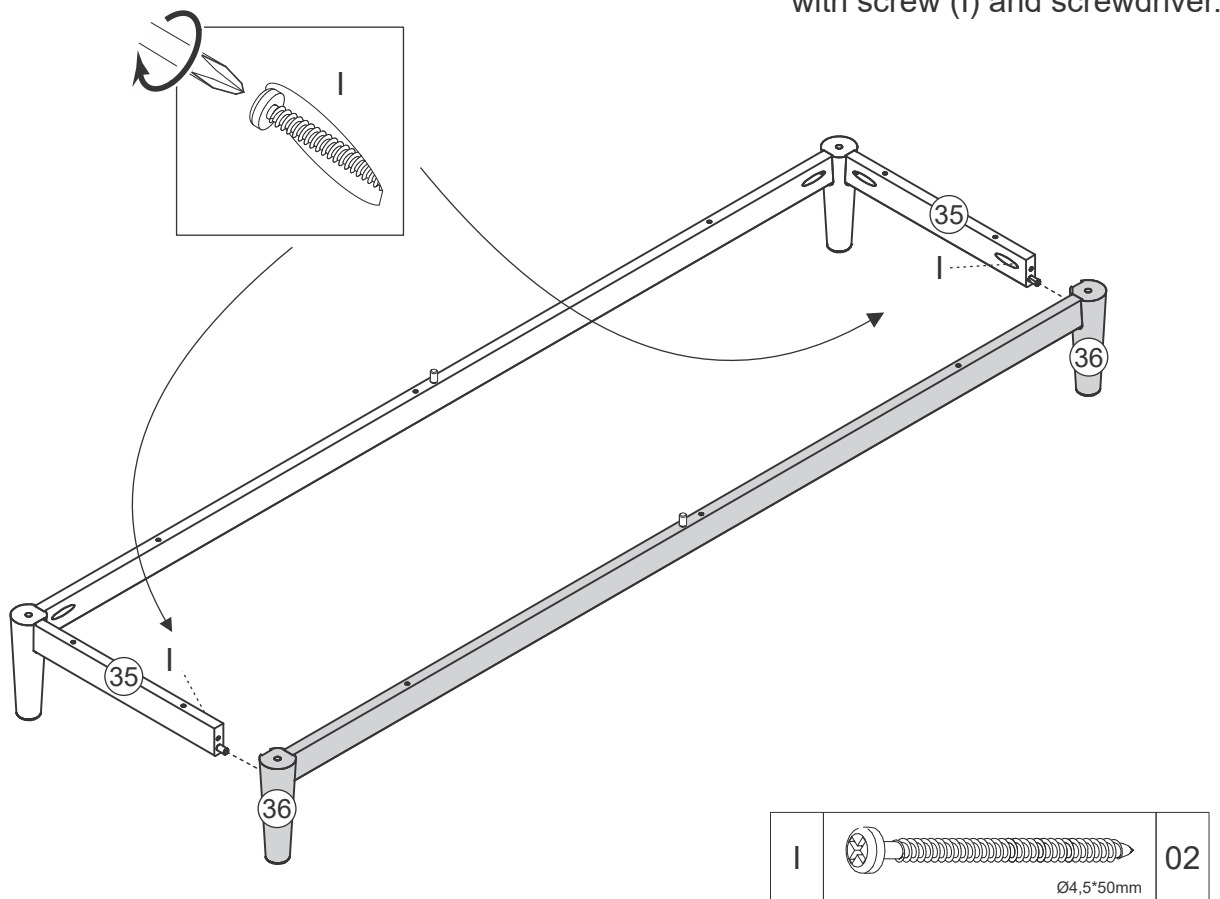
# Step 15

Secure part 36 to part 35, with screw (I) and screwdriver.

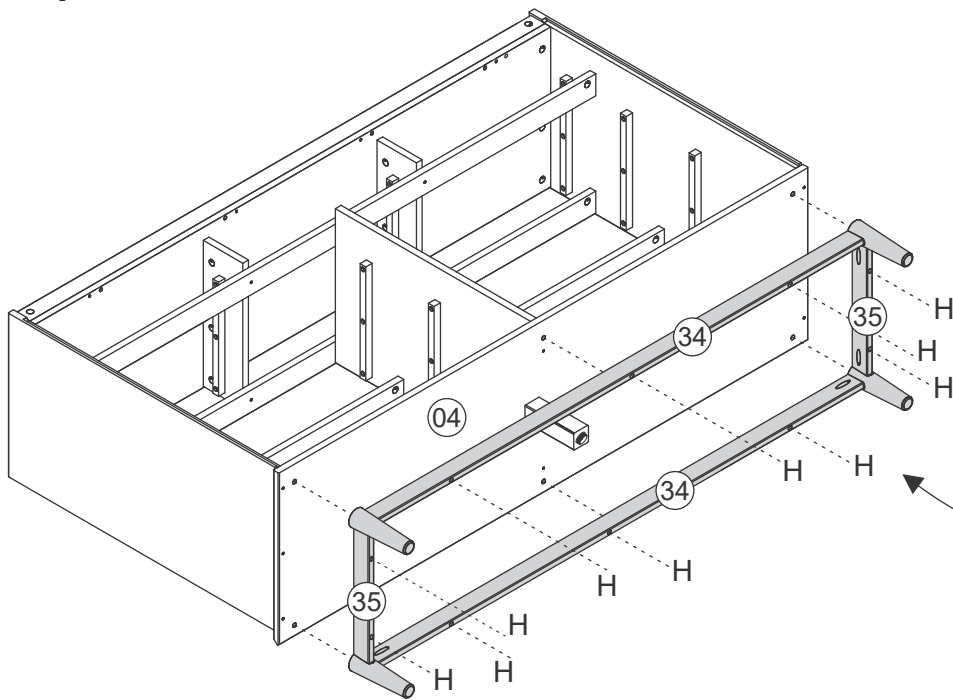


# Step 16


Secure part 36 to part 35, with screw (I) and screwdriver.



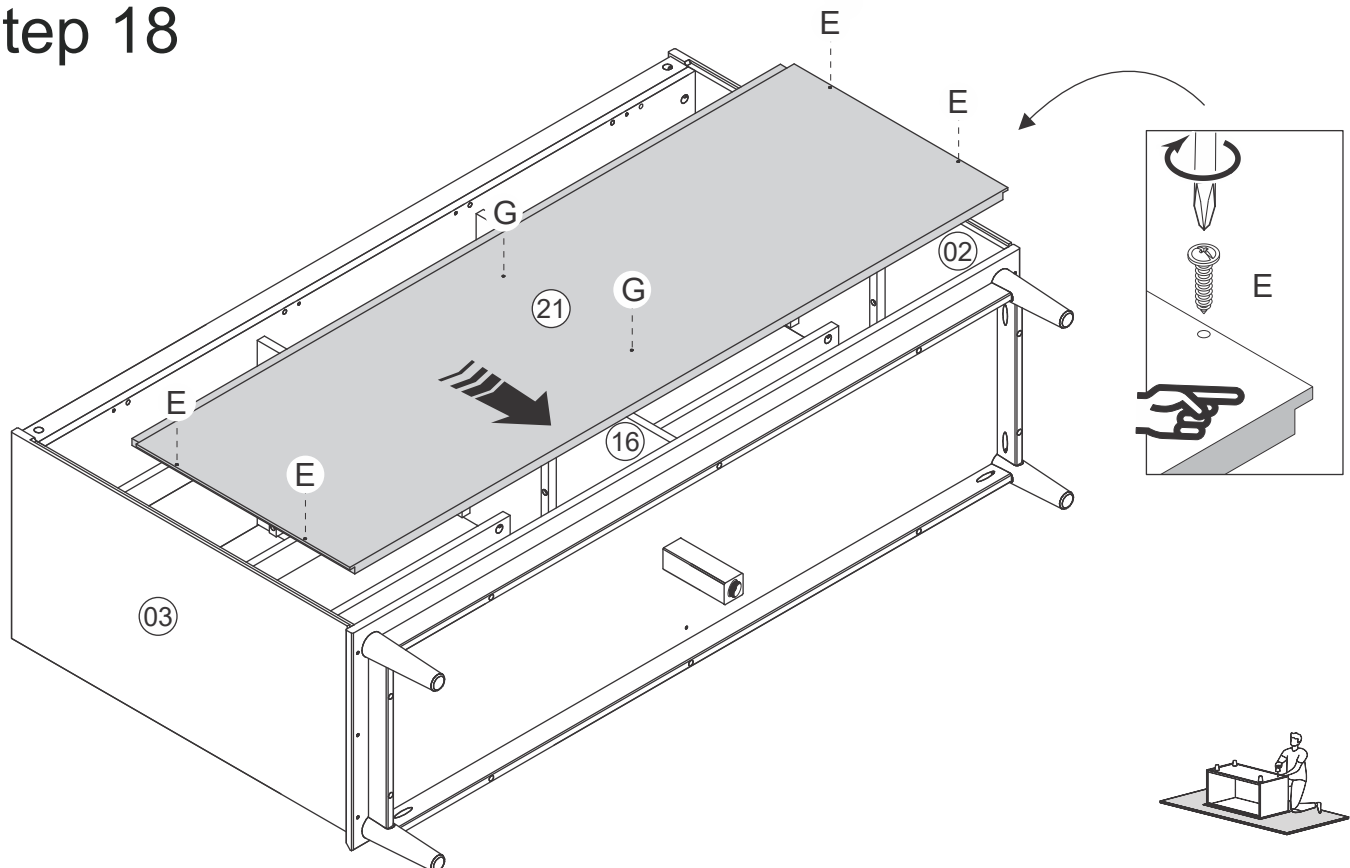
# Step 17





Secure parts 34 and 35 to part 04 with screw (G) and phillips screwdriver.

H		10
		Ø4,0*40mm

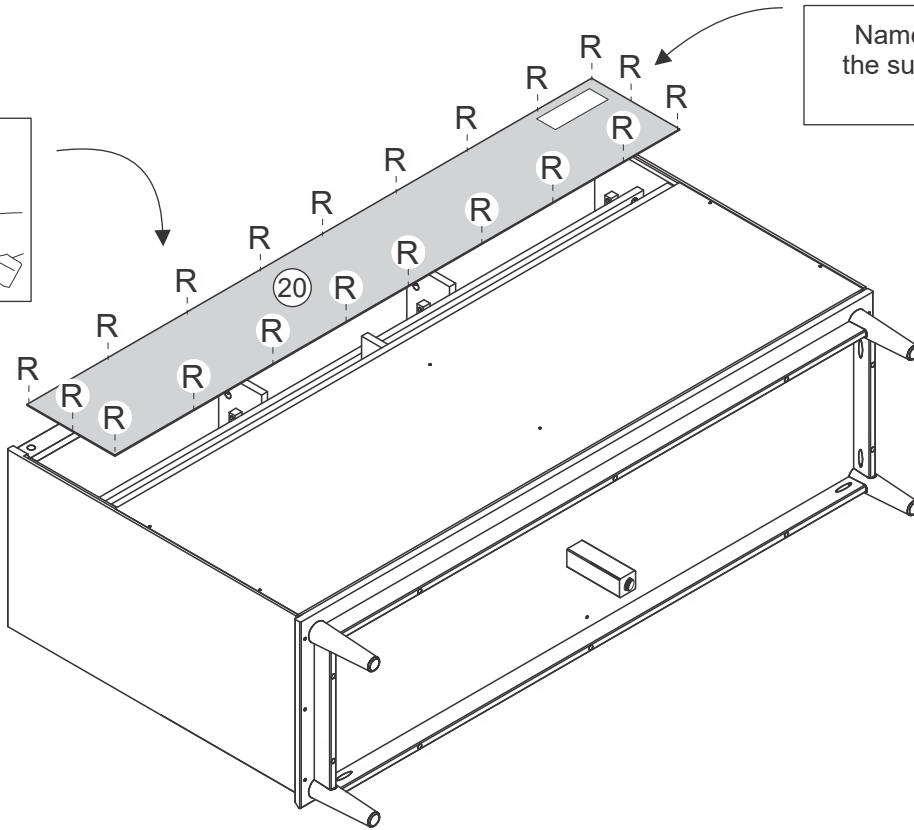
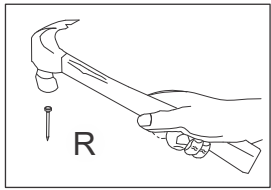
# Step 18



Secure back panel 21 to parts 02 and 03 as shown above with screw (E) and phillips screwdriver.  
Secure back panel 21 to part 16 with screw (G) and phillips screwdriver.

E		04
		Ø3,5*20mm
G		02
		Ø4,0*30mm

# Step 19



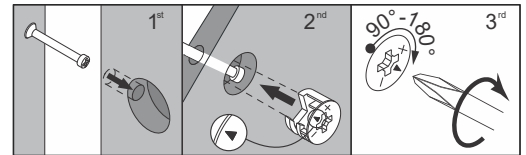
Name and address of the supplier and date of production



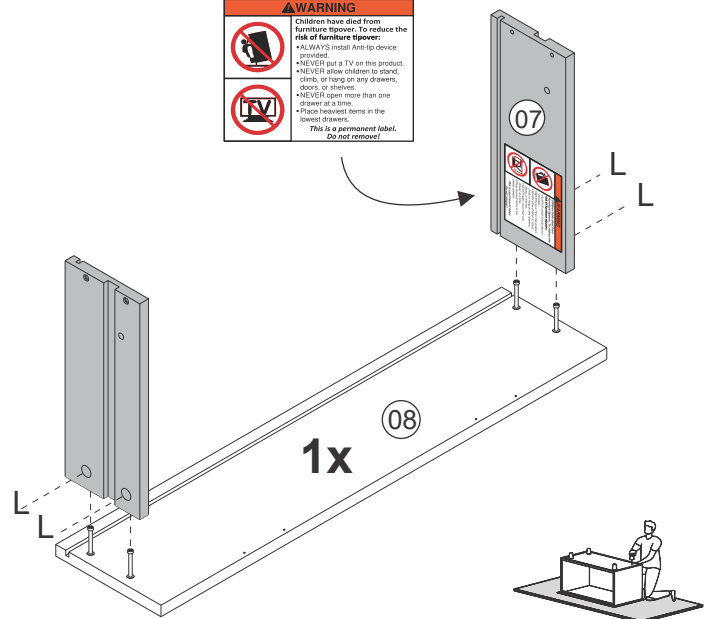
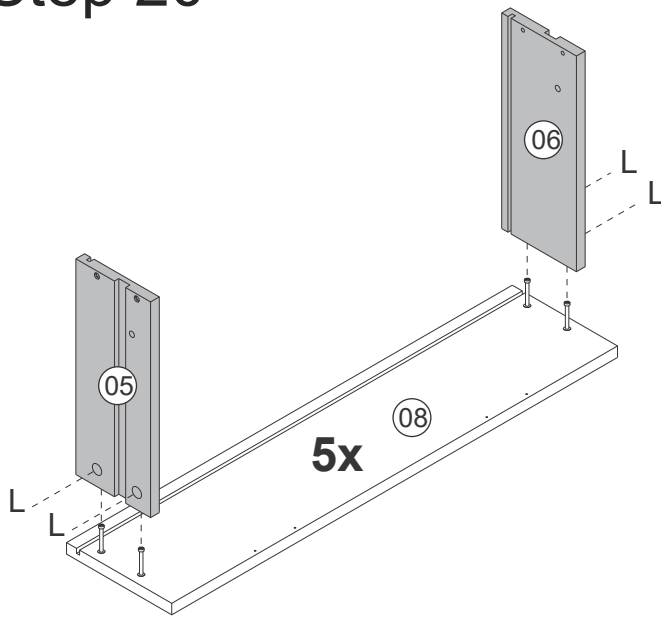
Secure back panel up 20 as shown above with nails (R) and hammer.

R		20
		Ø8,0*8mm

# Step 20



**WARNING**  
 Children have died from furniture tipover. To reduce the risk of furniture tipover:  
 • ALWAYS install Anti-tip device provided.  
 • NEVER put a TV on this product.  
 • NEVER allow children to stand, climb, or hang on any drawers, doors, or shelves.  
 • NEVER open more than one drawer at a time.  
 • Place heaviest items in the lowest drawers.  
 \*This is a permanent label. Do not remove!

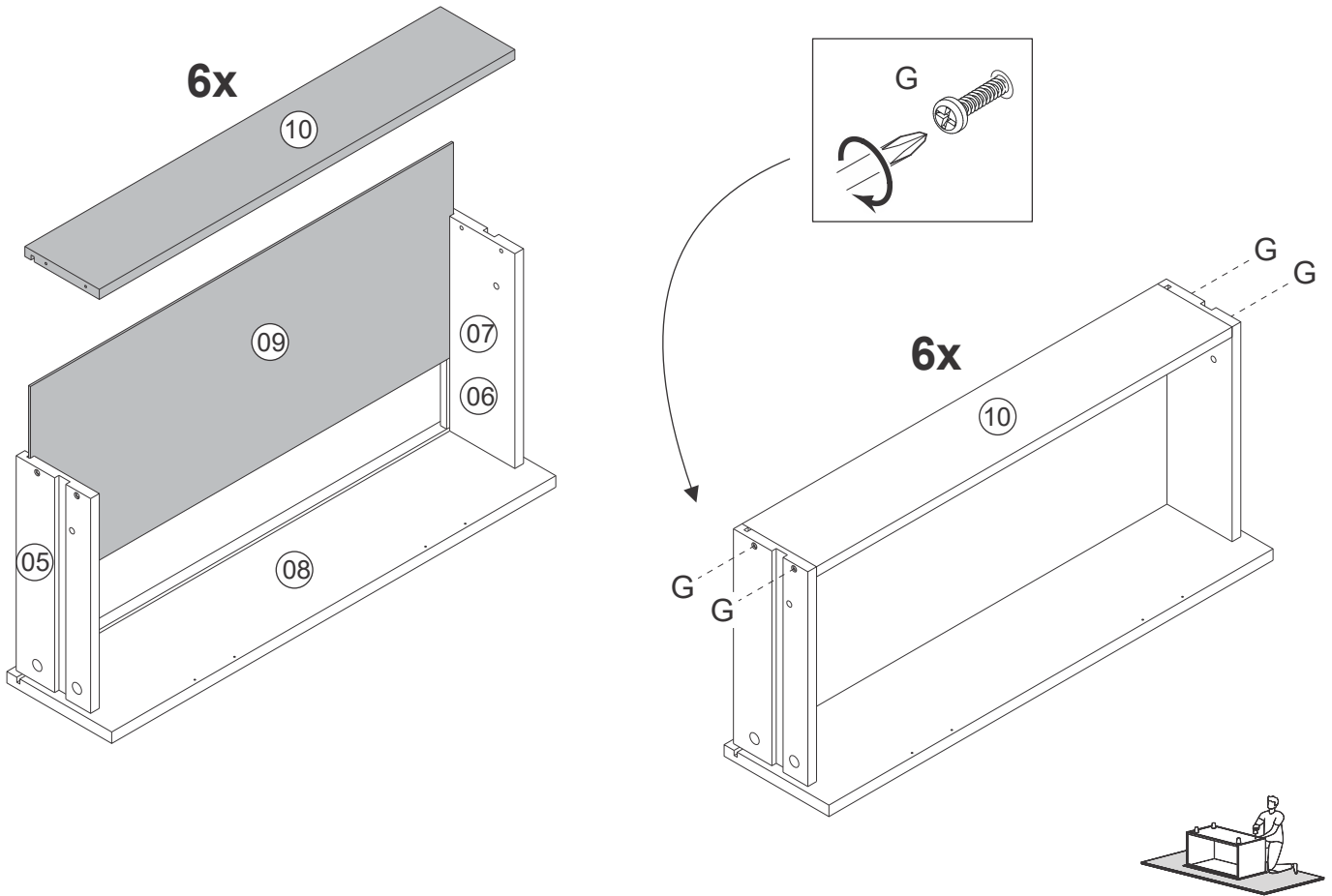


Secure part 05 and 06 to part 08.  
 Secure part 05 and 07 to part 08.  
 Insert cam locks (L) into parts 05, 06, 07 and tighten with a phillips screwdriver.

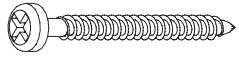
L		24
		Ø15*11mm



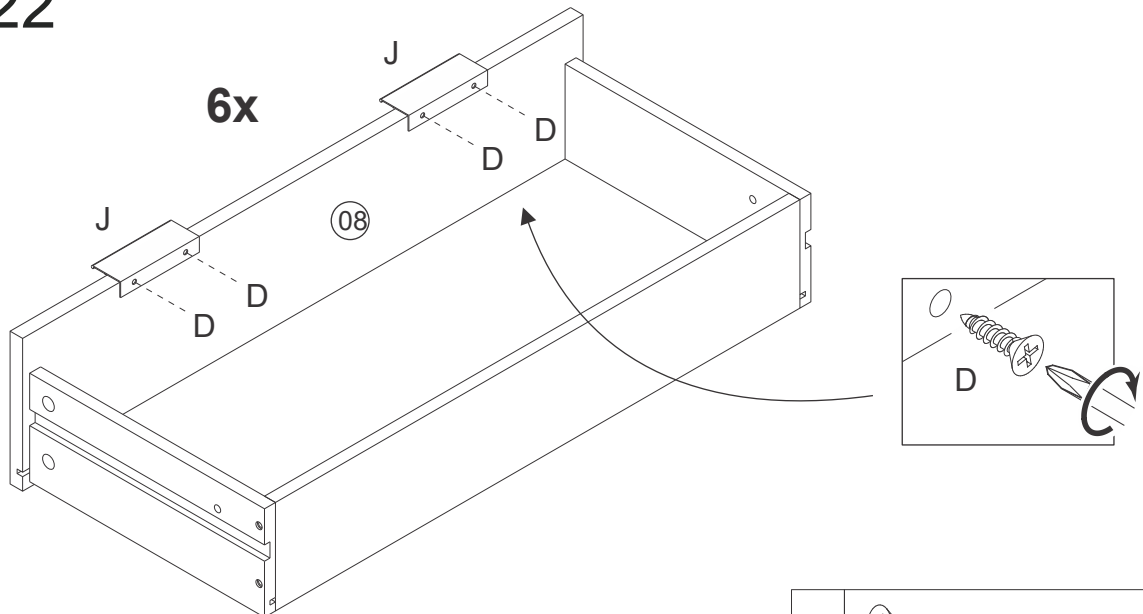
# Step 21




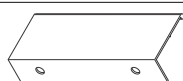
Insert parts 09 and 10 between parts 05, 06 and 07. Secure part 10 with screw (G) and phillips screwdriver.

G		24
<small>Ø4,0*30mm</small>		

# Step 22

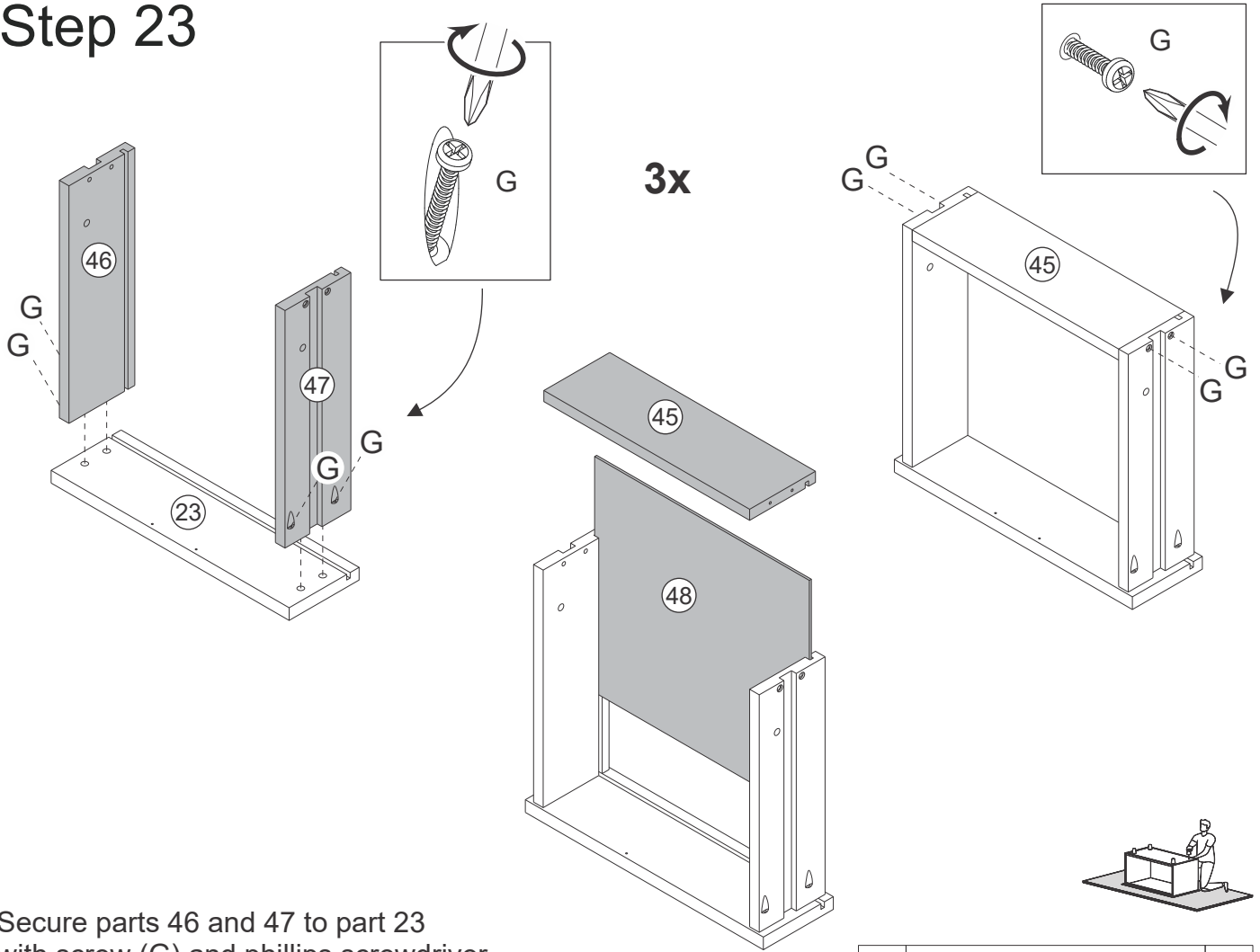


Secure handle (J) with screw (D) and phillips screwdriver, in the pre-drilled holes on the drawer front 08.

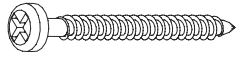
D		24
<small>Ø3,0*12mm</small>		
J		12



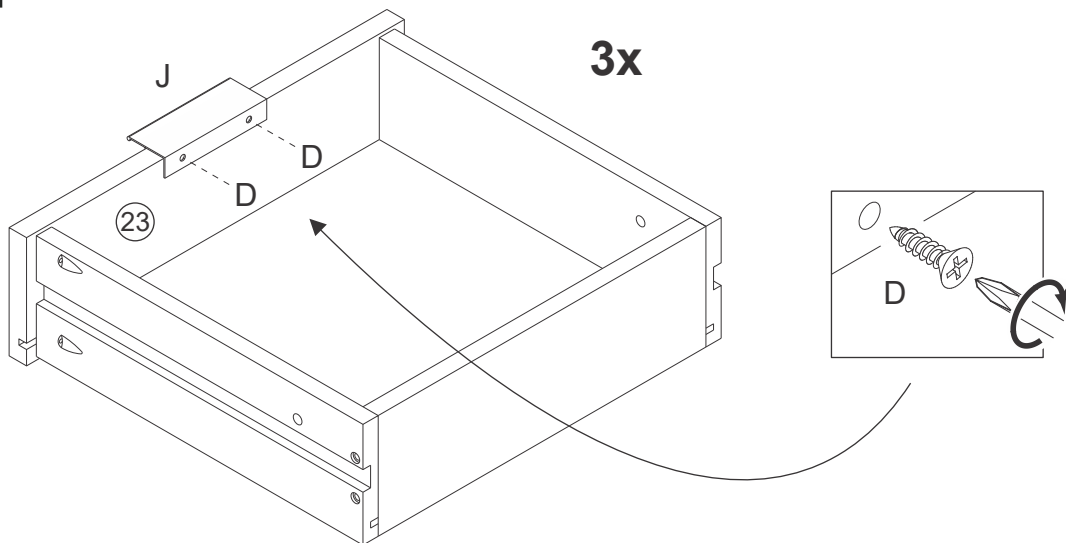
# Step 23




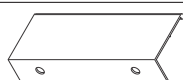
Secure parts 46 and 47 to part 23 with screw (G) and phillips screwdriver. Insert parts 48 and 45 between parts 46 and 47. Secure part 45 with screw (G) and phillips screwdriver.

G		24
Ø4,0*30mm		

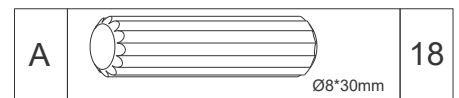
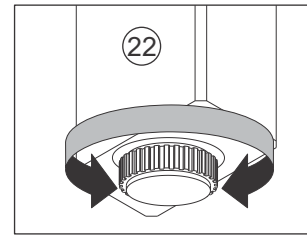
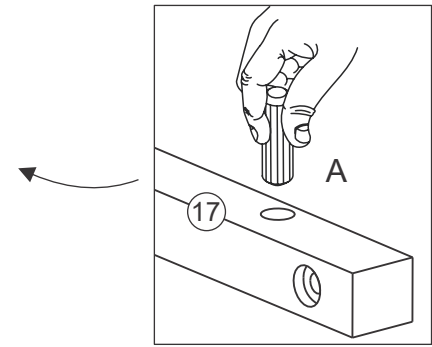
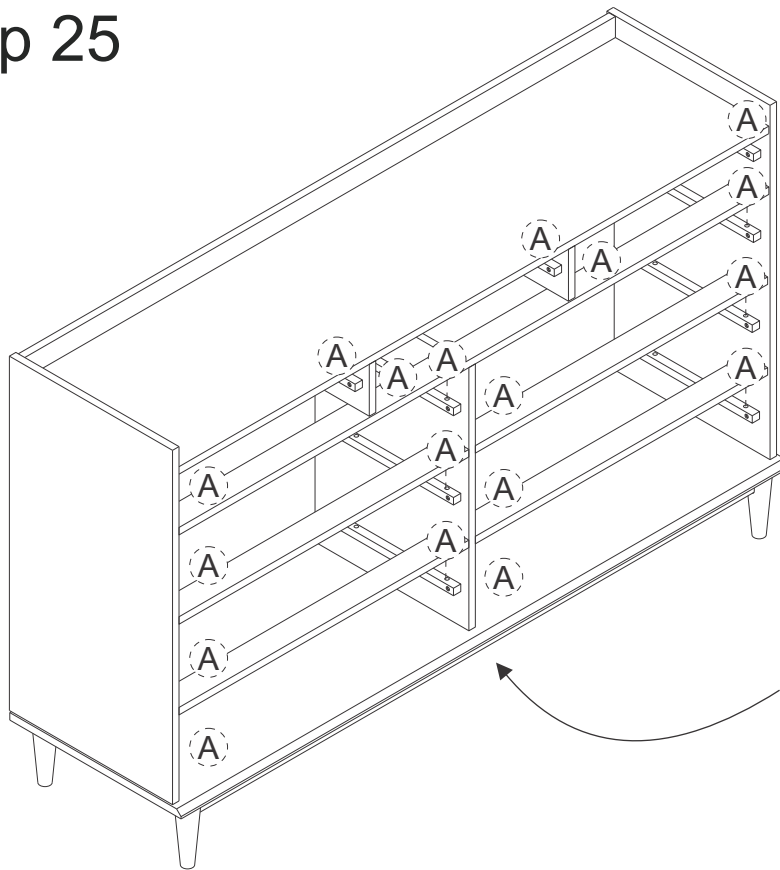
# Step 24



Secure handle (J) with screw (D) and phillips screwdriver in the pre-drilled holes on the drawer front 23.

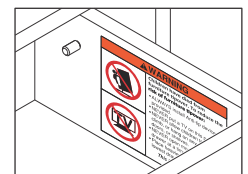
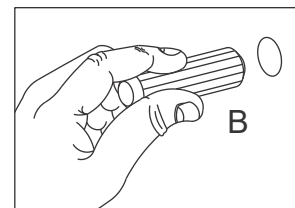
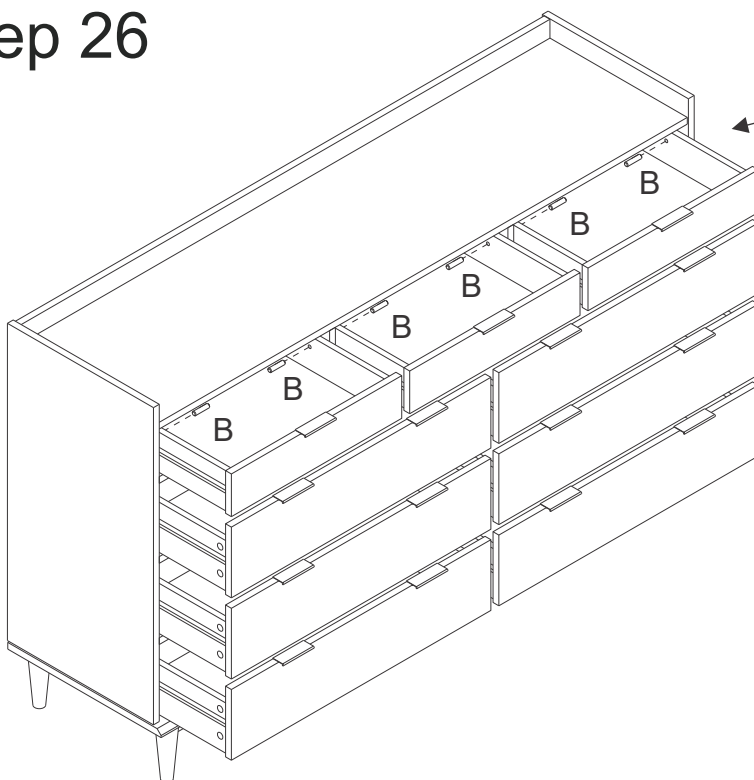
D		06
Ø3,0*12mm		
J		03

# Step 25



Insert wood dowel (A) into part 17 to be the stop of the drawer.

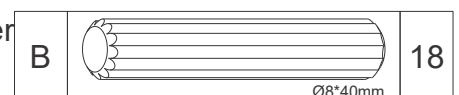
# Step 26



The assembled drawer with this warning must be placed on top of the unit.

Insert wood dowel (B) on the inside of all drawers, with the drawer inside the unit, after having passed the wood dowel that is in the drawer slide.

The dowel is not aligned with the panel, it is a little inside the drawer to help when you need to remove the lock dowel to remove the drawer.

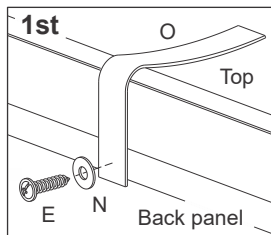


# Step 27

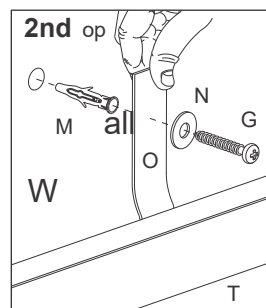
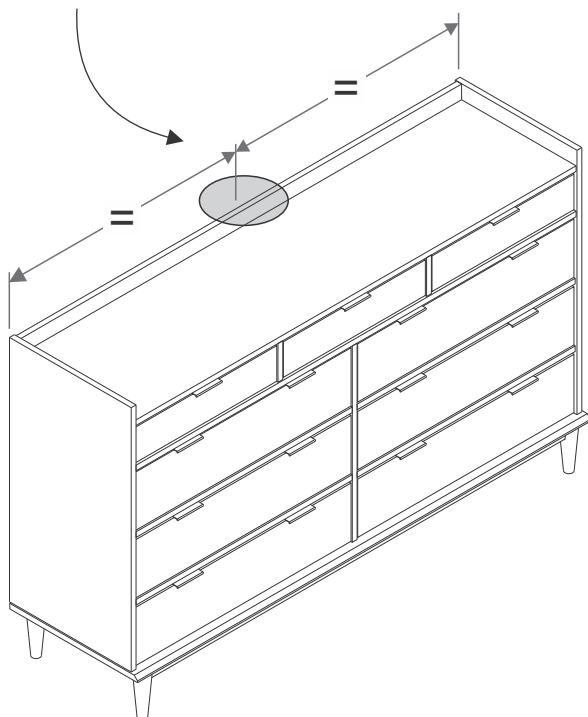
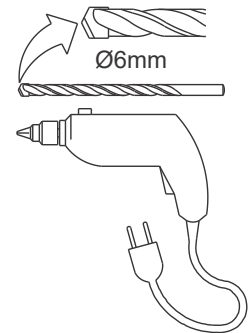
# WARNING

Serious or fatal injuries can occur from furniture tipping over. To prevent the furniture from tipping over we recommend that it is permanently fixed to the wall.

Wall anchor and hardware are included with this product. Please make sure hardware is suitable for your walls before installing, as different wall materials may require different types of anchors.

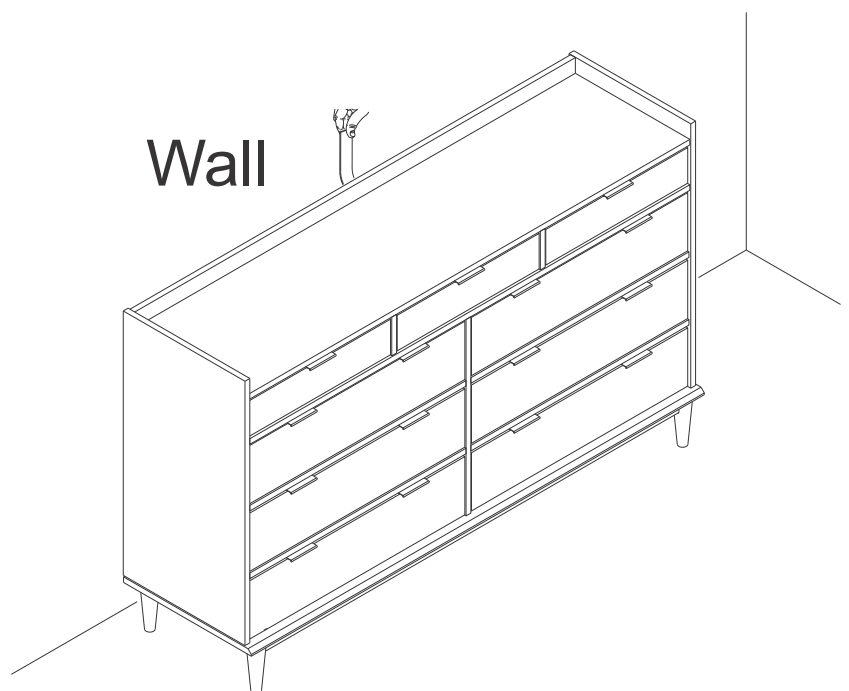



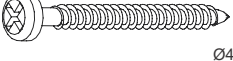
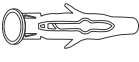

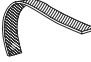
Attach part (O) with screw (E) and washer (N), in the frame of top panel unit.



With drilling machine make one hole in the wall. Insert part (M) in the hole. Secure part (O) with screw (G), and washer (N), in the wall.

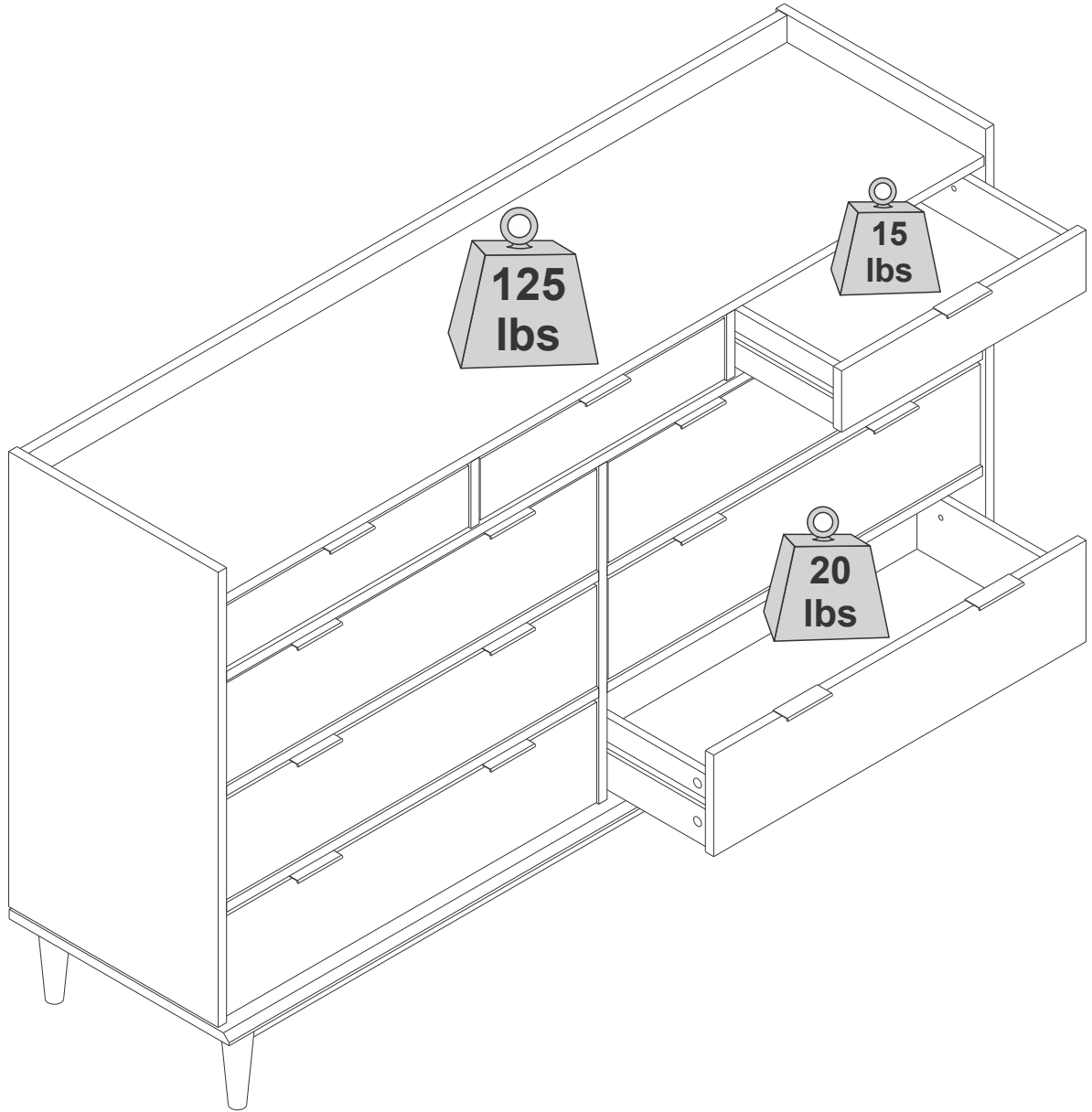
Wall



E		01
	Ø3,5*20mm	
G		01
	Ø4,0*30mm	
M		01
N		02
O		01

Name and address information for the manufacturer responsible for the anti-tip hardware and date of production can be found on the label on the back of the furniture.

# Step 28



**Assembly Complete!**

