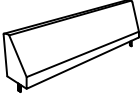
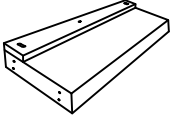
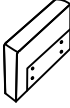
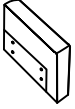



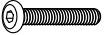




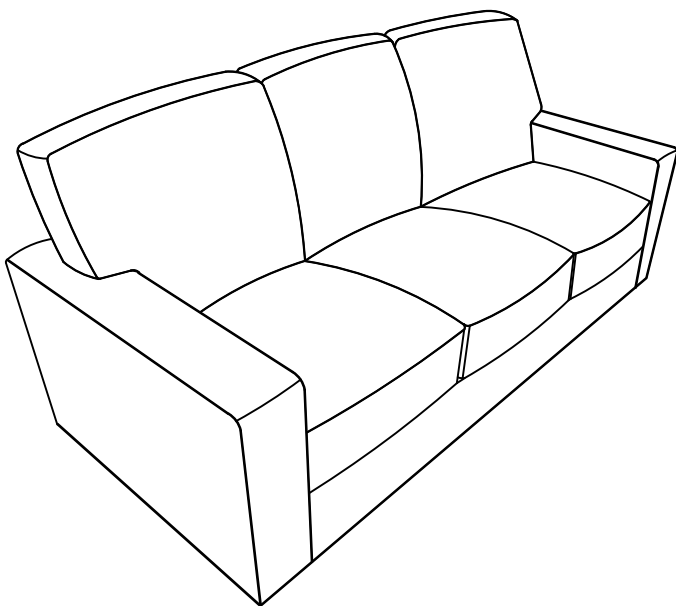


# ASSEMBLY INSTRUCTIONS

## SOFA

<b>A</b> Backrest  1 pc	<b>B</b> Seat Frame  1 pc	<b>C</b> Left Sofa Arm  1 pc	<b>D</b> Right Sofa Arm  1 pc
<b>E</b> Seat Cushion  3 pcs	<b>F</b> Side Back Cushion  2 pcs	<b>G</b> Mid Back Cushion  1 pc	<b>H</b> Allen Bolt Ø5/16" x 2-11/64"  1 pc
<b>I</b> Allen Bolt Ø5/16" x 1-1/2"  8 pcs	<b>J</b> Spring Washer Ø5/16" x 15/32"  9 pcs	<b>K</b> Flat Washer Ø5/16" x 3/4"  9 pcs	<b>L</b> Allen Key 4 x 2-23/64"  1 pc



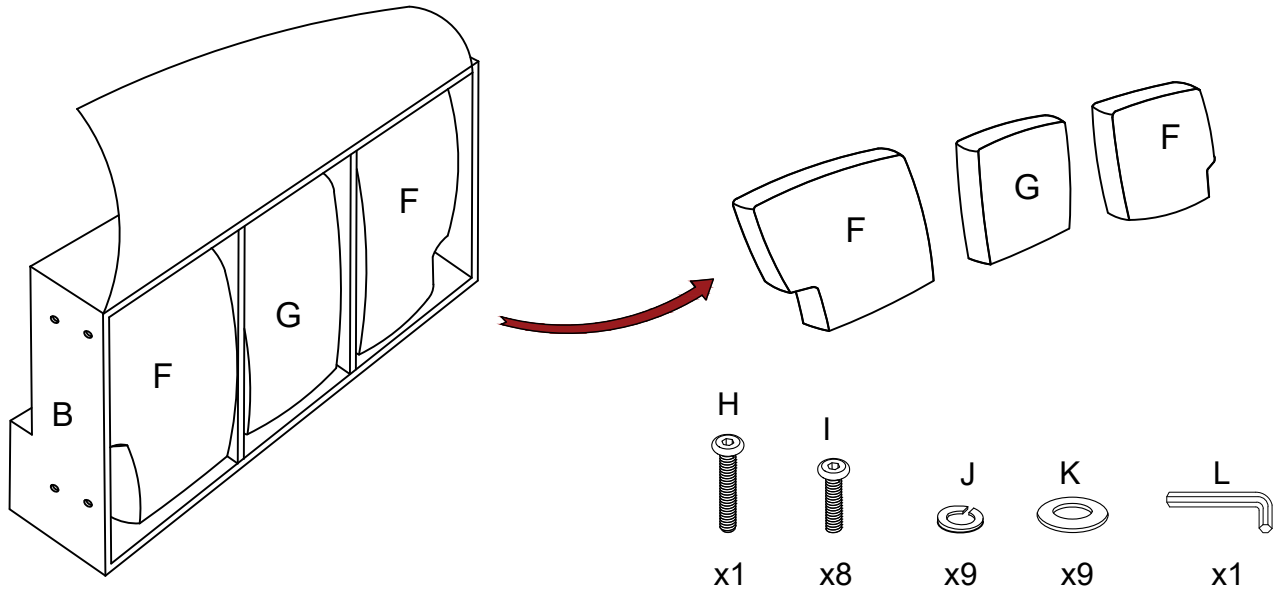
This page lists all the contents included in the box. Please take the time to identify the hardware as well as the individual components to this product. As you unpack and prepare for assembly, place the contents on a carpeted or padded area to protect them from damage.

### IMPORTANT NOTE:

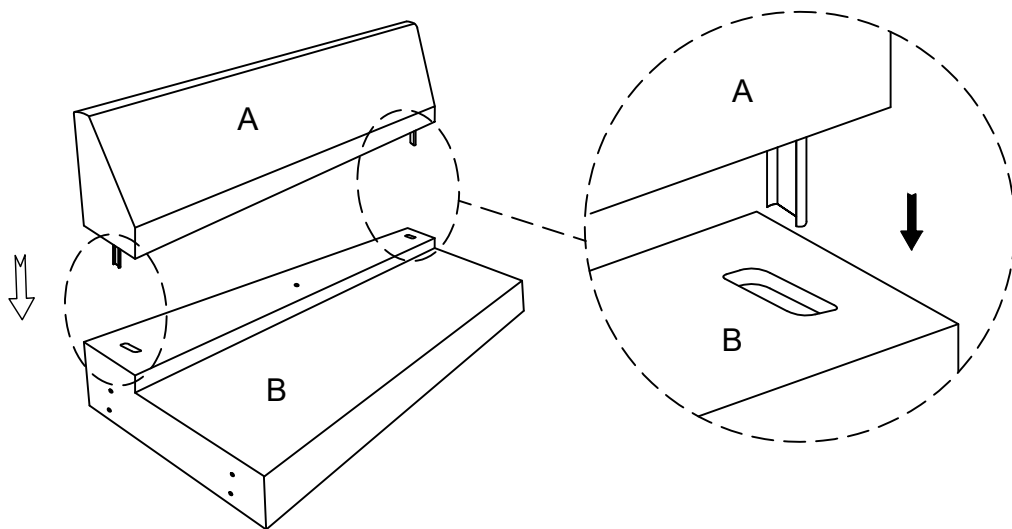
1. Do not tighten all screws / bolts until all completely assembled.
2. Keep all hardware parts out of reach of children.

\*\*\* Do not tighten screws & bolts until the entire unit is completely assembled.

- 1 Take out the Side & Mid Back Cushion (F & G) and the hardware bag from the bottom of the Seat Frame (B).

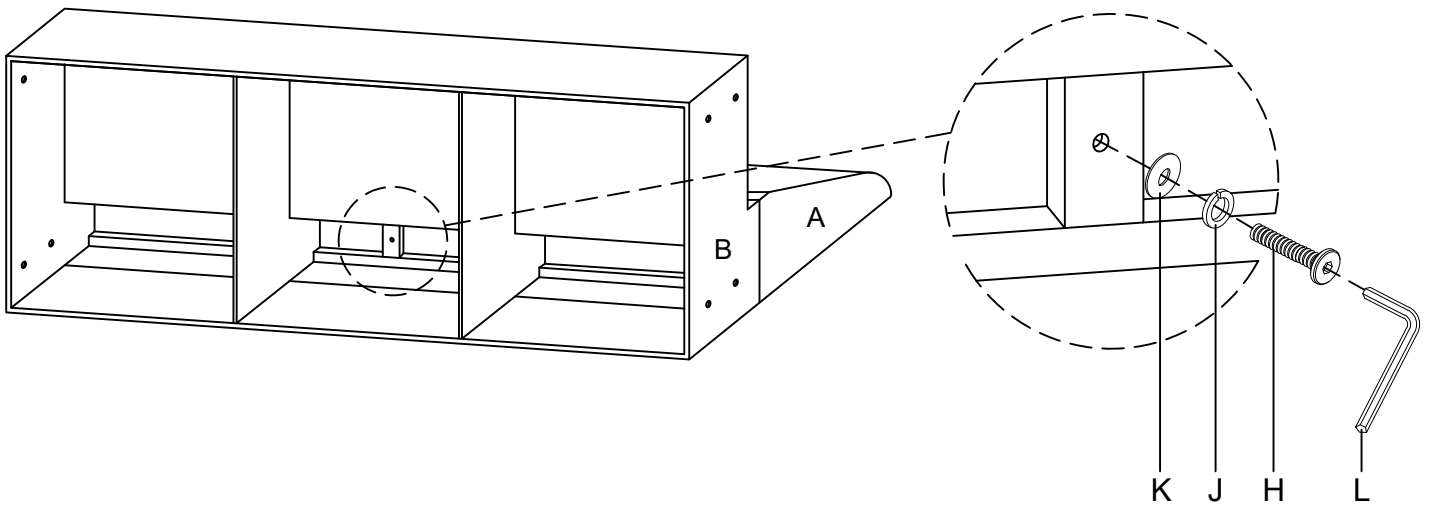


- 2 Attach the Backrest (A) to the Seat Frame (B).

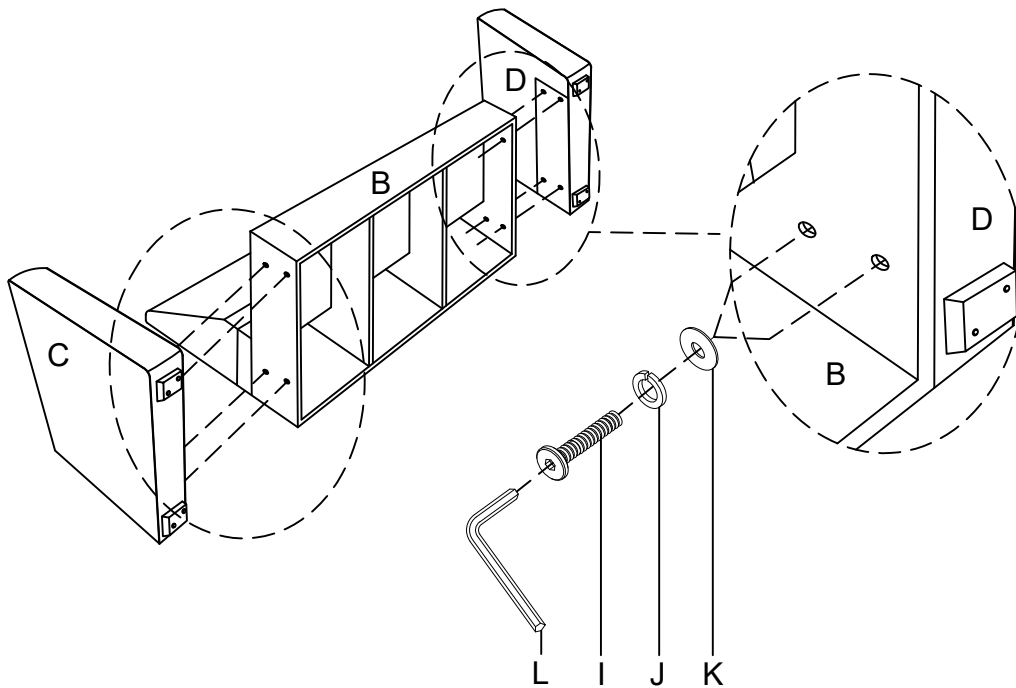


\*\*\* Do not tighten screws & bolts until the entire unit is completely assembled.

- 3** Connect the Backrest (A) to the Seat Frame (B) using Allen Bolt (H), Spring Washer (J) and Flat Washer (K) with the Allen Key (L).

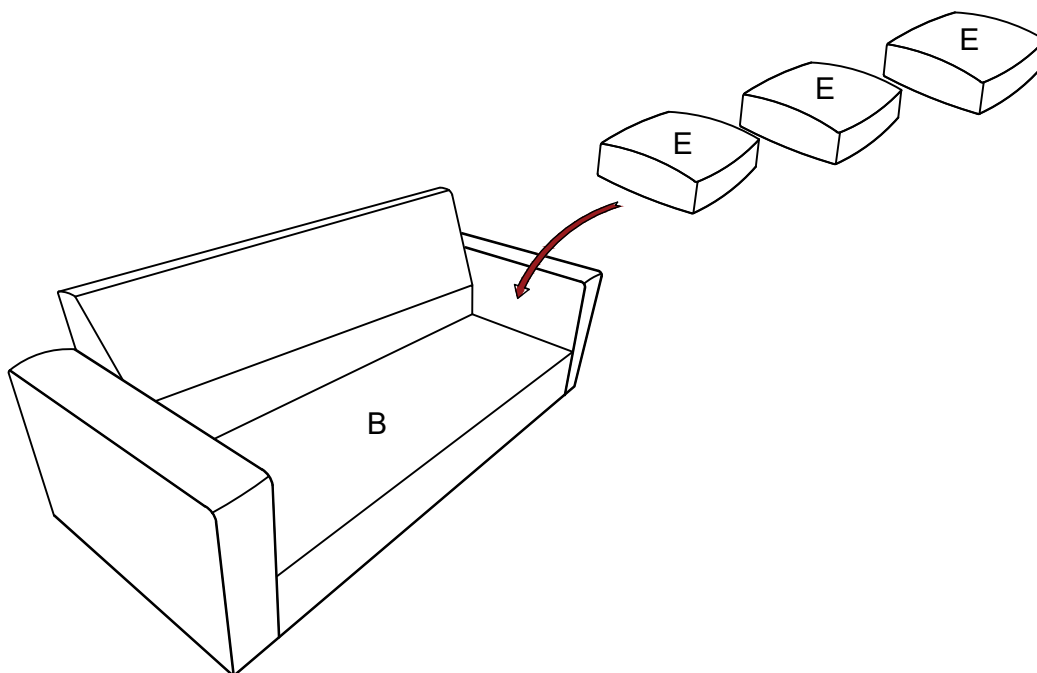


- 4** Attach the Left & Right Sofa Arm (C & D) to the Seat Frame (B) using Allen Bolt (I), Spring Washer (J) and Flat Washer (K) with the Allen Key (L).

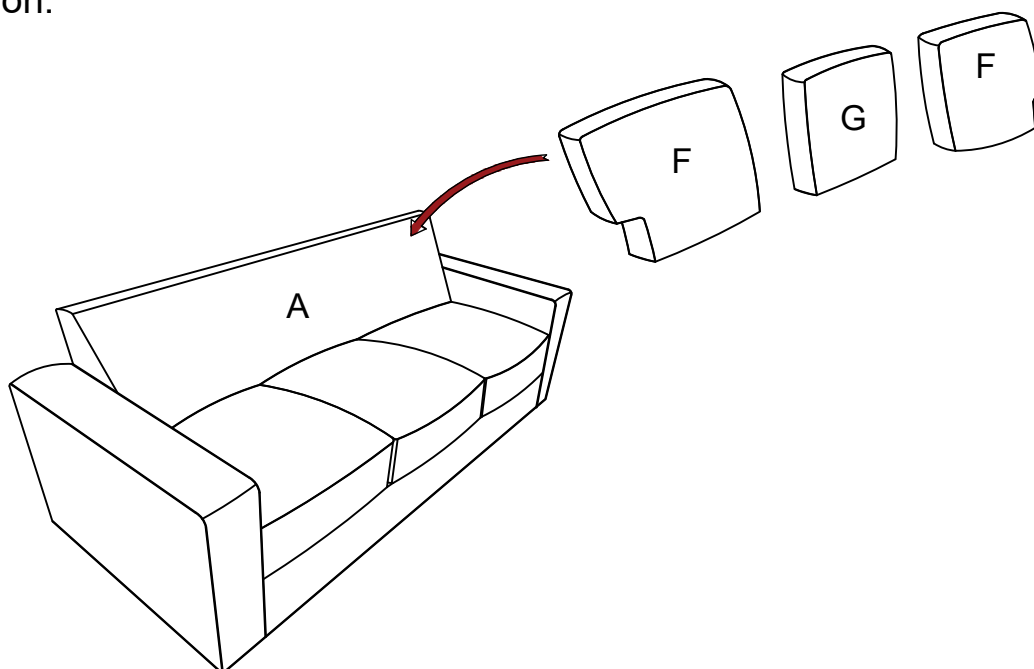


\*\*\* Do not tighten screws & bolts until the entire unit is completely assembled.

**5** Place the Seat Cushion (E) into the Seat Frame (B).



**6** Place the Side Back Cushion (F) and the Mid Back Cushion (G) in the Backrest (A) position.

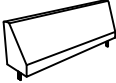
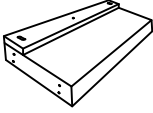
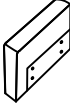
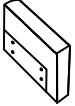


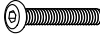
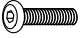


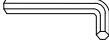


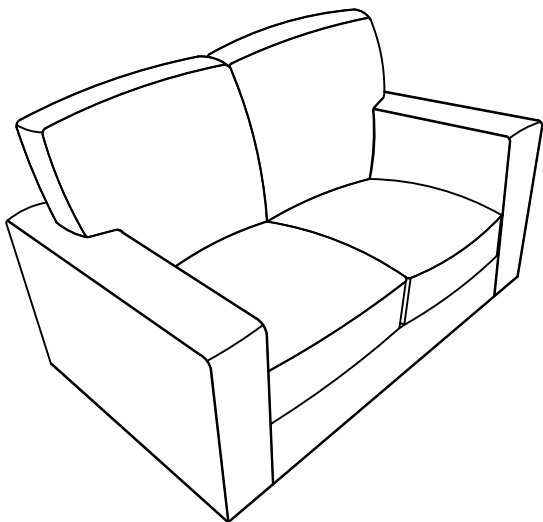
### Cleaning & Care

Treat surfaces with care. Surfaces are resistant to scratches but are not scratch resistant. Clean surfaces with a dry or damp soft cloth. Do not use abrasive cleaners. Hardware may loosen over time. Periodically check that all connections are tight.

# ASSEMBLY INSTRUCTIONS

## LOVESEAT

<b>A</b> Backrest  1 pc	<b>B</b> Seat Frame  1 pc	<b>C</b> Left Arm  1 pc	<b>D</b> Right Arm  1 pc
<b>E</b> Seat Cushion  2 pcs	<b>F</b> Back Cushion  2 pcs	<b>G</b> Allen Bolt Ø5/16" x 2-11/64"  1 pc	<b>H</b> Allen Bolt Ø5/16" x 1-1/2"  8 pcs
<b>I</b> Spring Washer Ø5/16" x 15/32"  9 pcs	<b>J</b> Flat Washer Ø5/16" x 3/4"  9 pcs	<b>K</b> Allen Key 4 x 2-23/64"  1 pc	



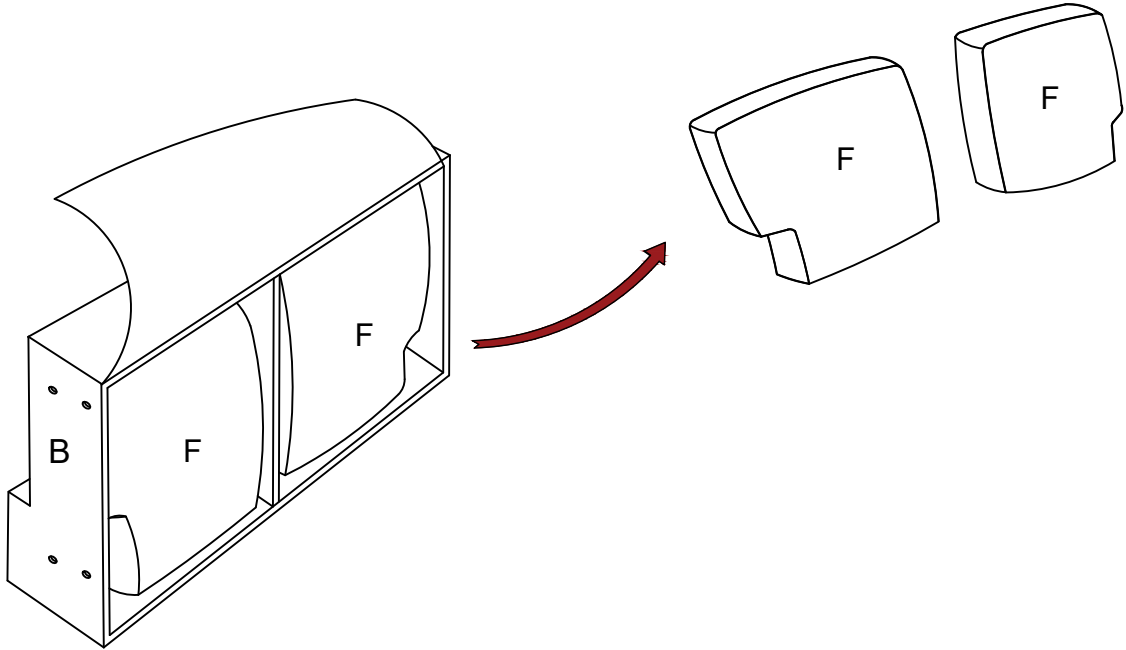
This page lists all the contents included in the box. Please take the time to identify the hardware as well as the individual components to this product. As you unpack and prepare for assembly, place the contents on a carpeted or padded area to protect them from damage.

### IMPORTANT NOTE:

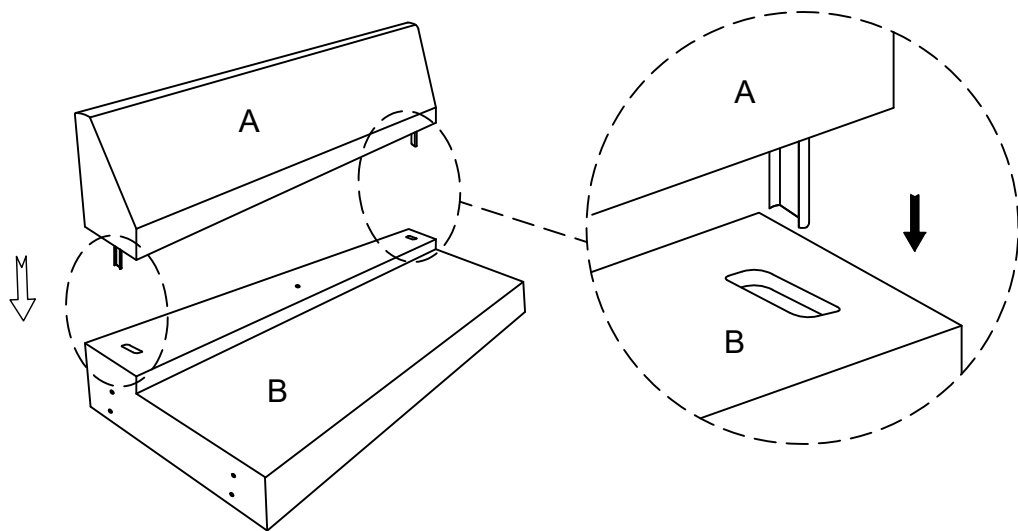
1. Do not tighten all screws / bolts until all completely assembled.
2. Keep all hardware parts out of reach of children.

\*\*\* Do not tighten screws & bolts until the entire unit is completely assembled.

**1** Take out the Back Cushion (F) from the bottom of the Seat Frame (B).

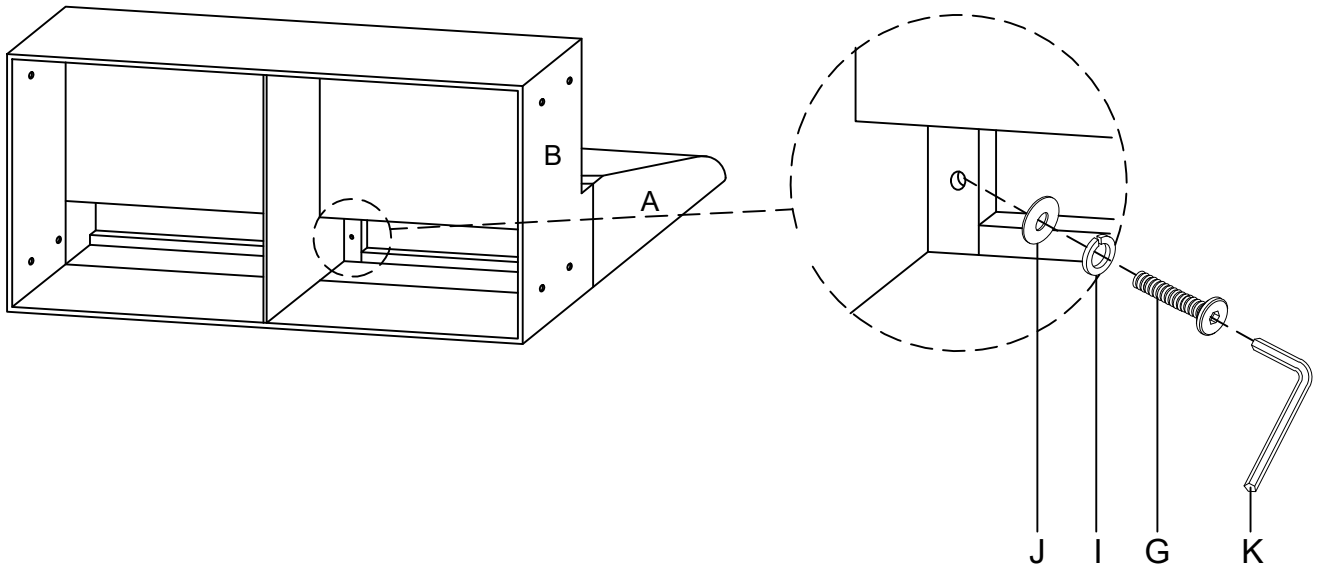


**2** Attach the Backrest (A) to the Seat Frame (B).

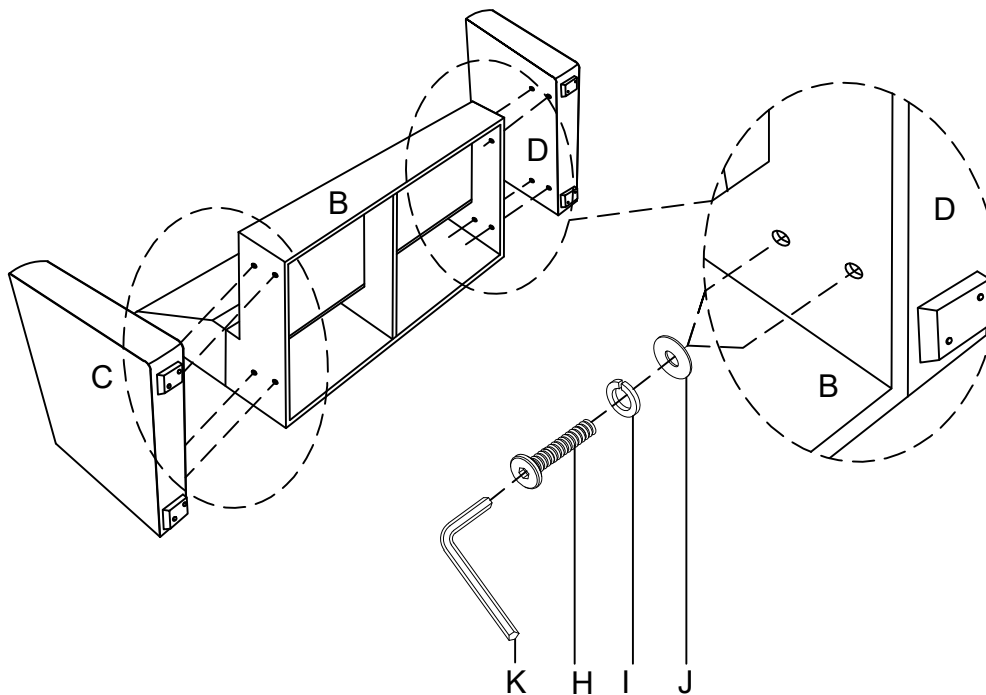


\*\*\* Do not tighten screws & bolts until the entire unit is completely assembled.

- 3** Connect the Backrest (A) to the Seat Frame (B) using Allen Bolt (G), Spring Washer (I) and Flat Washer (J) with the Allen Key (K).

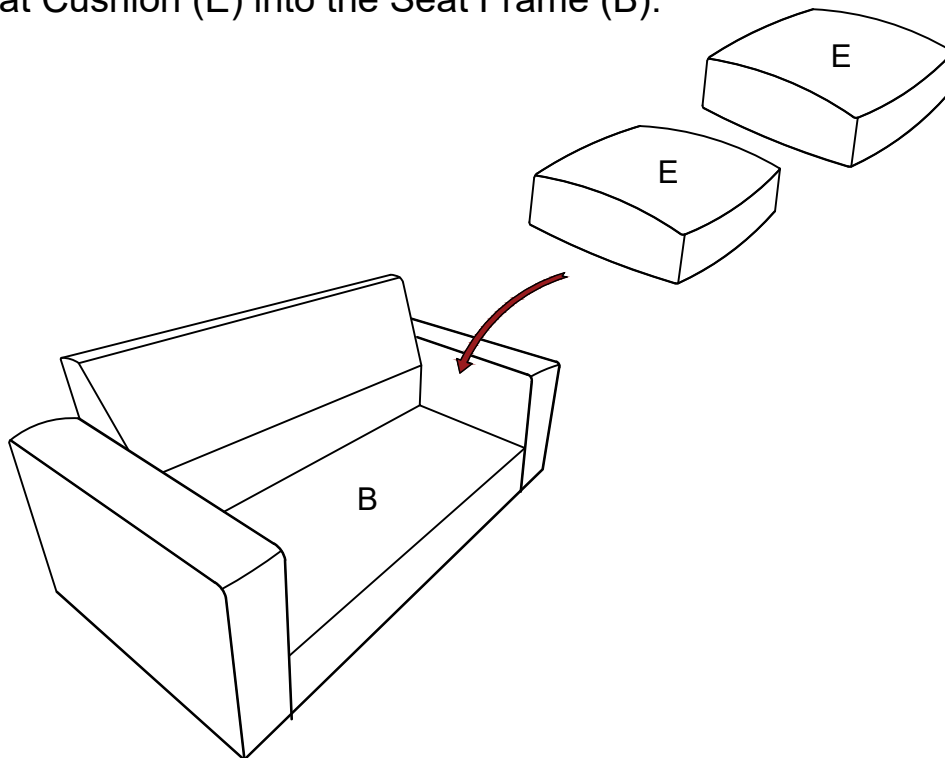


- 4** Attach the Left & Right Arm (C & D) to the Seat Frame (B) using Allen Bolt (H), Spring Washer (I) and Flat Washer (J) with the Allen Key (K).

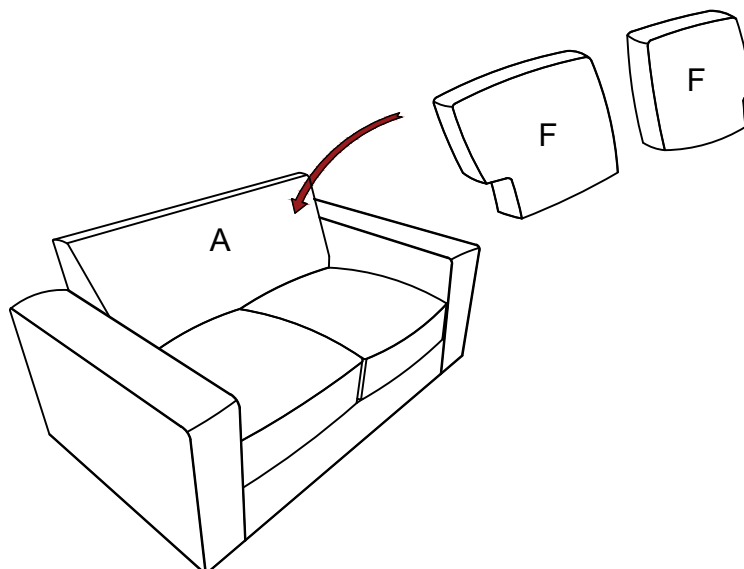


\*\*\* Do not tighten screws & bolts until the entire unit is completely assembled.

**5** Place the Seat Cushion (E) into the Seat Frame (B).



**6** Place the Back Cushion (F) in the Backrest (A) position.




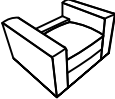
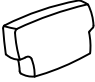




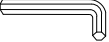
### Cleaning & Care

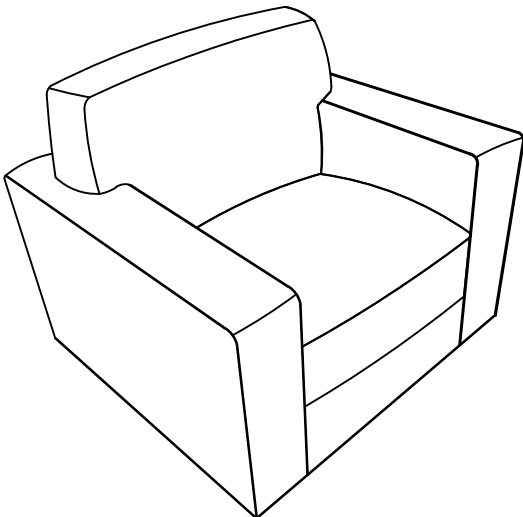
Treat surfaces with care. Surfaces are resistant to scratches but are not scratch resistant. Clean surfaces with a dry or damp soft cloth. Do not use abrasive cleaners. Hardware may loosen over time. Periodically check that all connections are tight.



# ASSEMBLY INSTRUCTIONS

## CHAIR

<b>A</b> Backrest  1 pc	<b>B</b> Seat Frame  1 pc	<b>C</b> Back Cushion  1 pc	<b>D</b> Leg  4 pcs
<b>E</b> Allen Bolt Ø5/16" x 2-11/64"  8 pcs	<b>F</b> Spring Washer Ø5/16" x 15/32"  8 pcs	<b>G</b> Flat Washer Ø5/16" x 3/4"  8 pcs	<b>H</b> Allen Key 4 x 2-23/64"  1 pc



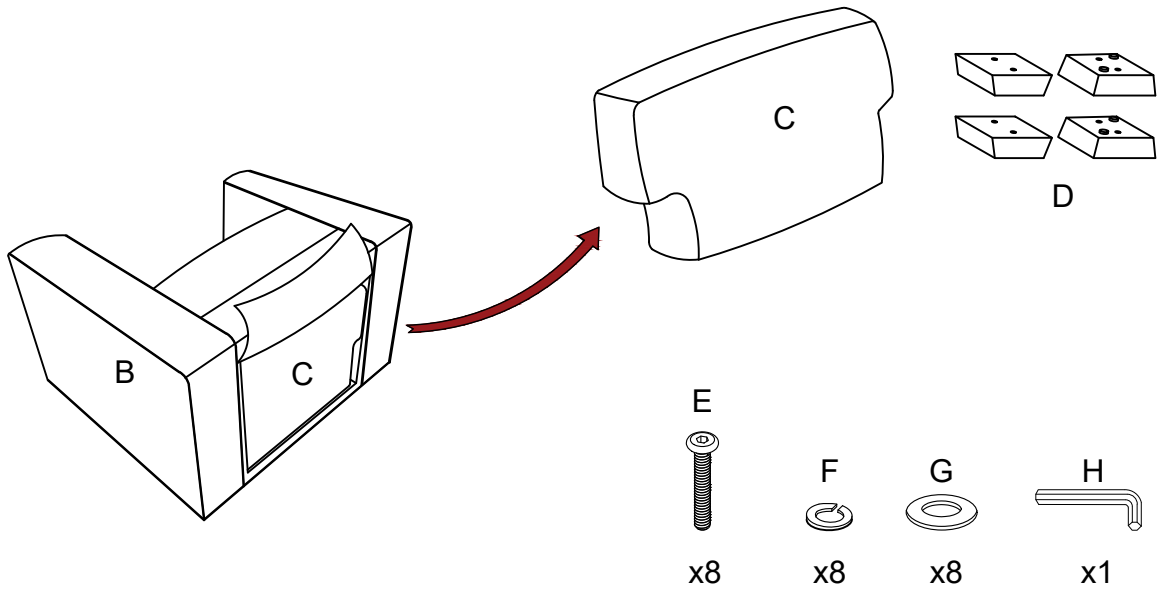
This page lists all the contents included in the box. Please take the time to identify the hardware as well as the individual components to this product. As you unpack and prepare for assembly, place the contents on a carpeted or padded area to protect them from damage.

### IMPORTANT NOTE:

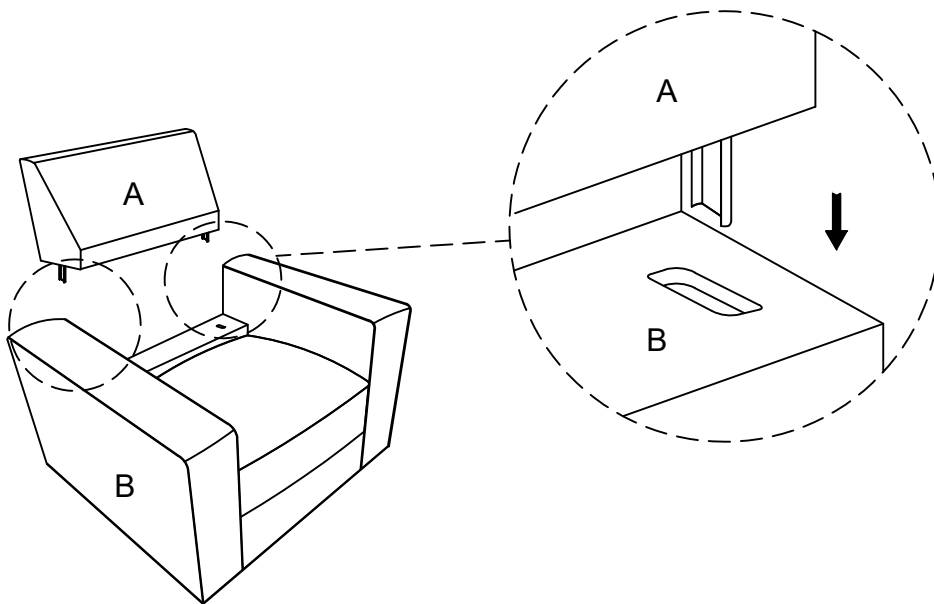
1. Do not tighten all screws / bolts until all completely assembled.
2. Keep all hardware parts out of reach of children.

\*\*\* Do not tighten screws & bolts until the entire unit is completely assembled.

- 1 Take out the Back Cushion (C), the Leg (D) and the hardware bag from the bottom of the Seat Frame (B).

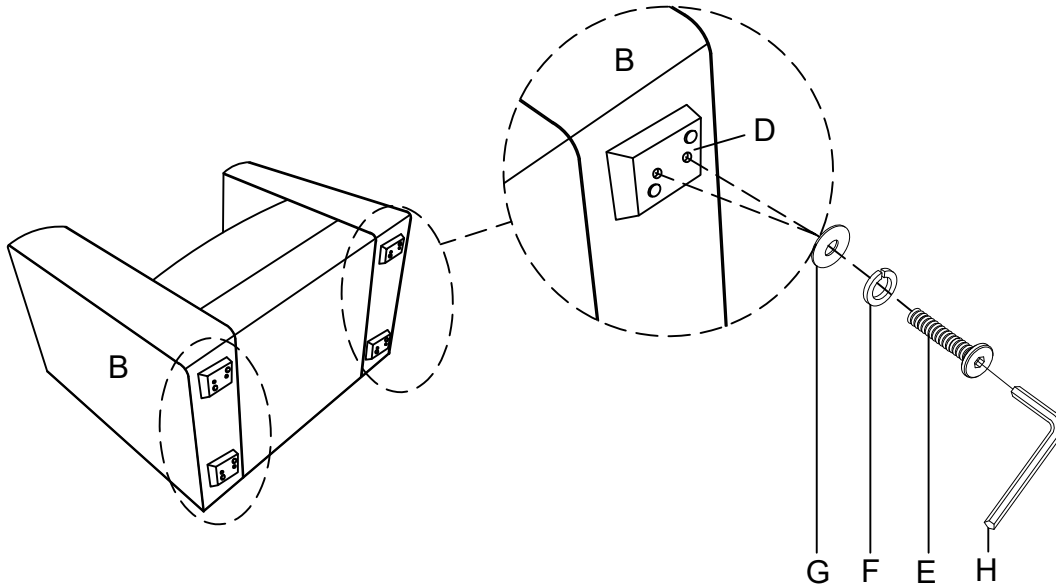


- 2 Attach the Backrest (A) to the Seat Frame (B).

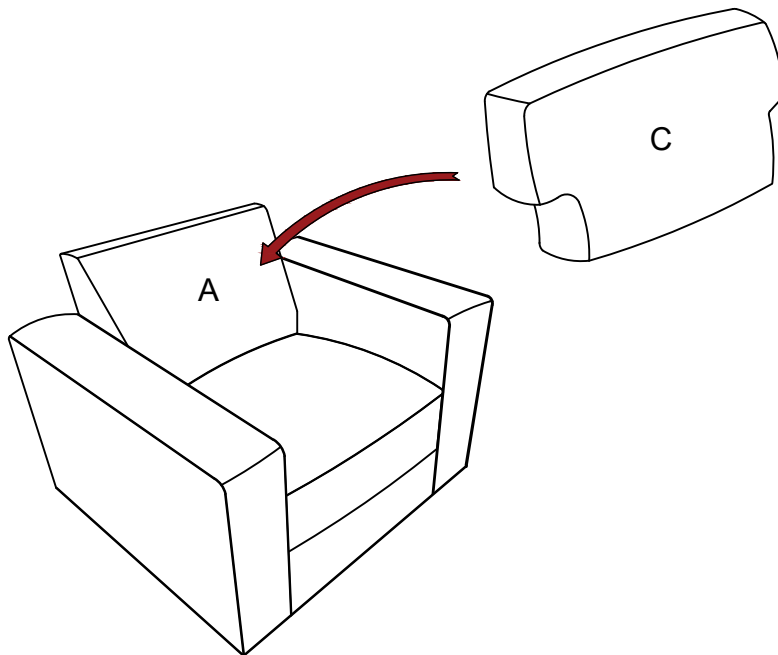


\*\*\* Do not tighten screws & bolts until the entire unit is completely assembled.

- 3** Attach the Leg (D) to the Seat Frame (B) using Allen Bolt (E), Spring Washer (F) and Flat Washer (G) with the Allen Key (H).



- 4** Place the Back Cushion (C) in the Backrest (A) position.



### Cleaning & Care

Treat surfaces with care. Surfaces are resistant to scratches but are not scratch resistant. Clean surfaces with a dry or damp soft cloth. Do not use abrasive cleaners. Hardware may loosen over time. Periodically check that all connections are tight.