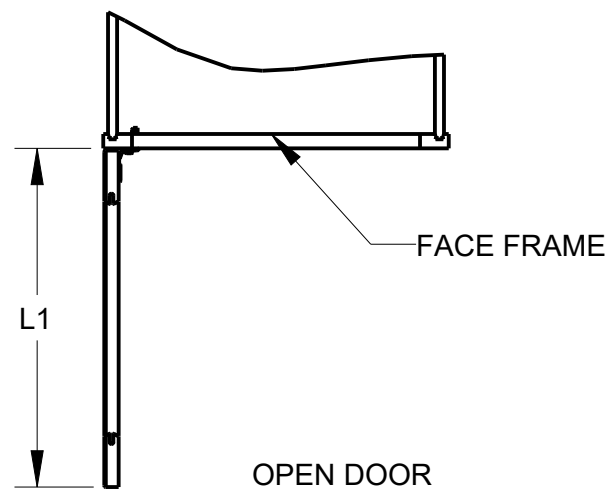
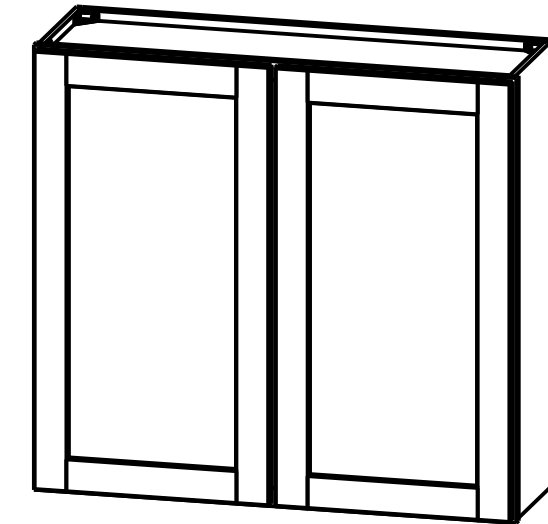
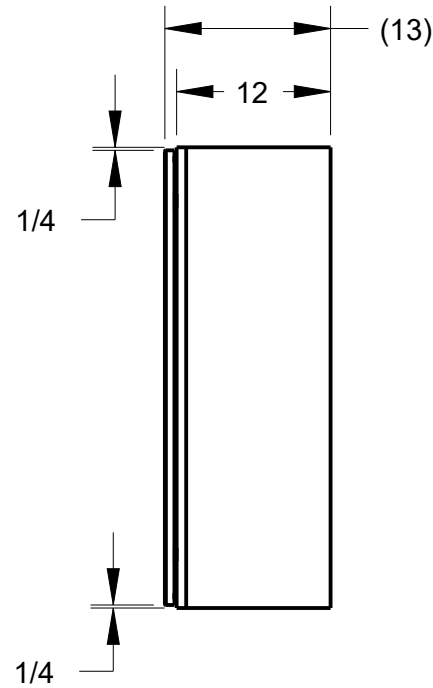
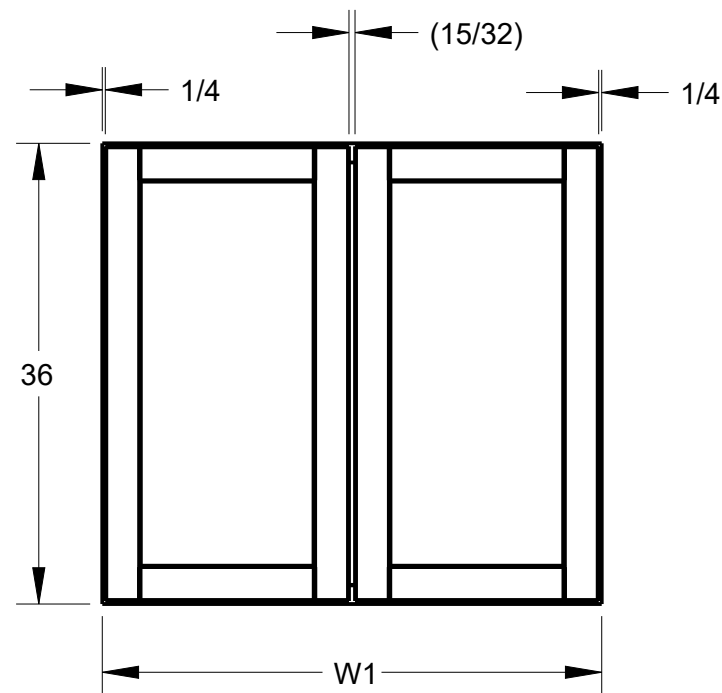


NOTE:

1 OPEN DOOR VIEW INCLUDES HINGE SPACE OFFSET.

PRODUCT	W1	L1	DOOR SIZE
			ROUNDED TO THE NEAREST 1/32
W3936	39"	19 3/16"	19 1/32" X 35 1/2"
W4236	42"	20 11/16"	20 17/32" X 35 1/2"



PRODUCT SHOWN 3936

DOCUMENT STATUS Released

THIRD ANGLE PROJECTION



MATERIAL

FINISH

N/A

N/A

**hardware resources**

DESCRIPTION

W3936, W4236 FULL OVERLAY

DRAWN BY  
E.GOLESTANYAN

DATE  
20MAR2020

DESIGNED BY  
NORTHPOINT

DATE

APPROVED BY  
GREG DAVIS

DATE  
30MAR2020

DRAWING NUMBER  
W3936-W4236\_FULL\_OVERLAY

REV  
**A**

SIZE  
A3

SCALE  
0.067

SHEET  
1 / 1

HARDWARE RESOURCES RESERVES THE RIGHT TO CHANGE SPECIFICATIONS WITHOUT NOTICE.  
IN CASE OF A DISCREPANCY, ACTUAL PART GEOMETRY SUPERSEDES THIS DOCUMENT.

THE INFORMATION CONTAINED WITHIN THIS DRAWING IS THE SOLE PROPERTY OF HARDWARE RESOURCES INC. ANY REPRODUCTION IN PART OR WHOLE WITHOUT WRITTEN PERMISSION OF HARDWARE RESOURCES INC. IS PROHIBITED.