



Assembly & Installation Instructions

CAUTION: Read instructions carefully and turn electricity off at main circuit breaker panel before beginning installation.

5688, 5689, 5627

WARNING - If any Special Control Devices are used with this Fixture, Follow the Instructions Carefully to assure full compliance with N.E.C. requirements. If there are any questions, contact a Qualified Electrical Contractor.

WARNING - To comply with the National Electric Code and Underwriters Laboratories requirements, the edge of the wall plate coming in contact with the mounting surface, must be sealed with a latex waterproof caulking to prevent water from entering the outlet box.

CAUTION: All glass is fragile, use care when handling lamp(s) or other glass components.

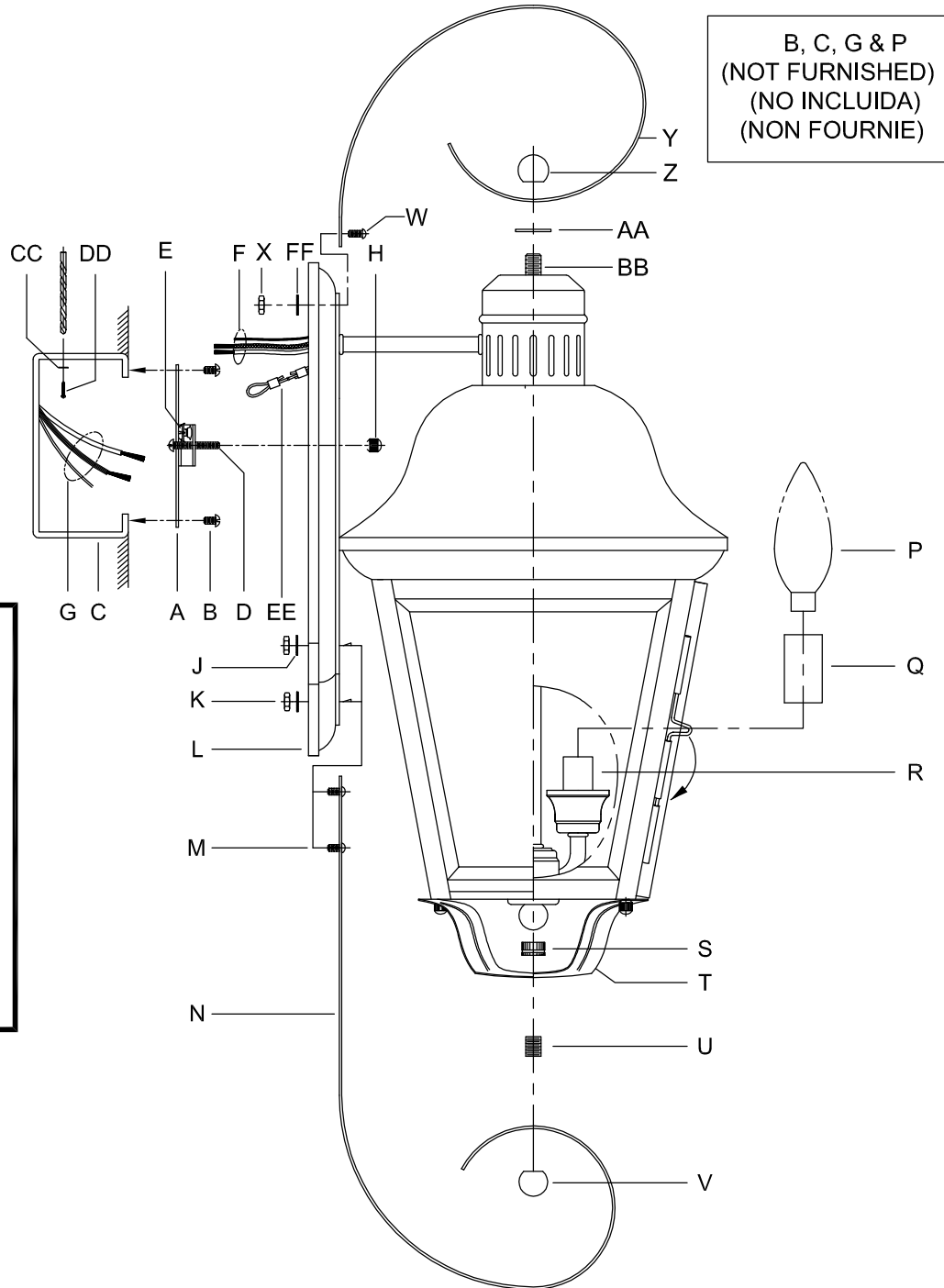
WARNING - This product contains chemicals known to the State of California to cause cancer, birth defects and /or other reproductive harm. Thoroughly wash hands after installing, handling, cleaning, or otherwise touching this product.

ASSEMBLY STEPS

PASOS PARA ENSAMBLAR

MODE D'ASSEMBLAGE

1. #29 (Ø.136) → C
(3.5mm)
2. DD,CC,EE → C
3. E,D → A
4. B,A → C
5. M → N,L,J,K
6. U → T,N
7. S,V → U
8. F → G
9. H,L → D
10. Q,P → R
11. W → Y,L,FF,X
12. Y,Z,AA → BB



B, C, G & P
(NOT FURNISHED)
(NO INCLUIDA)
(NON FOURNIE)

