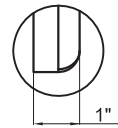
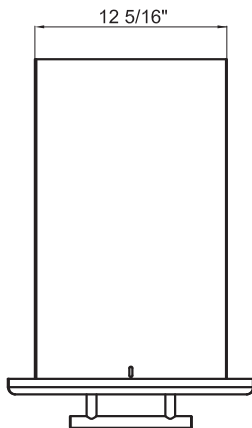
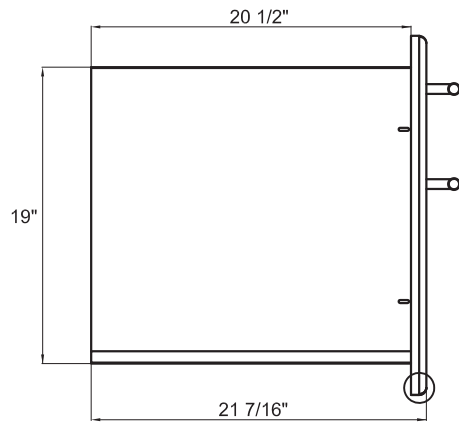
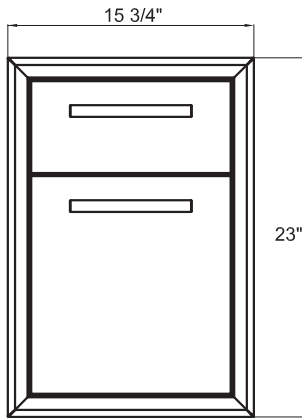
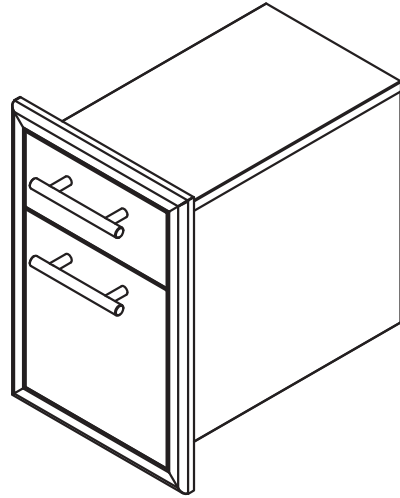




**MODEL:  
XOG16DRAWER**

**PRO-GRADE LUXURY  
DOUBLE DRAWER**

**16  
INCH**



**Overall Dimensions**

Width	Height	Depth
16	23	21 7/16

**Cut - Out Dimensions**

Width	Height	Depth
14	19	20 5/8