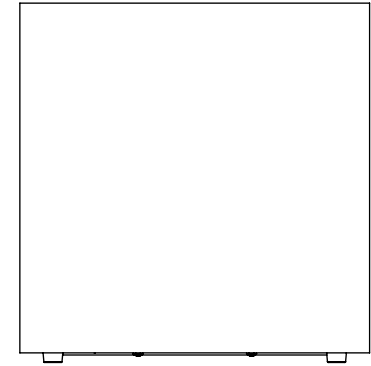
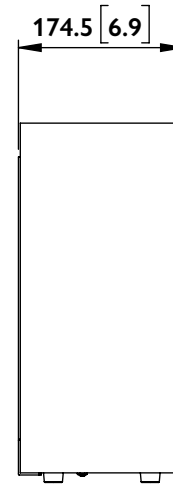
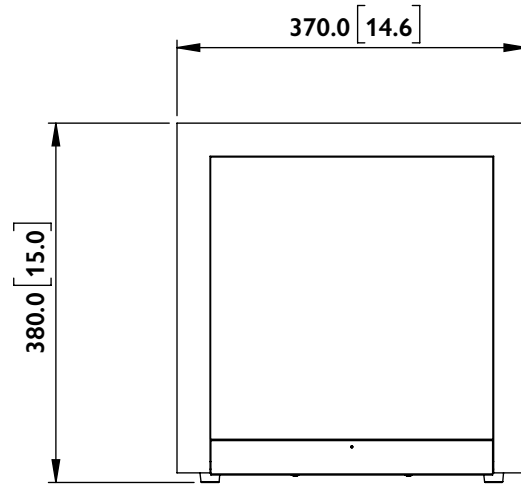
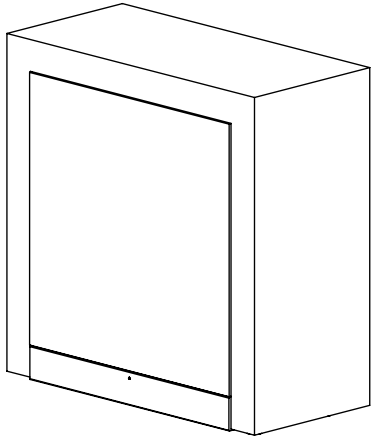




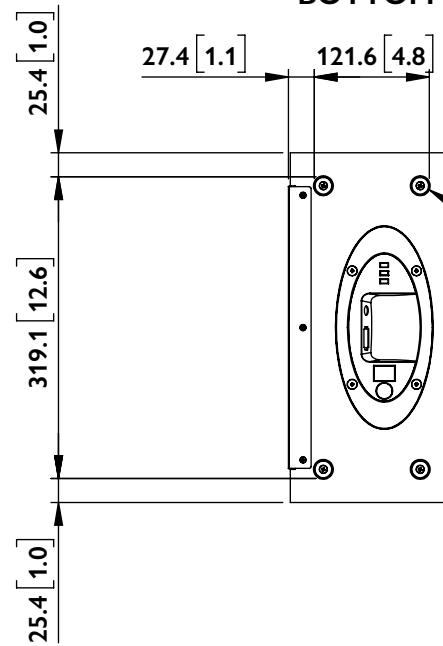
FRONT

SIDE

BACK



BOTTOM



Feet thread size:
M4 x pitch 0.7