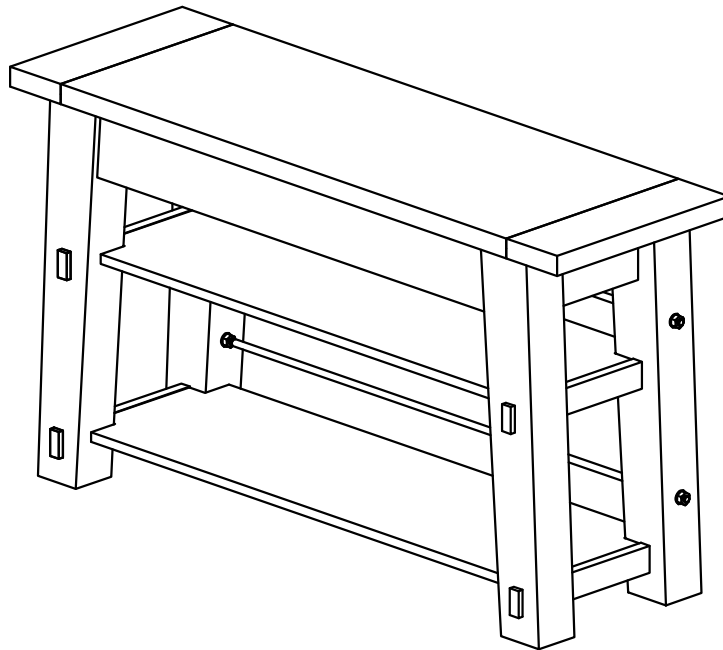


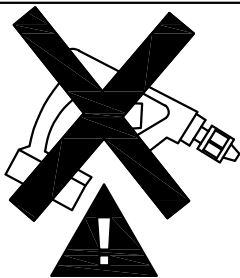
ASSEMBLY INSTRUCTION

CONSOLE TABLE

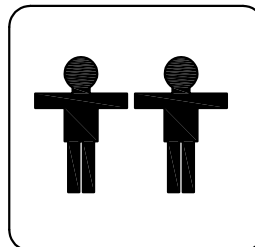


REPLACEMENT PARTS

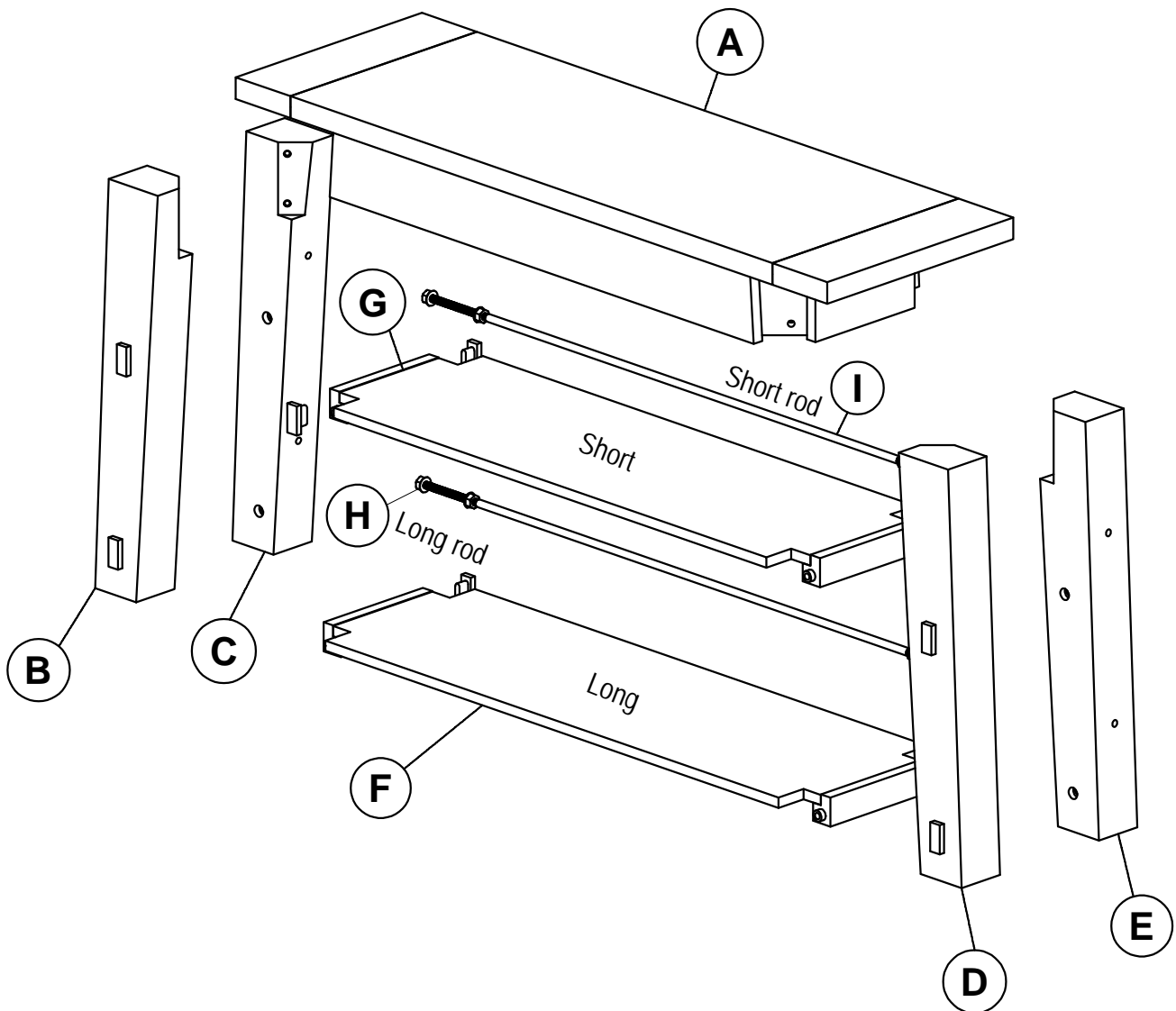
Please do not contact the company purchased from as we can help you faster.
Order replacement parts and hardware at "www.TeamCustomerService.com"



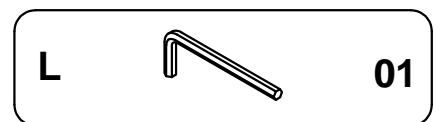
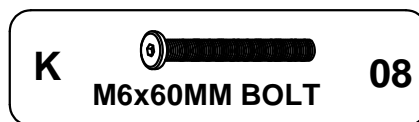
- . Use of power tool to assemble this product will invalidate any claim and damage this product making it unsafe !!!
- . Please assemble on a clean soft surface to avoid damage.



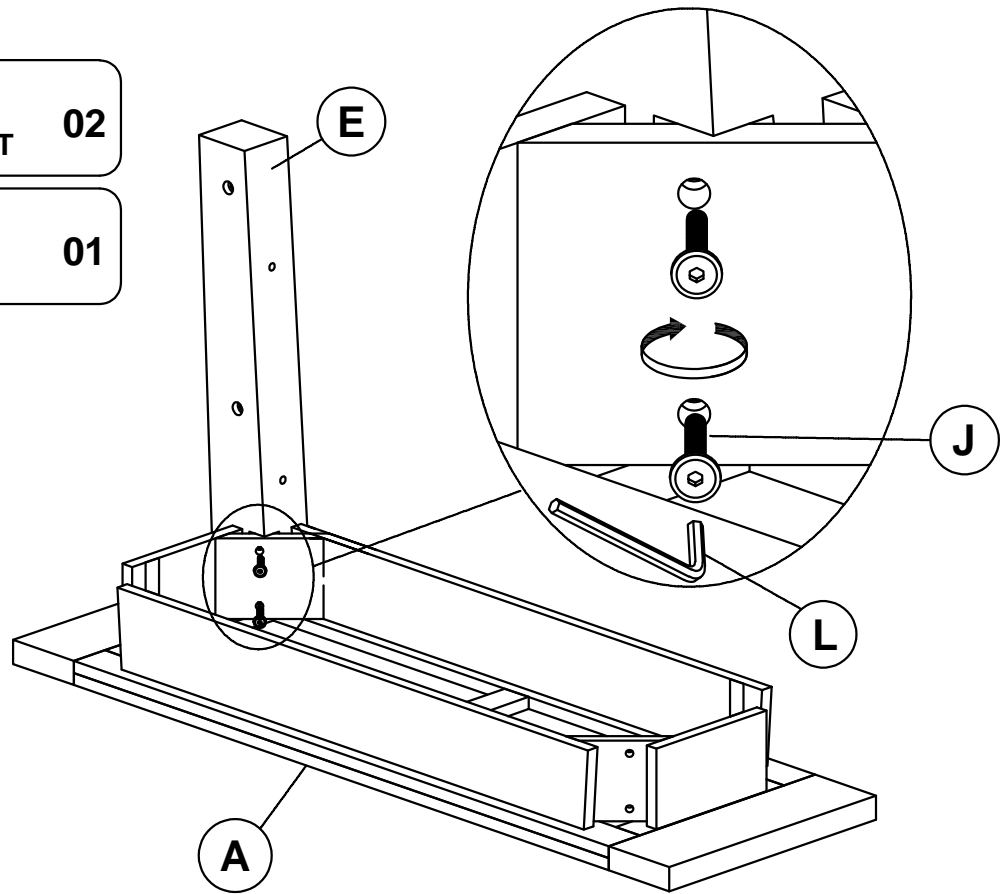
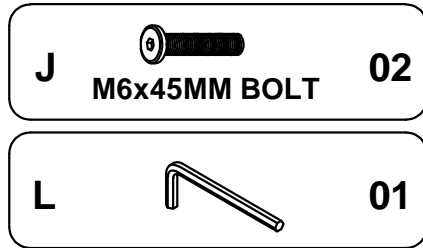
Part list-Durango Console Table



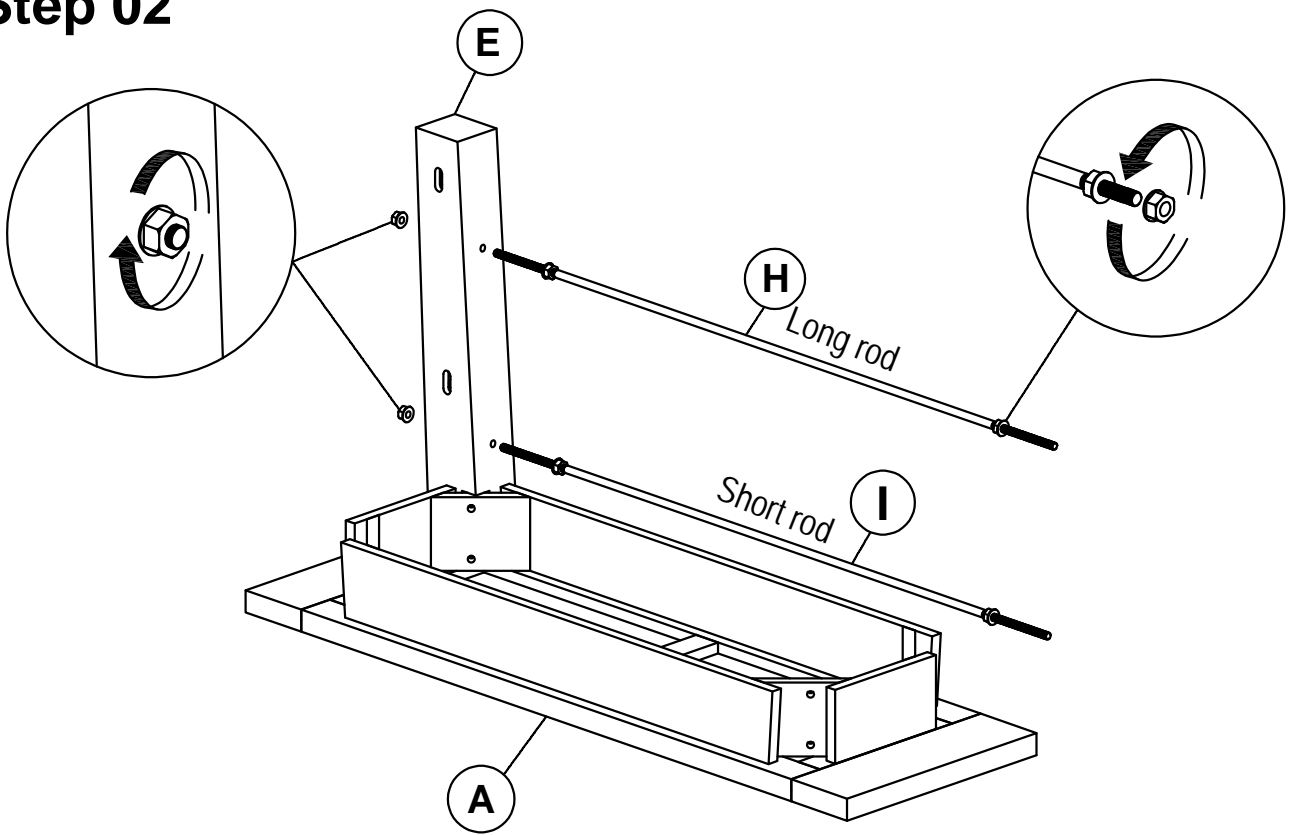
Identifying the hardware - Identify the hardware using the illustrations below



Step 01

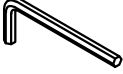


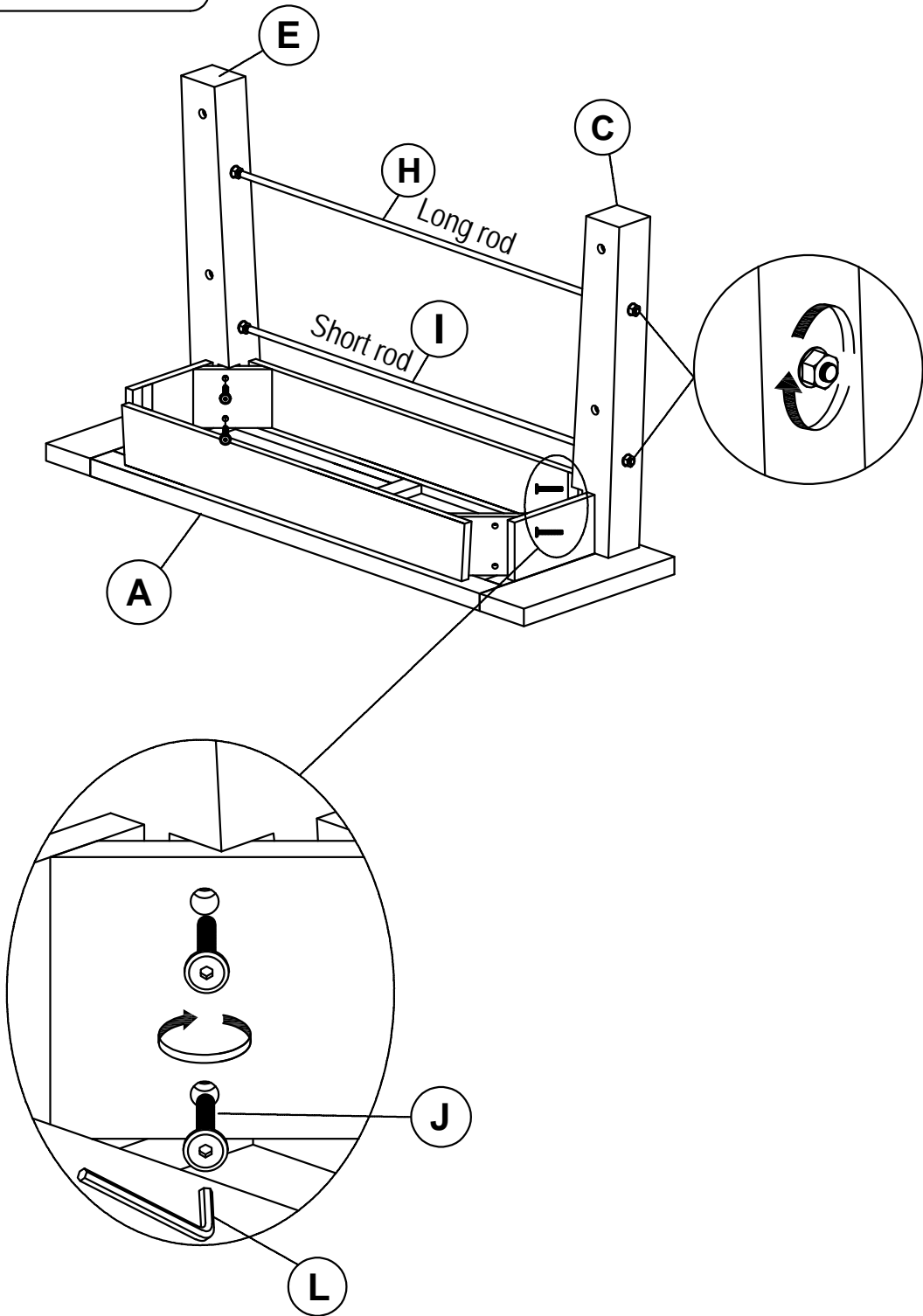
Step 02



Step 03

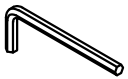
J  **02**
M6x45MM BOLT

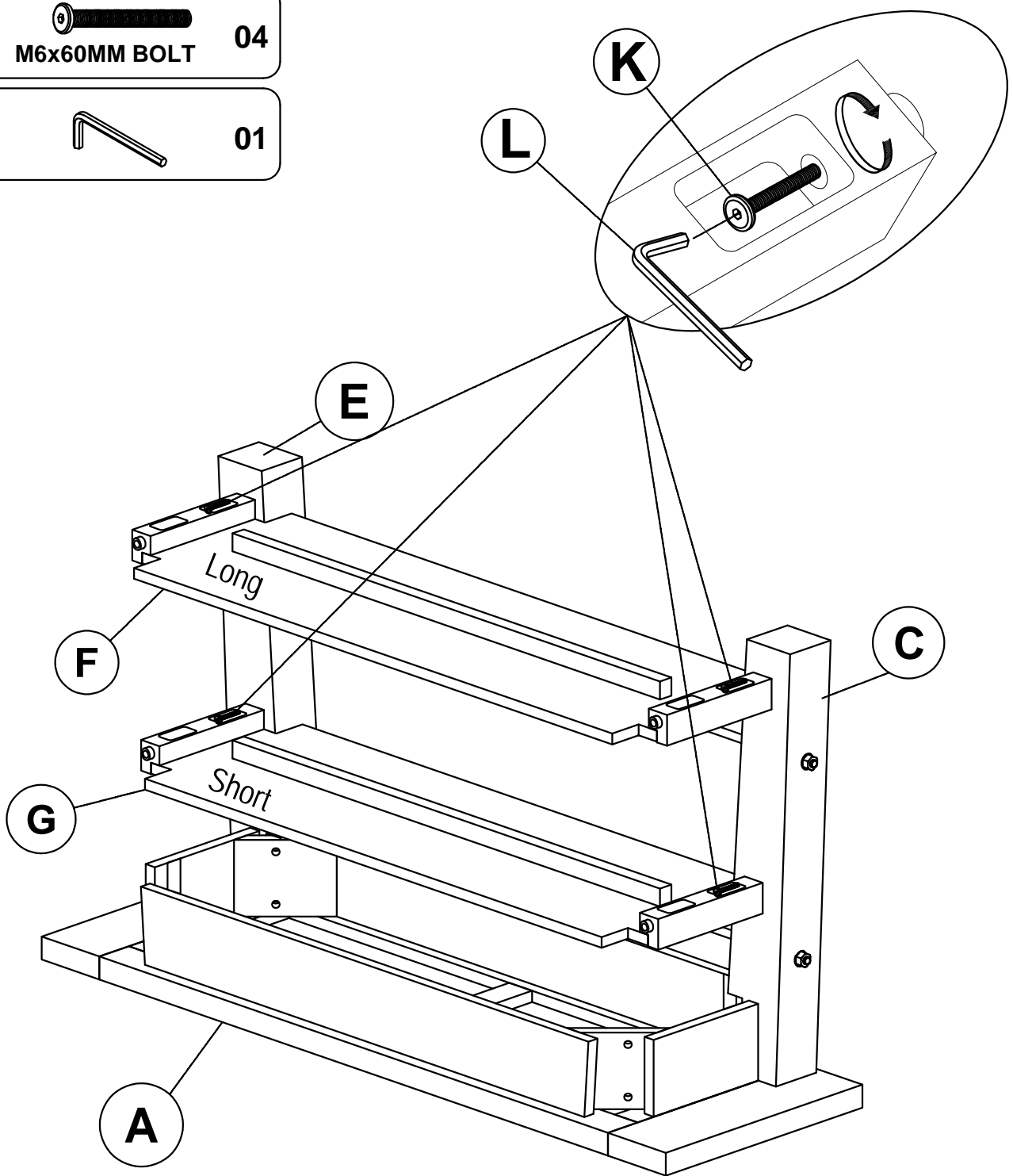
L  **01**





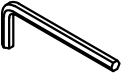
Step 04

K  **04**
M6x60MM BOLT

L  **01**



Step 05

- J**  **04**
M6x45MM BOLT
- K**  **04**
M6x60MM BOLT
- L**  **01**

