

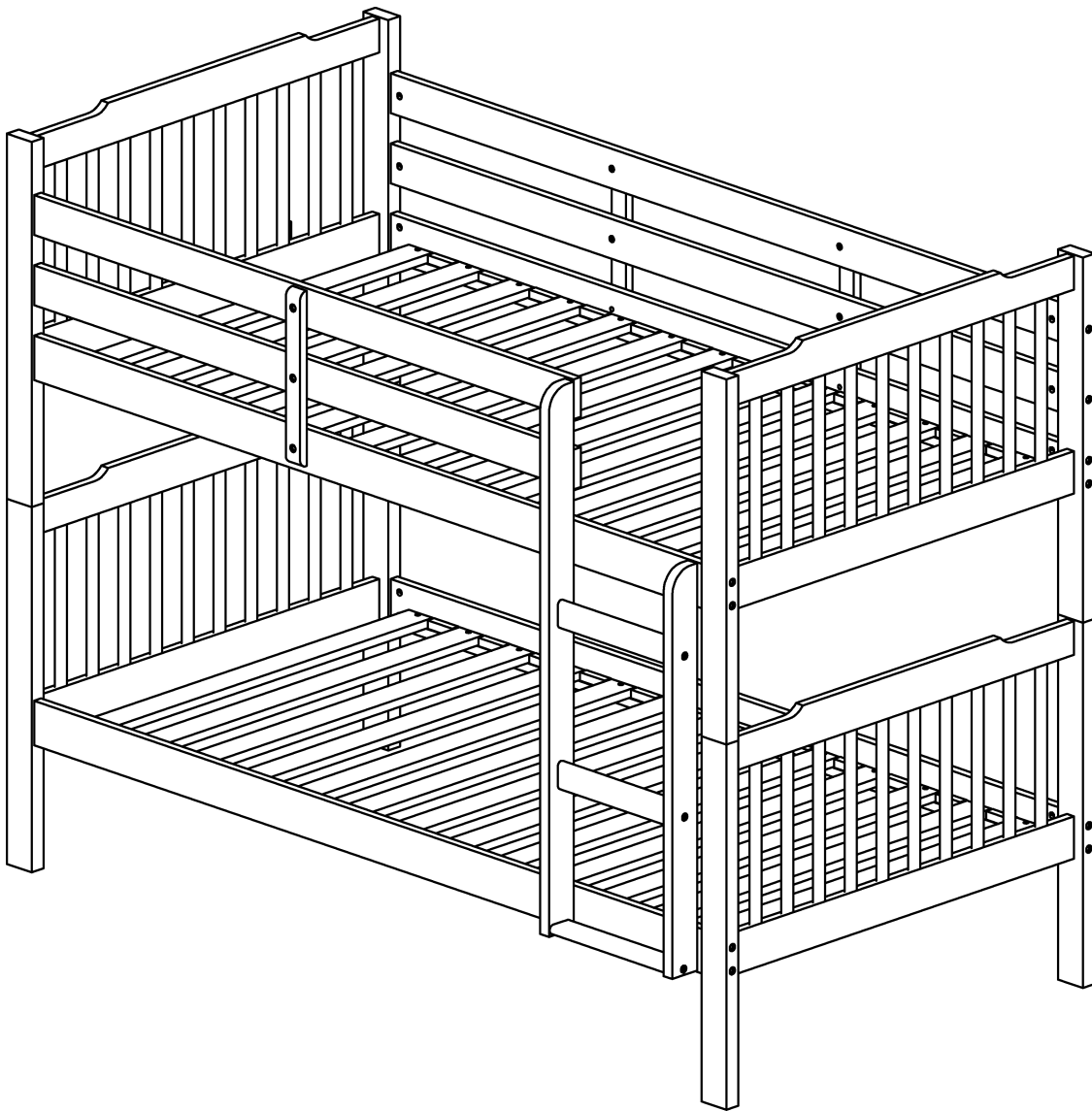
# ASSEMBLY INSTRUCTION

## TWIN TWIN BUNK BED

---

Follow the information on the warning appearing on the upper bunk end structure and on the carton. Do not remove warning label from bed.

The user of water or sleep flotation mattresses is prohibited.



# ASSEMBLY INSTRUCTION

## B27 TWIN TWIN BUNK BED Component List

<b>P1</b> Side Panel (left 18 holes)	<b>P2</b> Side Panel (Right 12 holes)	<b>P3</b> Side Panel (Under)	<b>P4</b> Bottom Back Side Rail (No Hole)	<b>P5</b> Bottom Front Side Rail (2 Holes)
1 pc	1 pc	2 pcs	1 pc	1 pc
<b>P6</b> Top Back Side Rail ( 2 holes)	<b>P7</b> Top Front Side Rail (3 holes)	<b>P8</b> Back Guard Rail (2 holes)	<b>P9</b> Front Guard Rail (1 hole)	<b>P10</b> Slats
1 pc	1 pc	2 pcs	2 pcs	26 pcs
<b>P11</b> Ladder Post (Left)	<b>P12</b> Ladder Post (Right)	<b>P13</b> Ladder Steps	<b>P14</b> Guard Rail Retainers	
1 pc	1 pc	3 pcs	3 pcs	

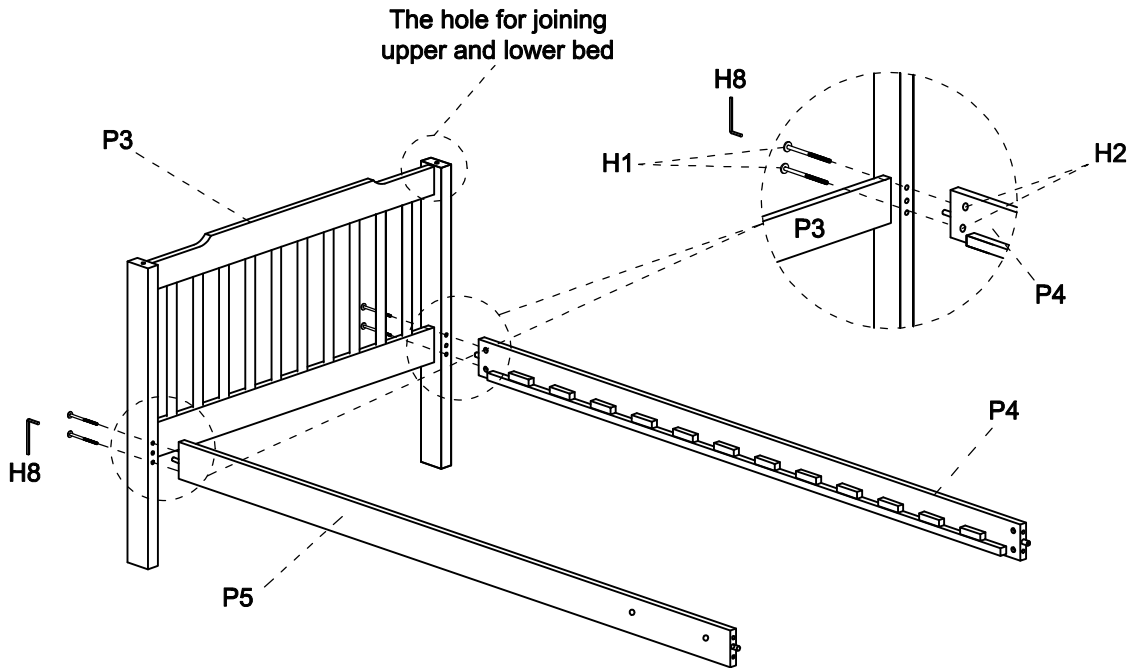
## Hardware list

<b>H1</b> Hexagon Screw Ø7.8*100mm	<b>H2</b> Helix Ø7.8*15mm	<b>H3</b> Hexagon Screw Ø6.3*35mm	<b>H4</b> Screw Ø4*30mm	<b>H5</b> Metal Dowel Ø10*90mm
22 pcs	22 pcs	9 pcs	52 pcs	4 pcs
<b>H6</b> Hexagon Screw Ø6.3*40mm	<b>H7</b> Hexagon Screw Ø6.3*50mm	<b>H8</b> Allen Key		
6 pcs	6 pcs	1 pc		

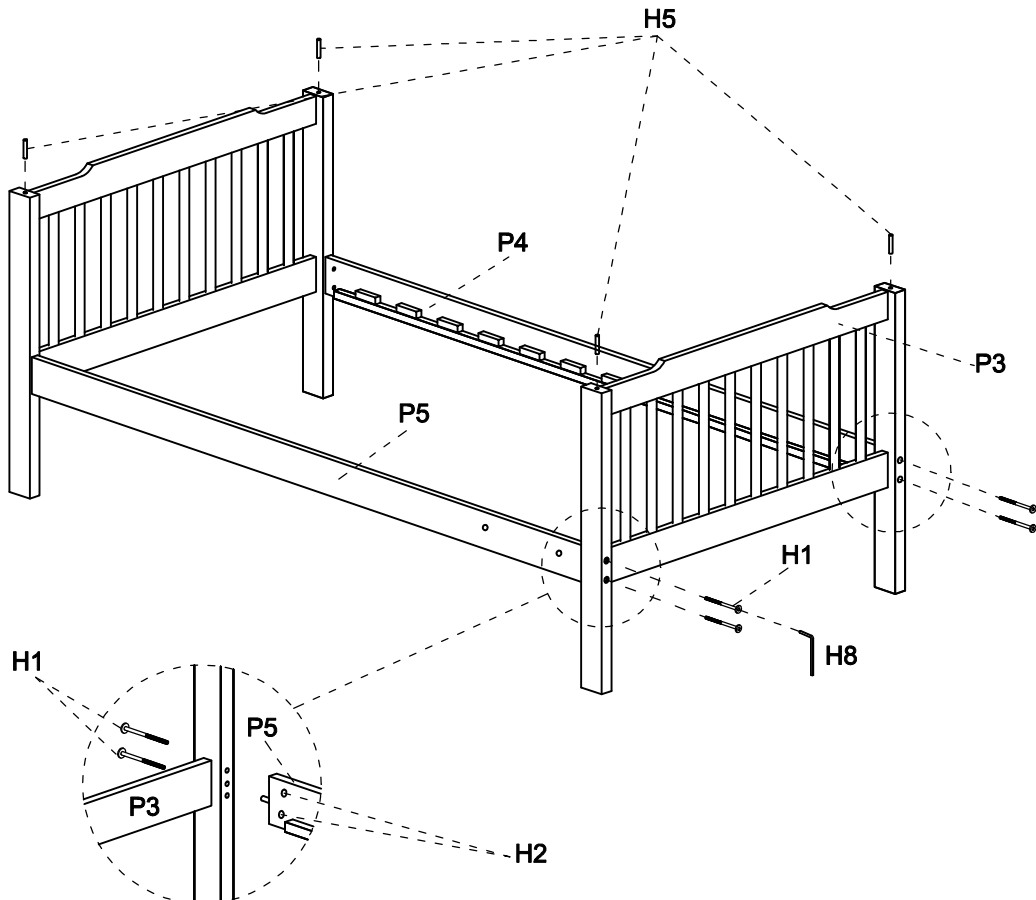
This page list all the contents included in the box. Please take the time to identify the hardware as well as the individual components to this product. As you unpack and prepare for assembly, place the contents on a carpeted or padded area to protect them from damage.

**1**

Put the side panel (P3) beside the wall and attach the bottom back side rail (no hole) (P4) and bottom front side rail (2 holes) (P5) joining them to the lower left headboard by hexagon screw 7.8x100 (H1) and helix 7.8x15 (H2) after that tighten screw by allen key (H8).

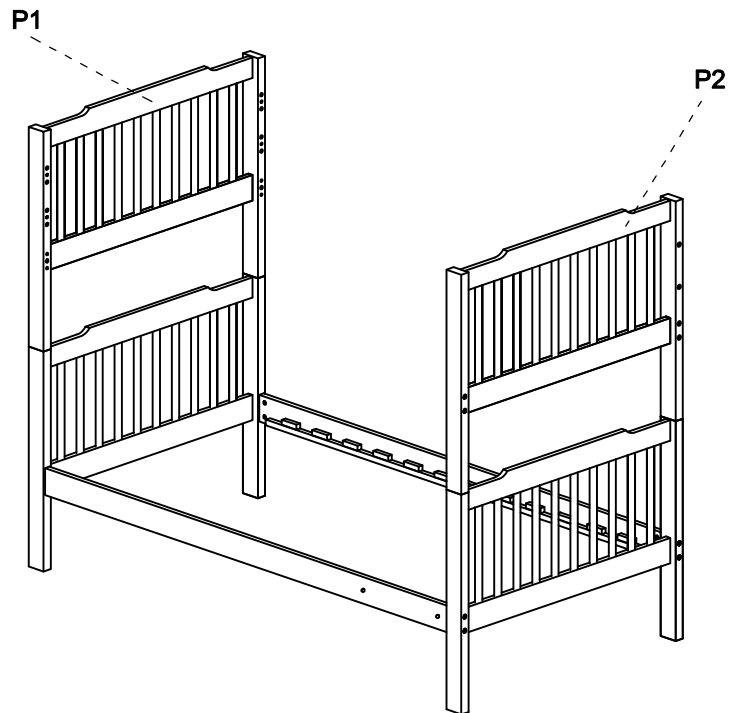
**2**

Attach the bottom back side rail (P4) and bottom front side rail (P5) join them to side panel (P3) and tighten screws by allen key (H8) and put 4 pcs metal dowels (H5) into the holes joining bed.

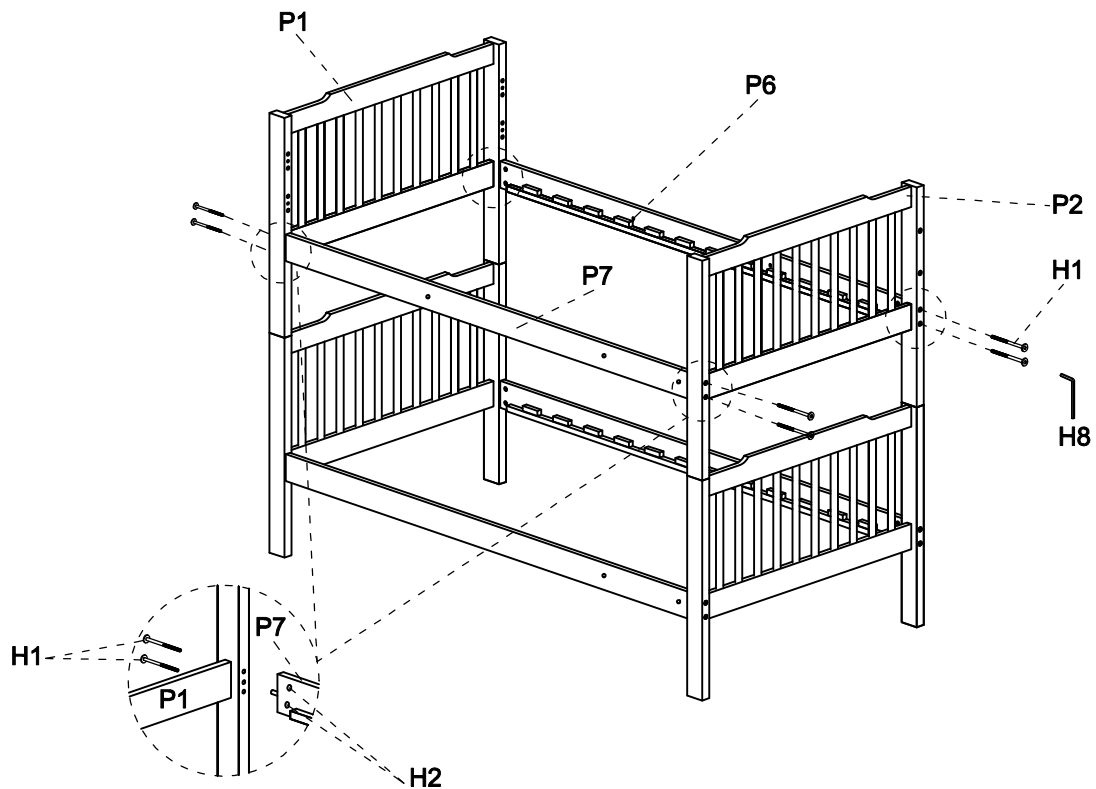
**3**

**3**

Join the side panel (18 holes) marked (P1) and side panel (12 holes) marked (P2) with lower bed as it below the picture.

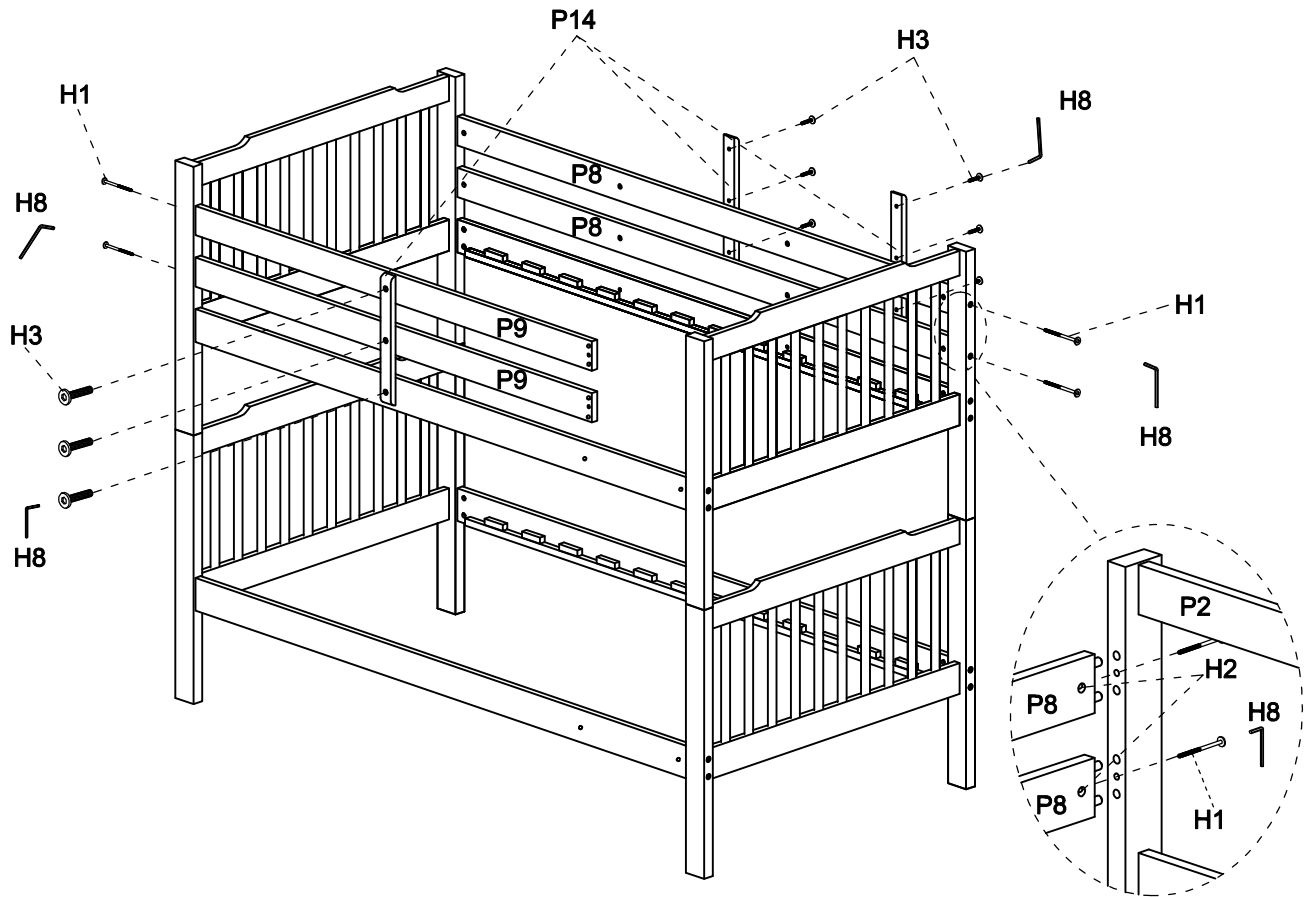
**4**

Attach the top back side rail (2 holes) marked (P6) and top front side rail (3 holes) (P7) with side panel (P1) and side panel (P2) by using screws (H1) and helix (H2) but do not fully tighten screws by allen key (H8).



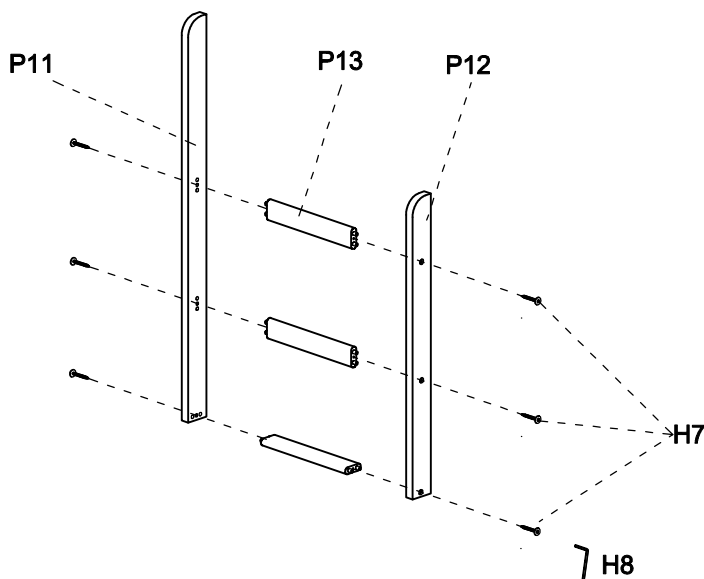
**5**

Attach the back guard rails (2 holes) marked (P8) and front guard rails (1 hole) marked (P9) with upper side panels by using screw (H1) and helix (H2) after that tighten screw by allen key (H8) and linking 3 guard rail retainers marked (P14) with together by screws (H3) and using allen key marked (H8).



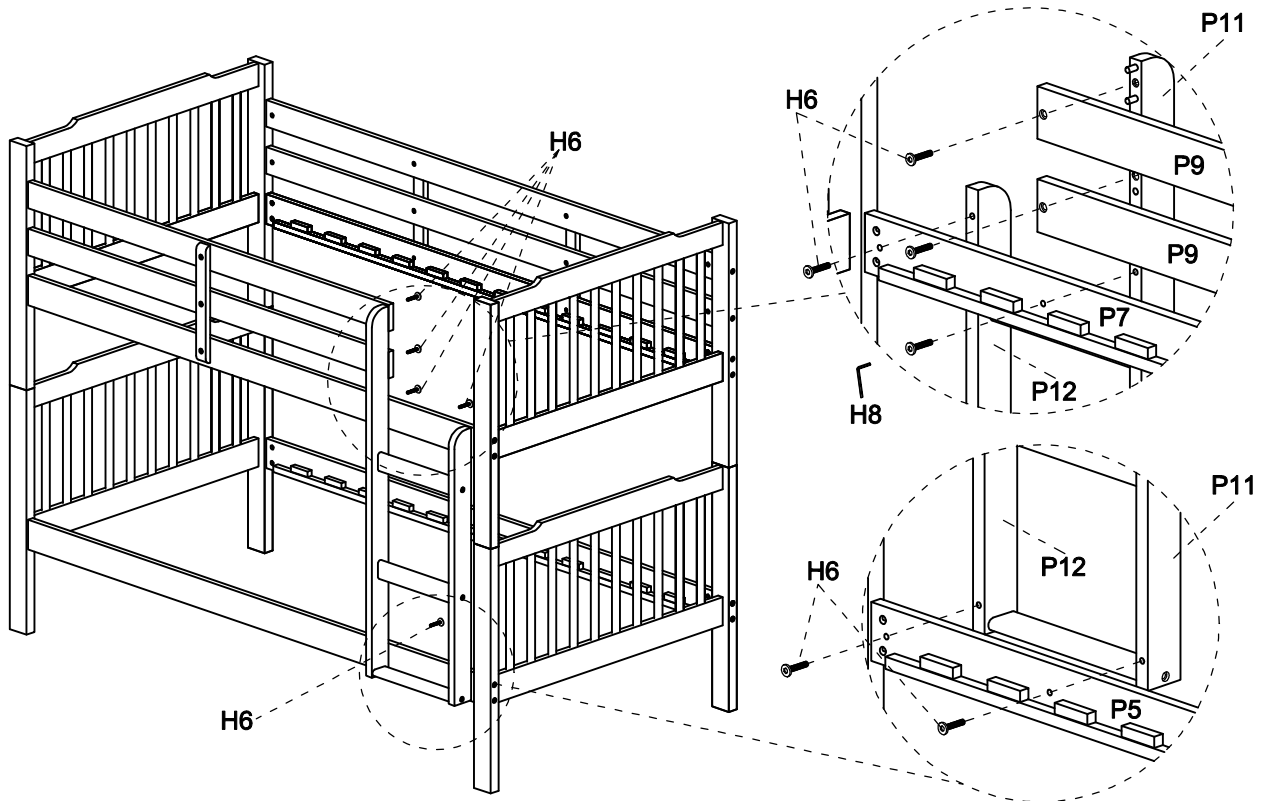
**6**

Attach the ladder steps (P13) with ladder post (P11) (left) and ladder post (P12) (right) by using hexagon screw (H7) and allen key (H8).

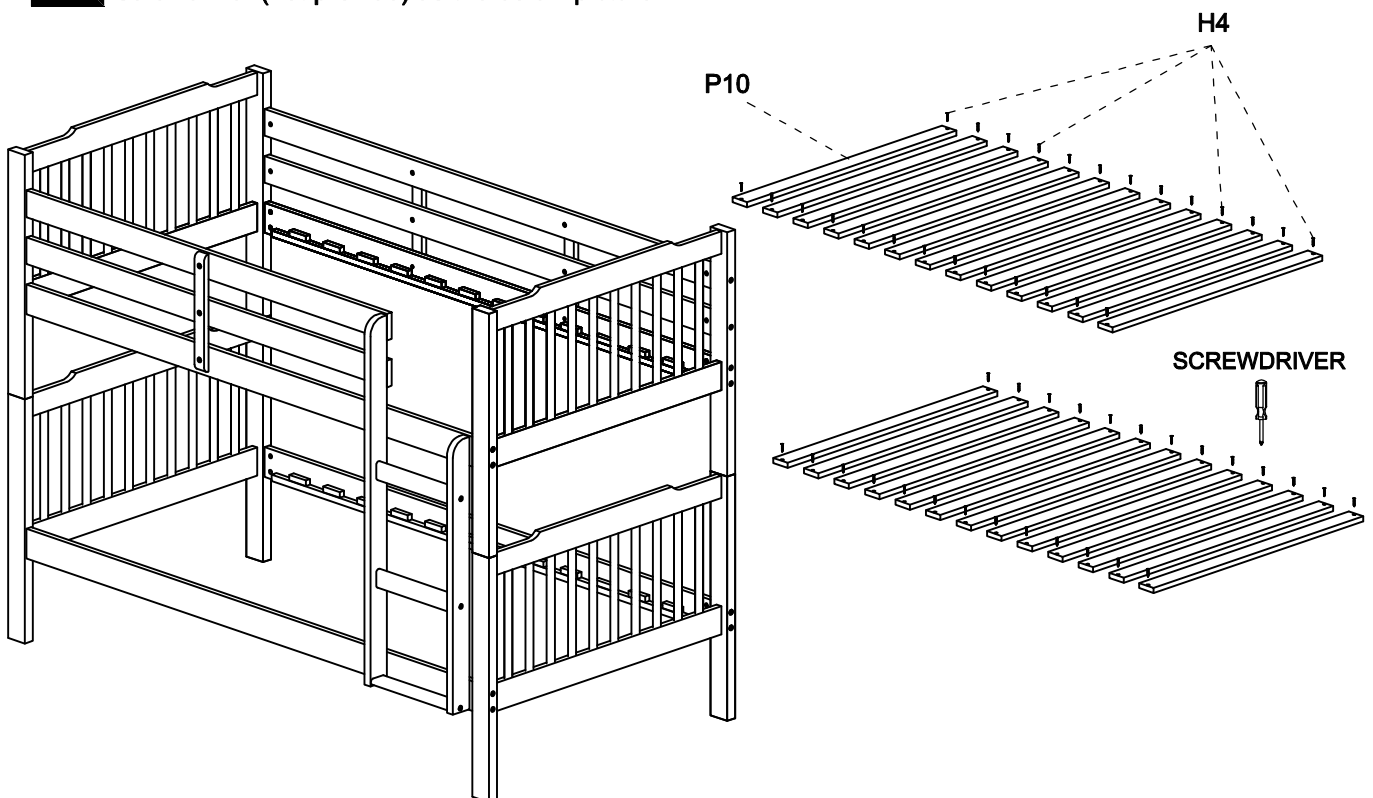


**7**

Attach the ladder with the bunk bed, with screws (H6) and tighten screws by allen key (H8) from inside of the bunk bed as the below picture.

**8**

Tighten all screws, put 13 slats for each of bed and use screws marked (H4) and tighten all slats by screwdriver (not provide) as the below picture.



### Cleaning & Care

Treat surface with care. Surface is resistant to scratches but is not scratch resistant. Clean surfaces with a dry or damp soft cloth. Do not use abrasive cleaners. Hardware may loosen over time. Periodically check that all connections are tight.

# IMPORTANT NOTICE

-For Twin/Full bunk bed :

Use only mattress which is 74" long and 38 " wide on upper bunk.

Use only mattress which is 74" long and 54 " wide on lower bunk.

-For Twin/Twin bunk bed :

Use only mattress which is 74" long and 38 " wide on upper bunk.

Use only mattress which is 74" long and 38 " wide on lower bunk.

-Ensure thickness of mattress does not exceed 8" and mattress is at least 5" below upper edge of guardrails.

## SAFETY WARNING

-Do Not remove warning label from bed.

-Always use the recommended size mattress or mattress support, or both, to help prevent the likelihood of entrapment or falls.

-Surface of mattress must be at least 5"(127mm) below the upper edge of guardrails.

-Do not allow children under 6 years of age to use the upper bunk.

-Periodically check and ensure that the guardrail, ladder, and other components are in their proper position, free from damage, and that all connectors are tight.

-Do not allow horseplay on or under the bed and prohibit jumping on the bed.

-Always use the ladder for entering and leaving the upper bunk.

-Do not use substitute parts-Contract the manufacturer or dealer for replacement parts.

-Use of night light may provide added safety precaution for a child using the upper bunk.

-Always use guardrails on both long sides of the upper bunk. If the bunk bed will be placed next to the wall, the guardrail that runs the full length of the bed should be placed against the wall to prevent entrapment between the bed and wall.

-The used of water or sleep flotation mattress is prohibited.

### -STRANGULATION HAZARD

-Never attach or hang items to any part of the bunk bed that are not designed for use with the bed ; for example, but not limited to, hooks, belts, and jump ropes.

-Keep these instructions for future reference.