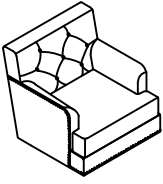


ASSEMBLY INSTRUCTION

CHAIR

A Chair Body



1pc

B Front Leg



2pcs

C Back Leg
(LSF / RSF)



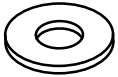
2pcs

D Bolt
Ø5/16"x2"



4pcs

E Flat Washer
Ø5/16"x19mm



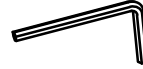
4pcs

F Lock Washer
Ø5/16"x13mm

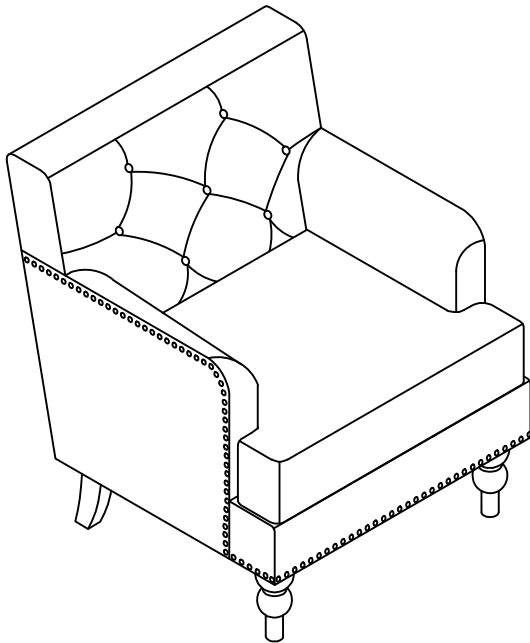


4pcs

G Allen Key
M5



1pc

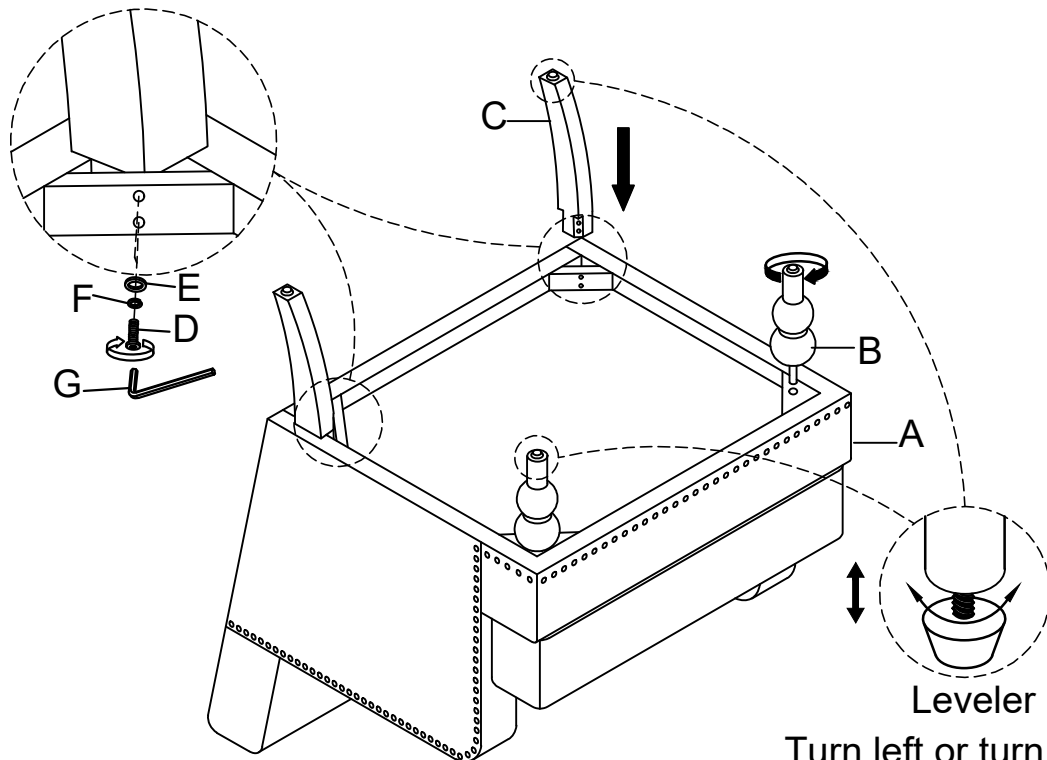


This page lists all the contents included in the box. Please take the time to identify the hardware as well as the individual components to this product. As you unpack and prepare for assembly, place the contents on a carpeted or padded area to protect them from damage.

1 Attach Back Leg (C) to Chair Body (A) using Bolt (D), Flat Washer (E), Lock Washer (F) by Allen Key (G) as below shown.

Attach Front Leg (B) to Chair Body (A), then rotate tightly.

Take the Allen Wrench, and turn the bolts until the legs are secure.
DO NOT TIGHTEN COMPLETELY.
Stop when you feel you are adding force to tighten the bolt.



Turn left or turn right to adjust the leveler until the chair is stabilized.

Stand chair up on an even surface and check that it is balanced. If there is a slight wobble, apply downward pressure in the corner where a leg is uneven. Keeping pressure in that corner, tighten all bolts. If balanced, apply downward pressure evenly in the center and tighten all bolts. Do not over-tighten beyond hole depth.

Helpful Tip:

-Instead of applying downward pressure while reaching under to tighten bolts, have someone sit in the chair while you tighten the bolts.

Cleaning & Care

Treat surface with care. Surface is resistant to scratches but is not scratch resistant. Clean surfaces with a dry or damp soft cloth. Do not use abrasive cleaners. Hardware may loosen over time. Periodically check that all connections are tight.