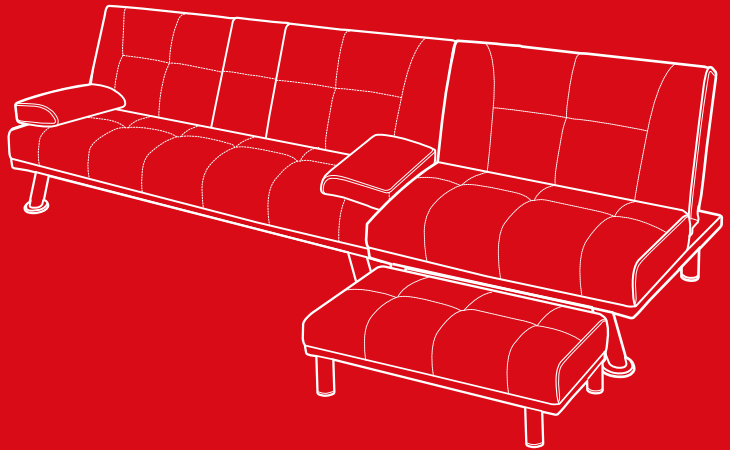




bestchoiceproducts



# INSTRUCTION MANUAL

---

3-Piece Faux Leather  
Converting Sofa Set



Parts are located in  
the compartment  
underneath the item.  
Make sure to remove  
all parts before  
assembly.

[bestchoiceproducts.com](http://bestchoiceproducts.com)



bestchoiceproducts

---

As shoppers, we're always trying to find the perfect balance between quality & value. At BCP, we believe we've achieved that. Our diverse catalog of everyday essentials is tailored especially to our customers & guaranteed to hit that sweet spot of high quality & low price.

— Always. —

## NOTICE

Please retain these instructions for future reference.

- Please do not exceed the weight limitations of this item.
- Do not stand on or jump on any part of this item.
- Firmly secure all bolts, screws and knobs before use.
- Reconfirm that all bolts, screws, and knobs are secure every 90 days.
- Do not use or store this item in the proximity of open flame or flammable/combustible chemicals.
- If any parts are missing, broken, damaged, or worn, stop using this product until repairs are made and/or factory replacement parts are installed.
- Do not use this item in a way inconsistent with the manufacturer's instructions as this could void the product warranty.

## TOOLS REQUIRED



ALLEN WRENCH  
(PROVIDED)



500 LBS  
FUTON  
CAPACITY



250 LBS  
SINGLE SEAT  
CAPACITY



200 LBS  
OTTOMAN  
CAPACITY



1 PERSON  
ASSEMBLY



UP TO 30 MIN.  
ASSEMBLY

## HARDWARE

1

M4x25mm  
SCREW



16 PCS

2

M4 WASHER

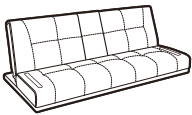


16 PCS

## PARTS

A

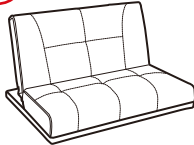
FUTON



1 PC

B

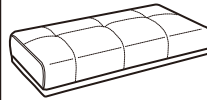
SINGLE SEAT



1 PC

C

OTTOMAN



1 PC

D

ARMREST



2 PCS

E

STRAIGHT LEG



8 PCS

F

ANGLED LEG

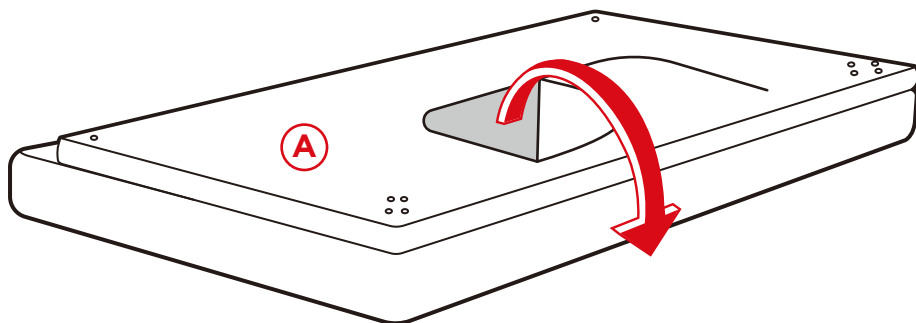


4 PCS

## PRODUCT ASSEMBLY - FUTON

1

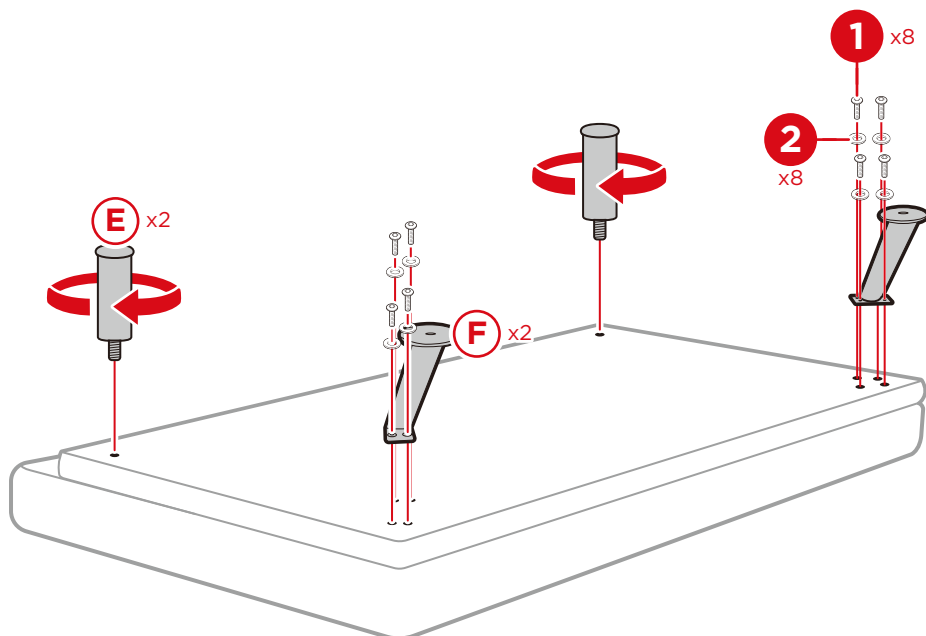
Remove legs and hardware from the compartment underneath the part A futon.



2

Screw in two part E straight legs.

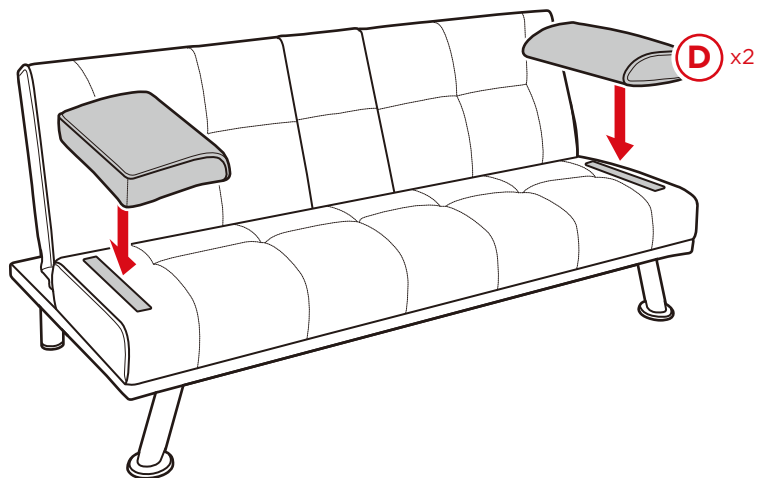
Attach two part F angled legs with eight part 1 screws and eight part 2 washers, four screws/washers per leg.



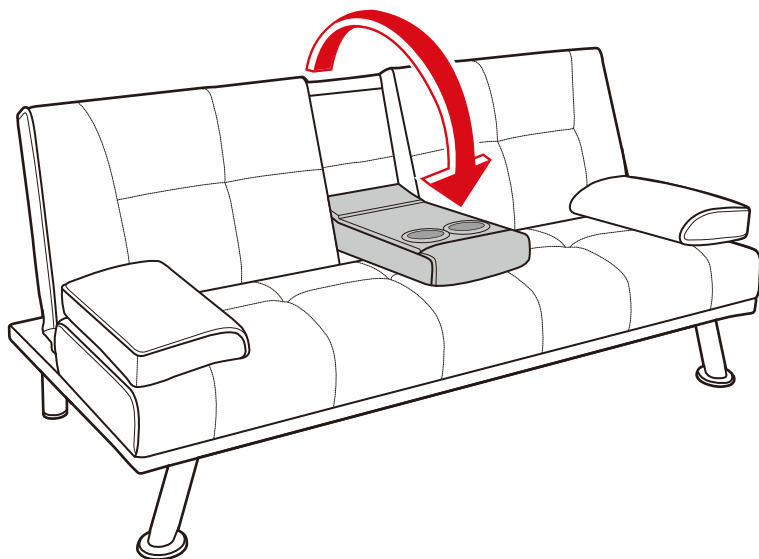
## PRODUCT ASSEMBLY - FUTON

3

Place two part D armrests.



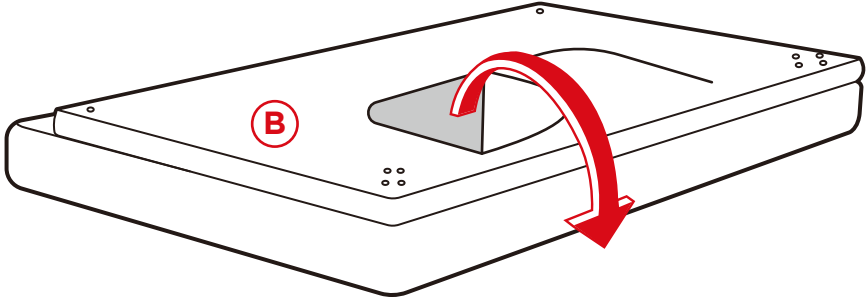
Unfold the center armrest to access the two cupholders.



## PRODUCT ASSEMBLY - SINGLE SEAT

1

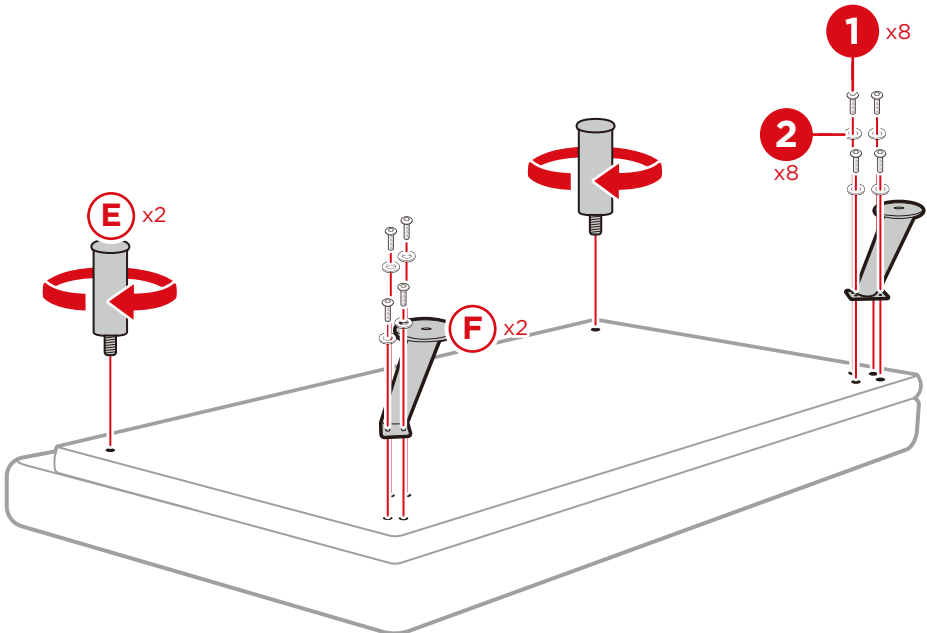
Remove legs and hardware from the compartment underneath the part B single seat.



2

Screw in two part E straight legs.

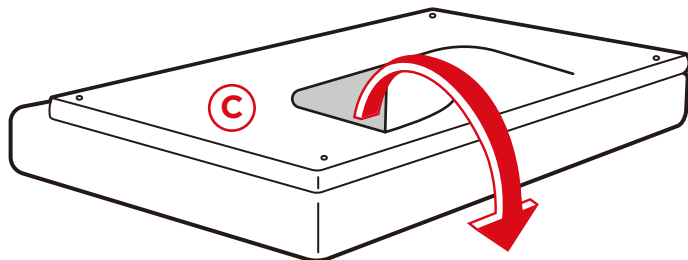
Attach two part F angled legs with eight part 1 screws and eight part 2 washers, four screws/washers per leg.



## PRODUCT ASSEMBLY - OTTOMAN

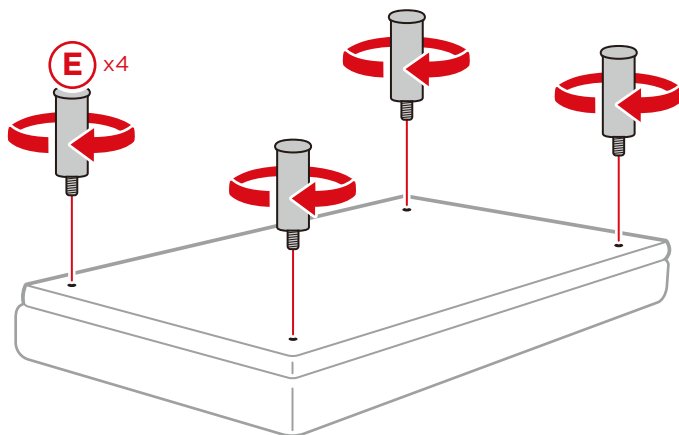
1

Remove legs from the compartment underneath the part C ottoman.



2

Screw in four part E straight legs.

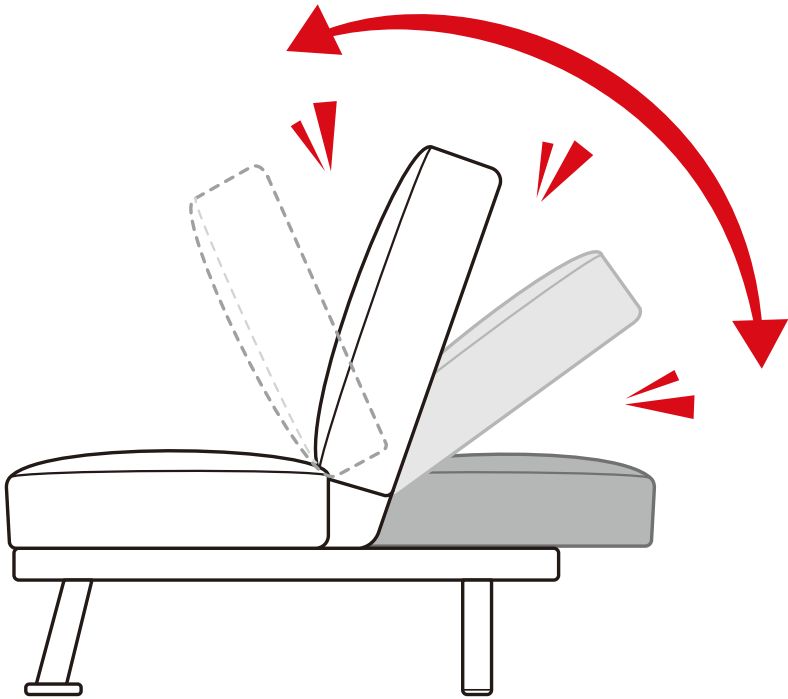




## ADJUSTING THE BACKREST

The futon and single seat lock at three positions: upright, leaning back, and flat.

To adjust the position, bring the backrest all the way forward, then lean it back to your desired position.



## CALIFORNIA PROPOSITION 65

**⚠️ WARNING:** This product can expose you to Diisononyl phthalate (DINP), which is known to the State of California to cause cancer. For more information go to [www.P65Warnings.ca.gov](http://www.P65Warnings.ca.gov)



**bestchoiceproducts**

---

Check out more great products:

**[bestchoiceproducts.com](https://www.bestchoiceproducts.com)**

---

Earn points while you shop. Join today!

bestchoiceproducts  
**rewards**

Join | Earn | Redeem

Give your friends 15% off their first order! For each successful referral you'll receive 100 points.

[bestchoiceproducts.com](https://bestchoiceproducts.com)



# HELP CENTER



Question about your product? We're here to help. Visit us at:

[help.bestchoiceproducts.com](http://help.bestchoiceproducts.com)



Chat Support



Product Inquiry



Orders FAQ



Product Assembly



Returns & Refunds

## PRODUCT WARRANTY INFORMATION

All items can be returned for any reason within 60 days of the receipt and will receive a full refund as long as the item is returned in its original product packaging and all accessories from its original shipment are included. All returned items will receive a full refund back to the original payment method. All returned items will not be charged a re-stocking fee.

All returned items require an RA (Return Authorization) number, which can only be provided by a Best Choice Products Customer Service Representative when the return request is submitted. Items received without an RA may not be accepted or may increase your return processing time. Once an item has been received by Best Choice Products, refunds or replacements will be processed within 5 business days.

All returns must be shipped back to the Best Choice Products Return Center at the customer's expense. If the reason for return is a result of an error by Best Choice Products then Best Choice Products will provide a pre-paid shipping label via email. Boxes for return shipping will not be provided by Best Choice Products, and is the customer's responsibility to either use the original shipping boxes or purchase new boxes.

Pictures may be required for some returns to ensure an item is not damaged prior to its return. Items returned are not considered undamaged until they are received by Best Choice Products and verified as such. All damages to items are the customer's responsibility until the item has been received by and acknowledge by Best Choice Products as undamaged.



## WARNING

Manufacturer and seller expressly disclaim any and all liability for personal injury, property damage or loss, whether direct, indirect, or incidental, resulting from the incorrect attachment, improper use, inadequate maintenance, unapproved modification, or neglect of this product.