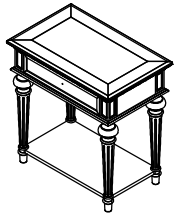
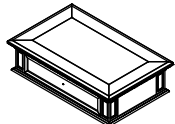

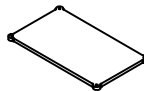



HEKMAN®

A HOWARD MILLER COMPANY

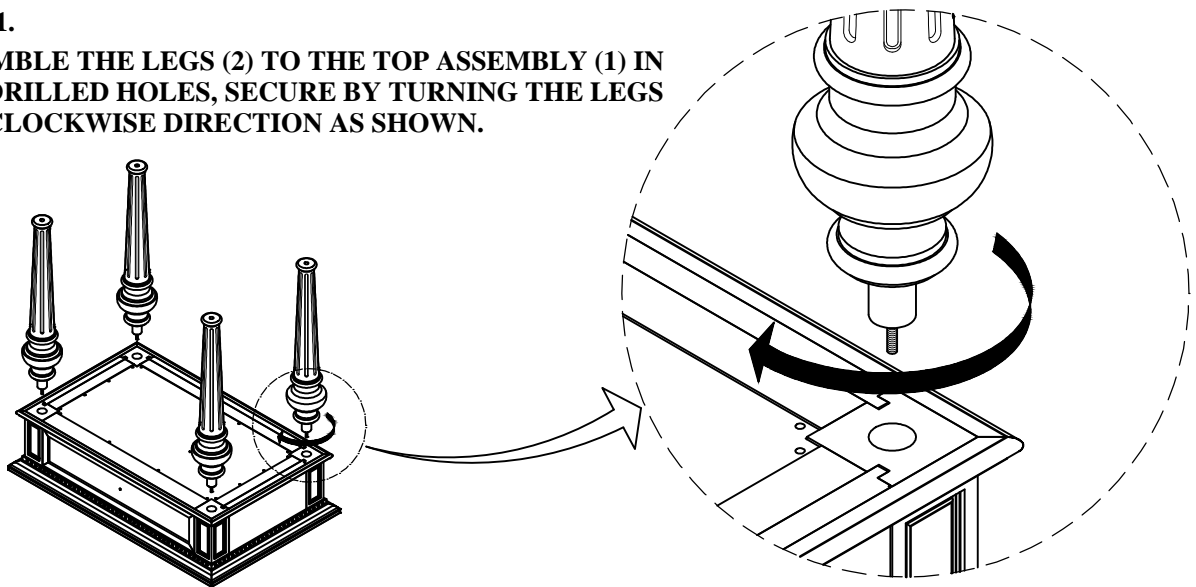
23364 SINGLE DRAWER NIGHTSTAND

PART INSIDE				
1	2	3	2	
TOP ASSEMBLY (1 Pc)	LEGS (4 Pcs)	SHELF (1 Pc)	BUNFEET (4 Pcs)	
				

Assembly Instruction

STEP 1.

ASSEMBLE THE LEGS (2) TO THE TOP ASSEMBLY (1) IN PRE-DRILLED HOLES, SECURE BY TURNING THE LEGS IN A CLOCKWISE DIRECTION AS SHOWN.



STEP 2.

ATTACH THE SHELF (3) TO THE LEGS (2) WITH THE BUNFEET (4) BY TURNING THE BUNFEET IN A CLOCKWISE DIRECTION AS SHOWN.

