

# Important safety

Please read carefully

Please retain instructions for future reference.

## SAFETY INSTRUCTIONS

- When using electrical appliances, basic safety precautions should always be followed.
- Check that the voltage indicated on the rating plate corresponds with that of the local network before connecting the appliance to the mains power supply.
- This appliance can be used by children aged from 8 years and above and persons with reduced physical, sensory or mental capabilities and knowledge, if they have been supervised/instructed and understand the hazards involved.
- Children shall not play with the appliance.
- Children should not perform cleaning or user maintenance, unless they are older than 8 and supervised.
- This appliance is not a toy.
- If the power supply cord, plug or any part of the appliance is malfunctioning or if it has been dropped or damaged, cease using the product immediately to avoid potential injury.
- This appliance contains no user serviceable parts, only a qualified electrician should carry out repairs. Improper repairs may place the user at risk of harm.
- Keep the appliance and its power supply cord out of the reach of children.
- Keep the appliance out of the reach of children when it is switched on or cooling down.
- Keep the appliance and its power supply cord away from heat or sharp edges that could cause damage.
- Keep the power supply cord away from any parts of the appliance that may become hot during use.
- Keep the appliance away from other heat emitting appliances.
- Do not allow the power supply cord to hang over worktops, touch hot surfaces or become twisted.
- Do not immerse the electrical components of the appliance in water or any other liquid.
- Do not operate the appliance with wet hands or if any connections are wet.
- If this appliance falls or accidentally becomes immersed in water, unplug it from the wall outlet immediately. Do not reach into the water.
- Do not leave the appliance unattended whilst connected to the mains power supply.
- Do not remove the appliance from the mains power supply by pulling the cord; switch it off and remove the plug by hand.
- Do not pull or carry the appliance by its power supply cord.
- Do not use the appliance for anything other than its intended use.
- Do not use any accessories other than those supplied.
- Do not use this appliance outdoors.
- Do not store the appliance in direct sunlight or in high humidity conditions.
- Do not move the appliance whilst it is in use.
- Always unplug the appliance after use and allow it to cool fully before any cleaning, user maintenance or storing away.
- Always use the appliance on a stable, heat-resistant surface, at a height that is comfortable for the user.
- This appliance should not be operated by means of an external timer or separate remote control system.
- Use of an extension cord with the appliance is not recommended.
- This appliance is intended for domestic use only. It should not be used for commercial purposes.



**CAUTION:** Hot surface – do not touch hot sections or heating components of the appliance.



**WARNING:** Keep the appliance away from flammable materials.

UK CE

**EN | Disposal of Waste Batteries and Electrical and Electronic Equipment**



This product is labelled with this crossed out wheel bin symbol in accordance with European Directive 2012/19/EC to indicate that it must not be disposed of with your other household waste. Due to the presence of hazardous substances, mixtures or components, electrical and electronic devices that are not subject to selective sorting are potentially dangerous to the environment and human health. Please check your local city office or waste disposal service for the return and recycling of this product.

Manufactured by:  
Ultimate Products UK Ltd.,  
Victoria Street, Manchester OL9 0DD. **UK.**  
Ultimate Products Europe Ltd.,  
19 Baggot Street Lower, Dublin D02 X658. **ROI.**  
**MADE IN CHINA.**

CD260324/MD000000/V1

# User manual

Toaster

**STEP 6:** If the bread has not fully reheated, repeat steps 4–5. To stop the cycle, press **'CANCEL'**.

**STEP 7:** Switch off and unplug the toaster from the mains power supply.

**STEP 8:** Remove the food from the toasting slots using heat-resistant oven gloves. Gently lift the loading lever to raise the toast out of the toasting slots so that it can be more easily removed.

## Automatic centring guides

Lowering the loading lever closes the centring guides and holds the bread centrally in the toasting slots.



**NOTE:** The loading lever will not lock down unless the toaster is plugged into a mains power supply and is switched on.

## Crumb tray

The toaster is equipped with a crumb tray; it should be periodically emptied so that the toaster operates correctly.

To remove the crumb tray, which is situated at the back of the toaster housing, pull the back handle towards the user.

Empty the crumb tray and then reinsert it, pushing it until it clicks back into position.

## Storage

The toaster must be cool, clean and dry before storing in a cool, dry place. Never wrap the cord tightly around the toaster; wrap it loosely to avoid causing damage.

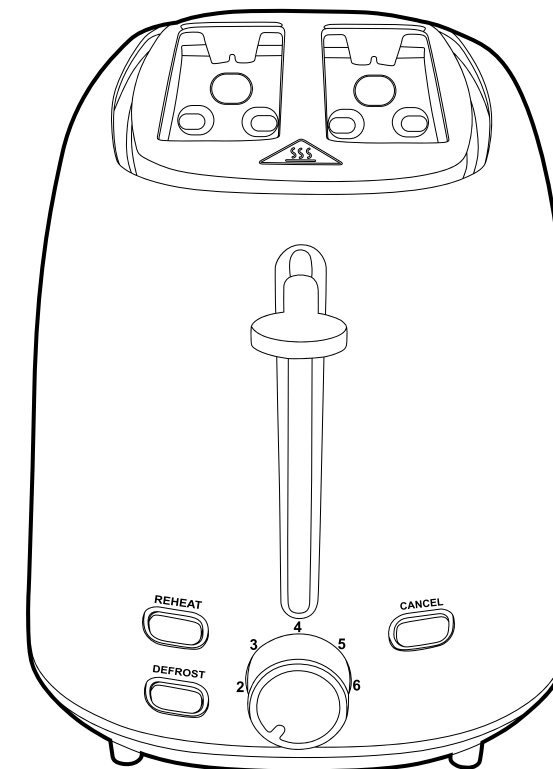
## Specifications

Product code: EK6640

Input: 220–240 V ~ 50–60 Hz

Output: 780–930 W

Power consumption (off mode): 0 W



To register for your extended guarantee, scan the QR code or visit [guarantee.uppic.com/salter](http://guarantee.uppic.com/salter) and register your product within 30 days of purchase. For any further queries, visit [www.salter.com](http://www.salter.com).

Manufactured by:  
Ultimate Products UK Ltd.,  
Victoria Street, Manchester OL9 0DD. **UK.**  
Ultimate Products Europe Ltd.,  
19 Baggot Street Lower, Dublin D02 X658. **ROI.**

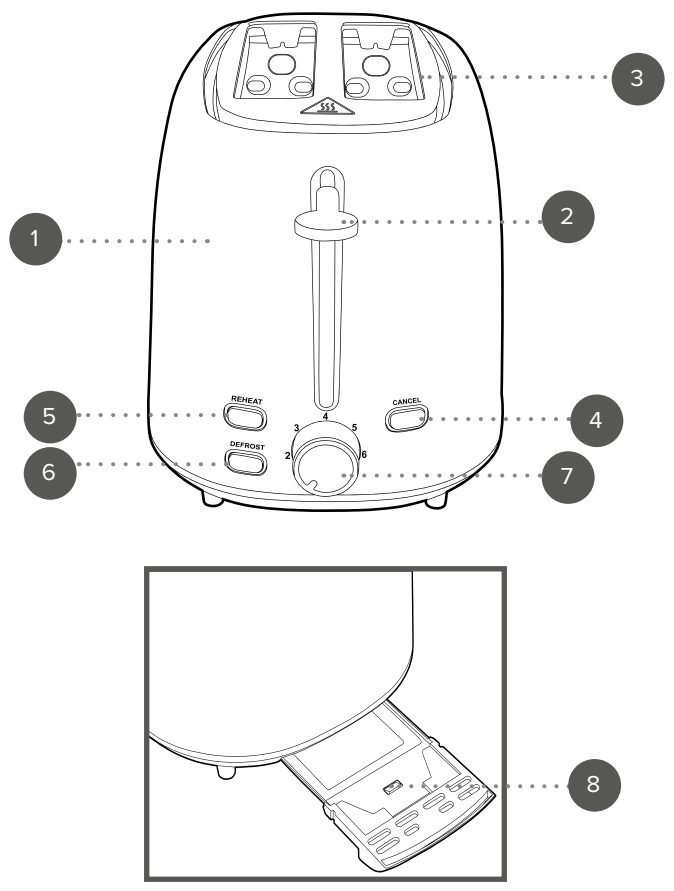
**MADE IN CHINA.**

©Salter trademark. All rights reserved.

CD310325/MD260925/V2

**SALTER**  
1760

**Description of parts**



- 1. Toaster housing
- 2. Loading lever
- 3. Toaster slots
- 4. Cancel button
- 5. Reheat button
- 6. Defrost button
- 7. Browning control dial
- 8. Removable crumb tray

Please retain instructions for future reference.

**Dos and don'ts**



Always unplug the toaster and allow it to cool thoroughly before attempting to remove any bread that has become stuck inside the toasting slot.  
 Take care when removing food from the toasting slots to avoid damage to the internal mechanism and heating element.  
 Switch off the toaster and disconnect it from the mains power supply before changing or fitting attachments.



Never use attachments if they are loose, damaged or broken.  
 Never place fingers near or inside the toasting slots.  
 Do not allow crumbs to build up inside the base of the toaster. Empty the crumb tray periodically.  
 Do not operate the toaster without bread, as this may cause damage to the toaster.  
 Never use a fork or sharp-edged utensil to remove toast, as this may damage the heating element or cause injury.

**Care and maintenance**

- STEP 1:** Before attempting any cleaning or maintenance, unplug the toaster from the mains power supply and allow to fully cool.
- STEP 2:** Wipe the toaster housing with a soft, damp cloth and dry thoroughly.
- STEP 3:** Remove crumbs from inside the base of the toaster by sliding open the crumb tray following the instructions in the section entitled 'Crumb tray'.



**CAUTION:** Never use harsh or abrasive cleaning detergents or scourers to clean the toaster, as this could damage the surface.

**Instructions for use**

**Before first use**

Before connecting to the mains power supply, clean the toaster following the instructions in the section entitled 'Care and maintenance'.



**NOTE:** When using the toaster for the first time, a slight smoke or odour may be emitted. This is normal and will soon subside. Allow for sufficient ventilation around the toaster.

**Using the toaster**

- STEP 1:** Place the toaster onto a flat, stable, heat-resistant surface at a height that is comfortable for the user. Make sure that the crumb tray is pushed fully into the toaster housing and that the toasting lever is in the upright position, with no bread or other objects inserted into the toasting slots.
- STEP 2:** Plug in and switch on the toaster at the mains power supply.

- STEP 3:** Turn the browning control dial to the desired setting. Select 4–5 for medium brown toast.
- STEP 4:** Insert the bread or food to be toasted into the toasting slots and lower the loading lever until it is locked into place. Toasting will begin when the lever is fully down.
- STEP 5:** When the bread reaches the desired browning level, the toast will pop up automatically.
- STEP 6:** Turn the toaster off and unplug it from the mains power supply.
- STEP 7:** Remove the food and any crumbs from the toasting slots using heat-resistant gloves. Gently lift the loading lever to raise the food out of the toasting slots so that it can be more easily removed.



**NOTE:** To interrupt toasting mid-setting, press 'CANCEL'. The cancel button will remain illuminated throughout the toasting cycle.



**CAUTION:** Do not toast pastries with runny fillings or frosting. Do not toast torn slices of bread. Do not allow bread to burn.

**Using the defrost setting**

- The defrost setting allows bread to defrost or it can toast bread from frozen.
- STEP 1:** Make sure that the crumb tray is pushed fully into the toaster and that the toasting lever is in the upright position.
  - STEP 2:** Plug in and switch on the toaster at the mains power supply.
  - STEP 3:** Set the browning control dial to the desired setting.
  - STEP 4:** Insert the frozen bread into the toasting slots and lower the loading lever until it is locked into position. Defrosting will begin once the lever is fully lowered, and 'DEFROST' has been pressed (this will remain illuminated throughout the defrost process).
  - STEP 5:** When the defrost setting has completed its cycle, the bread will pop up automatically.
  - STEP 6:** If the bread has not fully defrosted, repeat steps 4–5. To stop the cycle, press 'CANCEL'.
  - STEP 7:** Switch off and unplug the toaster from the mains power supply.
  - STEP 8:** Remove the food from the toasting slots using heat-resistant oven gloves. Gently lift the loading lever to raise the toast out of the toasting slots so that it can be more easily removed.

**Using the reheat setting**

- The reheat setting allows toast to be reheated which has gone cold.
- STEP 1:** Make sure that the crumb tray is pushed fully into the toaster and that the toasting lever is in the upright position.
  - STEP 2:** Plug in and switch on the toaster at the mains power supply.
  - STEP 3:** Set the browning control dial to the desired setting.
  - STEP 4:** Insert the cold toast into the toasting slots and lower the loading lever until it is locked into position. Reheating will begin once the lever is fully lowered and 'REHEAT' has been pressed (this will remain illuminated throughout the reheating process).
  - STEP 5:** When the reheat setting has completed its cycle, the toast will pop up automatically.