



Dutchmaster Midnight Floral™ Carillon®

21-1/4" rectangular drop-in bathroom sink, no overflow
K-30334-DM2

Features

- Decorated with a dramatic floral pattern on black background
- Produced in collaboration with artist-photographer Ashley Woodson Bailey (AWB™)
- Rectangular basin with subtle lift at edges
- Wading pool design accommodates a wide variety of faucets
- No faucet holes; requires wall- or counter-mount faucet

Material

- Vitreous china

Installation

- Drop-in

Recommended Products/Accessories

- K-23726 Drain treatment
- K-23725 Cast iron cleaner



ADA CSA B651

Codes/Standards

ASME A112.19.2/CSA B45.1
ADA
ICC/ANSI A117.1
CSA B651

KOHLER® Vitreous China Bathroom Sink Lifetime Limited Warranty

See website for detailed warranty information.

Available Colors/Finishes

Color tiles intended for reference only.

Color Code Description

■ 0 White

1-800-4KOHLER (1-800-456-4537)

Kohler Co. reserves the right to make revisions without notice to product specifications.

For the most current Specification Sheet, go to www.kohler.com USA or www.kohler.ca Canada

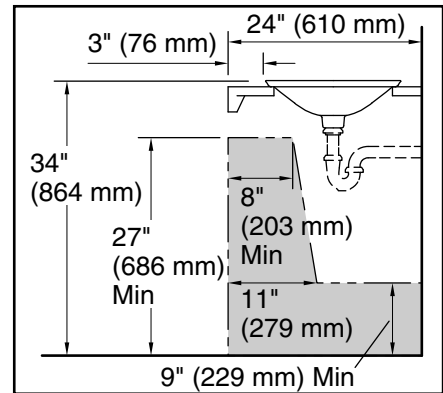
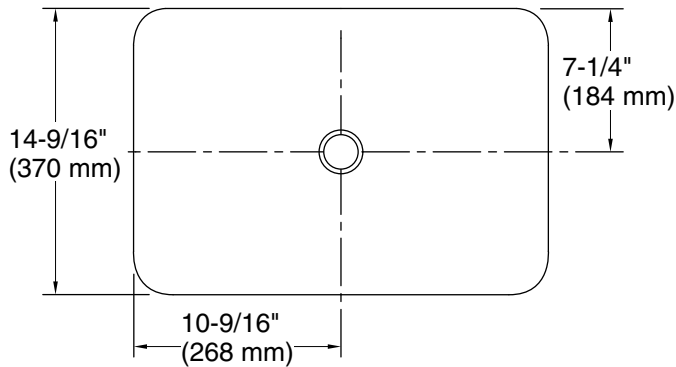
9-1-2025 20:44 - US/CA

THE BOLD LOOK
OF **KOHLER**®

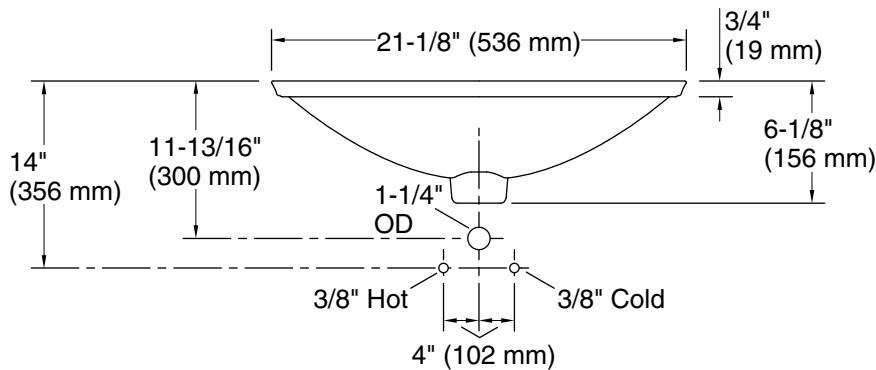


Dutchmaster Midnight Floral™ Carillon®

21-1/4" rectangular drop-in bathroom sink, no overflow
K-30334-DM2



Recommended ADA Installation



Standard Installation

Technical Information

All product dimensions are nominal.

Basin configuration: Single Bowl

Bowl area (Only): Length: 21-1/8" (536 mm)
Width: 14-9/16" (370 mm)
Bowl depth: 4-1/8" (105 mm)
Water depth: 4-1/8" (105 mm)

With overflow: No

Template: 1242828, required, included

Notes

Install this product according to the installation instructions.

NOTICE: Countertop manufacturer or cutter must use the current product template available at www.kohler.com, or by calling 1-800-4KOHLER. Kohler Co. is not responsible for cutout errors when the incorrect cutout template is used.

ADA, CSA B651 compliant when installed to the specific requirements of these regulations.