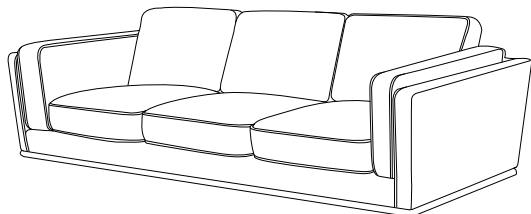


ASSEMBLY INSTRUCTIONS

SOFA

A Sofa

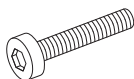


B Leg



1 pc

C Bolt
25/64" x 2-23/64"



4 pcs

D Lock Washer
25/64"



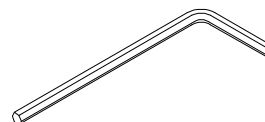
4 pcs

E Flat Washer
25/64"



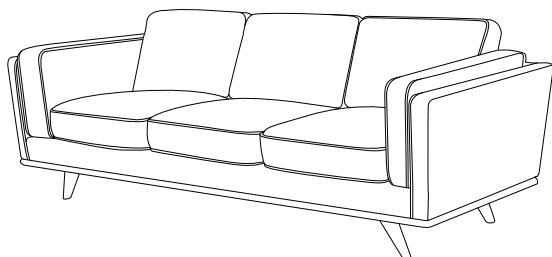
4 pcs

F Allen Wrench
5/16"



4 pcs

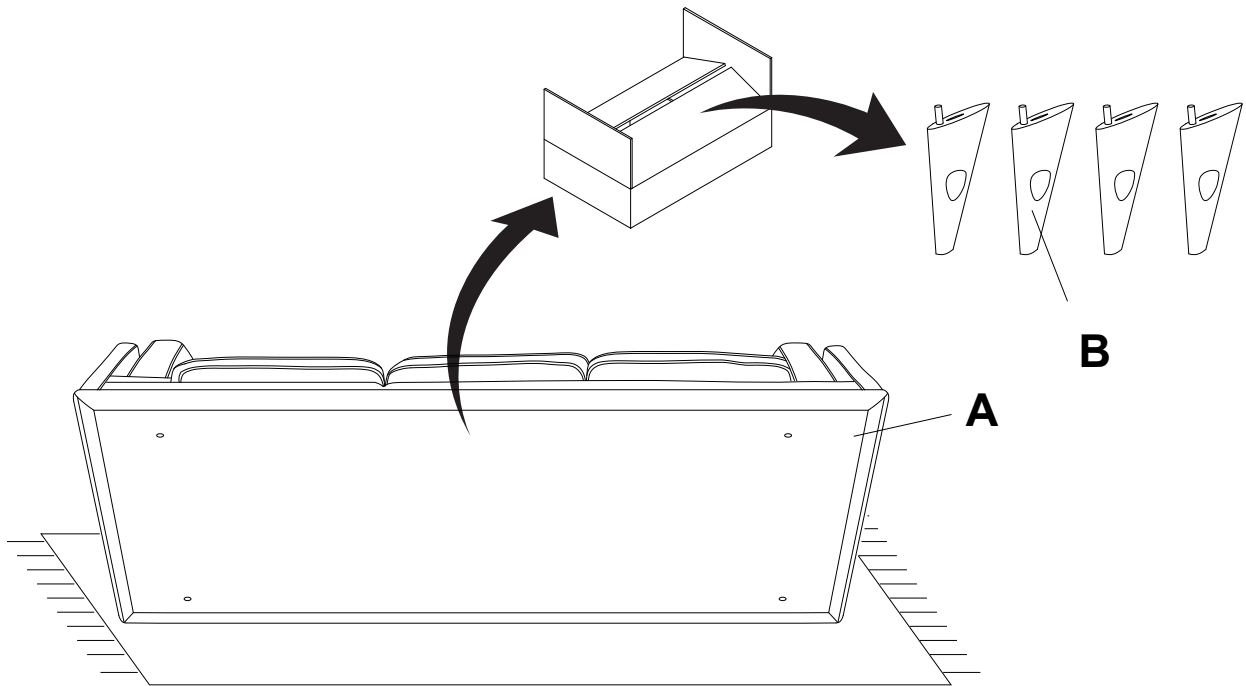
1 pc



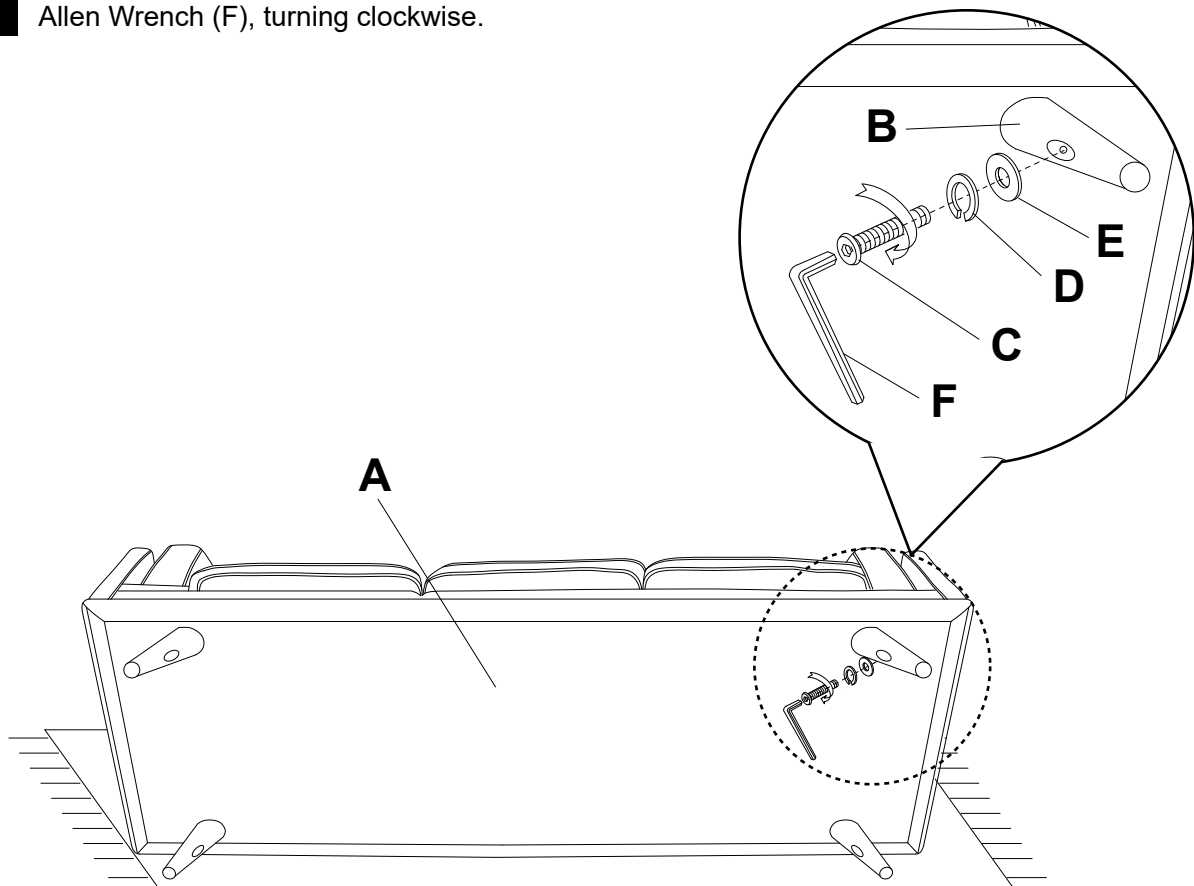
This page lists all the contents included in the box. Please take the time to identify the hardware as well as the individual components to this product. As you unpack and prepare for assembly, place the contents on a carpeted or padded area to protect them from damage.

1

Turn the Sofa (A) upside down on a carpeted or padded area. Take out the 4pcs Leg (B) from the foot box.

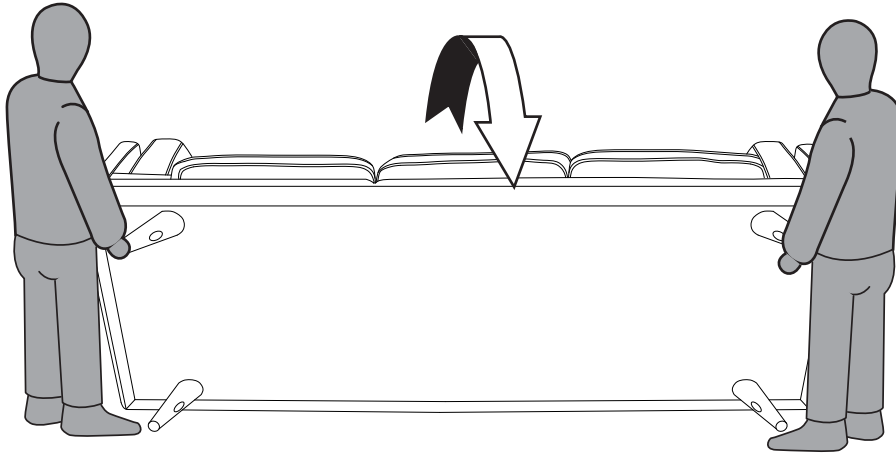
**2**

Attach the Leg (B) to the Sofa (A) using Bolt (C), Lock Washer (D) and Flat Washer (E) with the Allen Wrench (F), turning clockwise.



3

Two people are required to orient the sofa upright on an even surface and check for balance.



Cleaning & Care

Treat surfaces with care. Clean surfaces with a dry or damp soft cloth. Do not use abrasive cleaners. Hardware may loosen over time. Periodically check that all connections are tight.