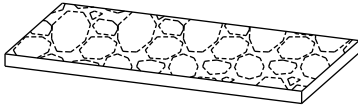


# ASSEMBLY INSTRUCTION

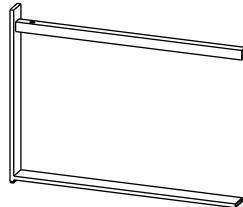
## COFFEE TABLE

**A** Marble Top  
(In other carton)



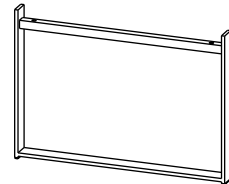
1pc

**B** Side Panel



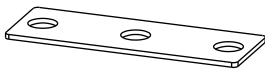
2pcs

**C** Side Frame



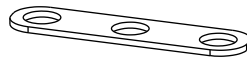
1pc

**D** Metal Sheet



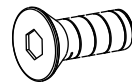
1pc

**E** Metal Sheet



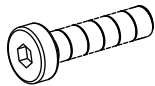
1pc

**F** Bolt  
1/4" x 1/2"



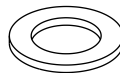
6pcs

**G** Bolt  
1/4" x 1-1/2"



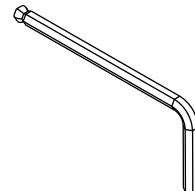
4pcs

**H** Flat Washer  
16mm

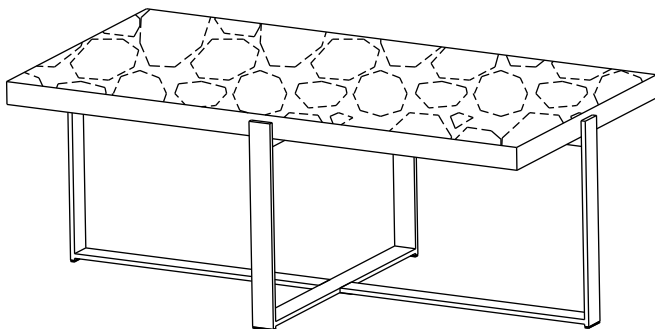


4pcs

**I** Allen Wrench  
1/4"



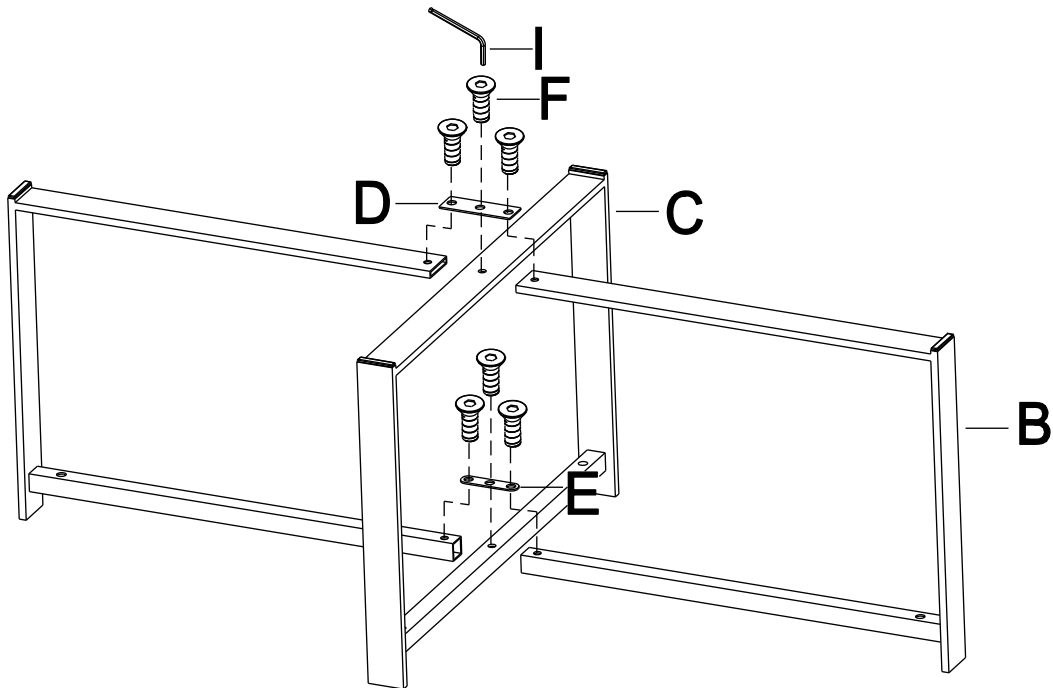
1pc



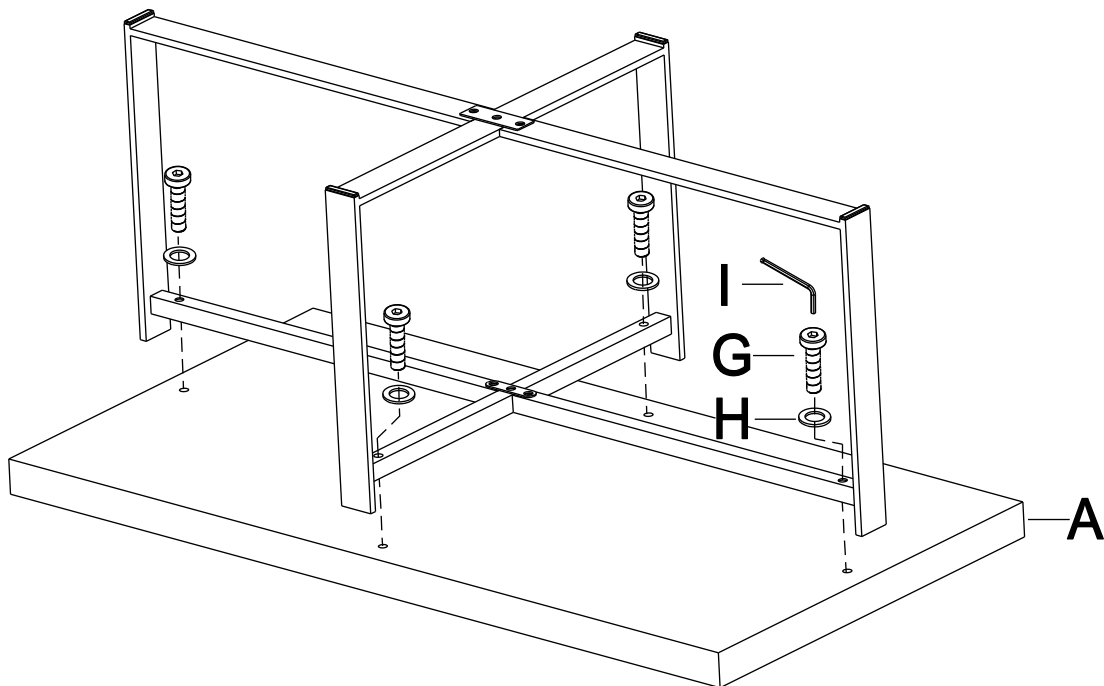
This page lists all the contents included in the box. Please take the time to identify the hardware as well as the individual components to this product. As you unpack and prepare for assembly, place the contents on a carpeted or padded area to protect them from damage.

**\*\*\* Do not tighten screws & bolts until the entire unit is completely assembled.**

- 1** Attach Side Panels (B) to Side Frame (C) by Metal Sheet (D) (E), Bolt (F) and Allen Wrench (I) as shown.



- 2** Attach assembled metal base to Marble Top (A) by Bolt (G), Flat Washer (H) and Allen Wrench (I) as shown.



### Cleaning & Care

Treat surface with care. Surface is resistant to scratches but is not scratch resistant. Clean surfaces with a dry or damp soft cloth. Do not use abrasive cleaners. Hardware may loosen over time. Periodically check that all connections are tight.