

Features

- Open-back design is perfect for small spaces and makes faucet installation easier
- Center toe-tap drain
- Wide ledge on one side is ideal for deck-mount faucet and/or handshower
- Integral lumbar support on both ends
- Built-in integral overflow
- 4.5" drain-to-floor clearance for above-floor drain installation
- Rectangle shape allows for corner or back-to-wall installation

Material

- Acrylic

Installation

- Above-floor-drain (AFD) rough-in
- Concealed adjustable legs make leveling during installation easy

Included Components

1381626-0 Drain Assembly, White



Codes/Standards

CSA B45.5/IAPMO Z124
ASTM E162
ASTM E662

STERLING® Vikrell® or Acrylic Baths and Shower Bases Ten-Year Limited Warranty

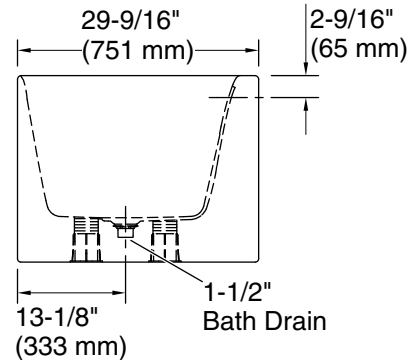
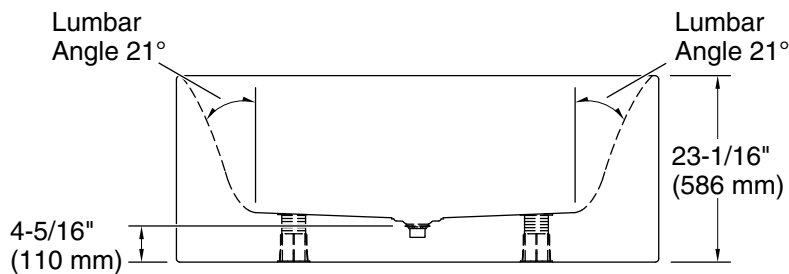
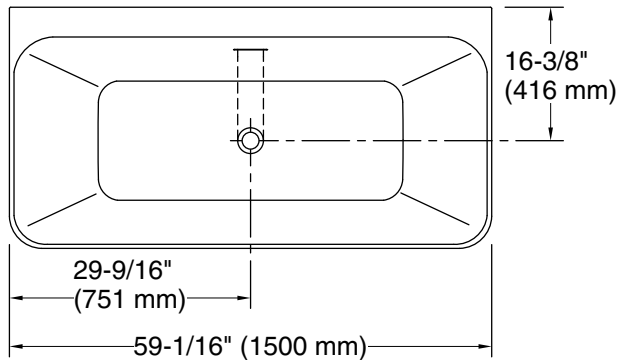
See website for detailed warranty information.

Available Colors/Finishes

Color tiles intended for reference only.

Color Code Description

	0	White
---	---	-------



Technical Information

All product dimensions are nominal.

- Drain location: Center
- Basin area, bottom: 39-1/16" x 14-11/16" (992 mm x 373 mm)
- Basin area, top: 58" x 25-3/8" (1473 mm x 645 mm)
- Water depth: 14-9/16" (370 mm)
- Water capacity: 56 gal (212 L)

Notes

Install this product according to the installation instructions.

Measure your actual product for roughing-in details.

The hot water supply should be 70% of the capacity of the bath or greater. Installations will vary.

Do not support the load weight of the bath by the rim.

If installing a rim-mount faucet, make sure there is no interference above or below the deck before drilling any holes.