

Iron/Impressions® | K-3051-1

37" Enameled cast iron vanity top with integrated oval sink

Features

- Single faucet hole
- Elongated oval basin



Sustainability



Available Colors/Finishes

Color tiles intended for reference only.

- 0 White
- FF Sea Salt
- 96 Biscuit
- NY Dune
- 95 Ice Grey
- FT Basalt
- 7 Black Black
- GRL Lavender Grey
- DGB Indigo Blue
- PLM Black Plum



Codes/Standards

ASME A112.19.1/CSA B45.2

Technical Information

Number of Deck Holes:	1
Faucet Hole(s) Size:	1-3/8" (35 mm)
Drain Hole Diameter:	1-3/4" (44 mm)
Basin Configuration:	Single Bowl
Basin Length:	32" (813 mm)
Basin Width:	13-7/8" (352 mm)
Basin Depth:	4-15/16" (125 mm)

Material

- KOHLER® enameled cast iron
-

Recommended Products/Accessories

K-23726 Drain treatment

K-9018 Adjustable P-trap with long tubing outlet, 1-1/4" x 1-1/4"

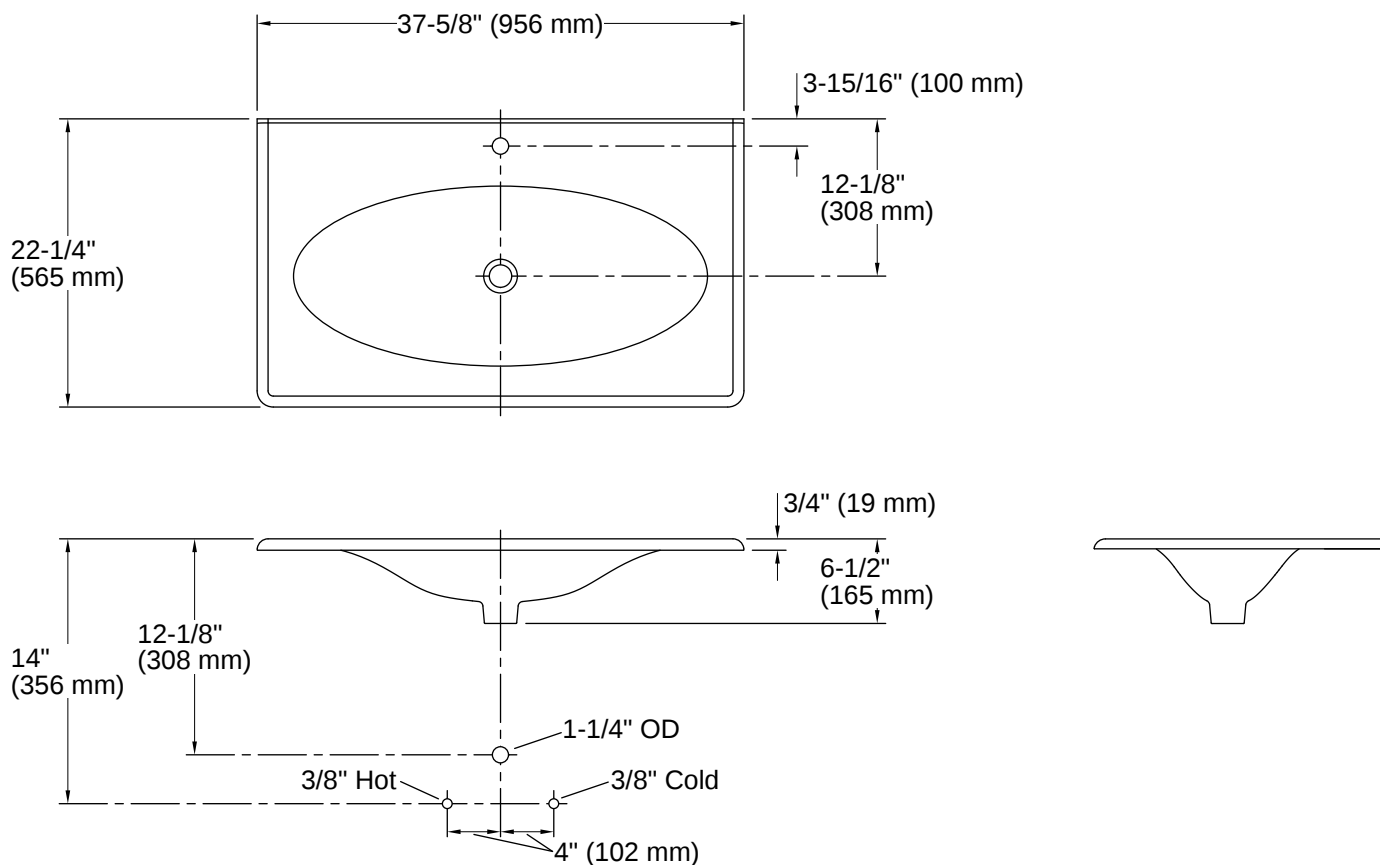
K-23725 Cast iron cleaner

Warranty

See website for detailed warranty information.

KOHLER® Enameled Cast Iron Kitchen and Bathroom Sink Lifetime Limited Warranty





Installation

- Vanity top

Installation Notes

Install this product according to the installation instructions.

NOTE: When selecting a faucet for this bathroom sink, ensure the faucet has a spout reach of 4-1/2" (114 mm) to 5" (127 mm) and has a spout height of 3" (76 mm) to 6" (152 mm).

Product does not have an overflow.

