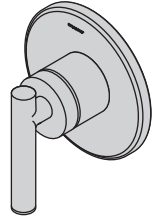





35-2DIV-CYL-TRM, 35-3DIV-CYL-TRM
Dia® Diverter Trim Series

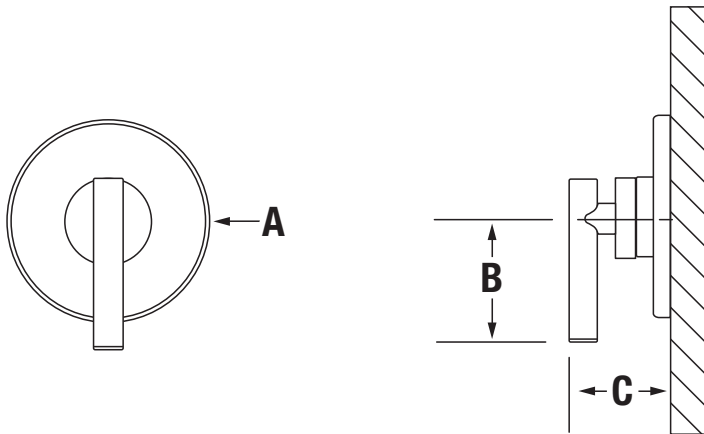
Operation & Maintenance Manual



<p>Model Numbers</p> <p><input type="checkbox"/> 35-2DIV-CYL-TRM <i>Dia Dual Outlet Diverter Trim</i></p> <p><input type="checkbox"/> 35-3DIV-CYL-TRM <i>Dia Triple Outlet Diverter Trim</i></p>	<p>Specifications</p> <p>Dual and triple outlet diverter trim made from metal and plastic materials plated in standard polished chrome finish.</p>
<p>Modifications</p> <p><input type="checkbox"/> -BBZ <i>Brushed Bronze finish</i></p> <p><input type="checkbox"/> -MB <i>Matte Black finish</i></p> <p><input type="checkbox"/> -STN <i>Satin Nickel finish</i></p> <p>Note: Append appropriate -suffix to model number.</p>	<p>Compliance</p> <p>-ASME A112.18.1/CSA B125.1</p> <div style="text-align: right;">  </div> <p>Warranty</p> <p>Limited Lifetime - to the original end purchaser in consumer installations. 5 Years - for commercial installations.</p> <p>Refer to www.symmons.com/warranty for complete warranty information.</p>

Dimensions

Measurements	
A	Ø 5", 127 mm
B	3 1/8", 80 mm
C	2 7/8", 72 mm

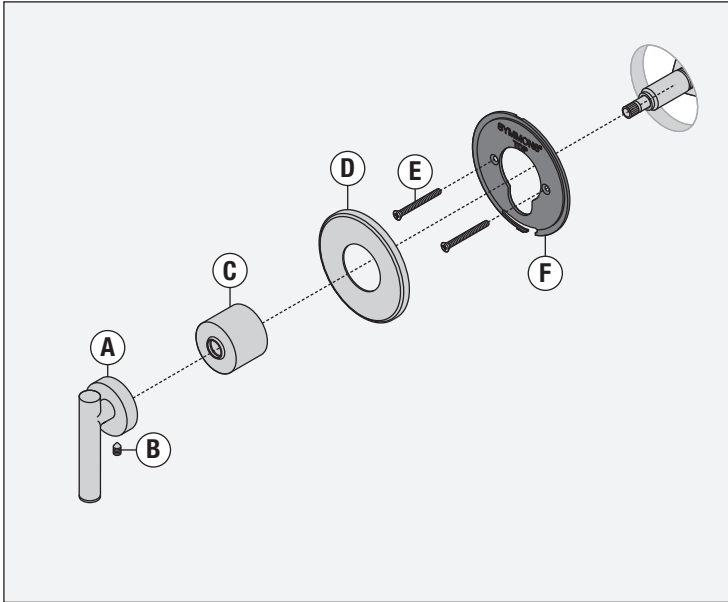


Note: Dimensions are subject to change without notice.

35-2DIV-CYL-TRM, 35-3DIV-CYL-TRM
Dia® Diverter Trim Series

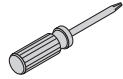

Operation & Maintenance Manual

Parts Breakdown



Replacement Parts		
Item	Description	Part Number
A B	Handle Assembly Set Screw	T-242A
C	Dome Cover	T-19
D E F	Diverter Escutcheon Screws Mounting Plate	Diverter Escutcheon Kit T-416A

Note: Append -suffix to part number for premium finish.

Required for Installation	
Phillips head screwdriver	
Allen wrench (3/16")	

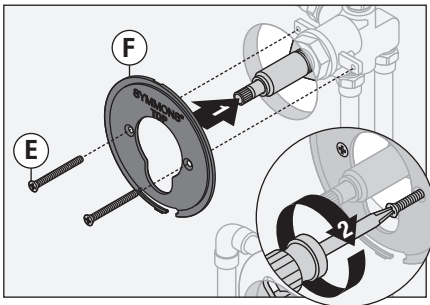
35-2DIV-CYL-TRM, 35-3DIV-CYL-TRM Dia® Diverter Trim Series

Operation & Maintenance Manual

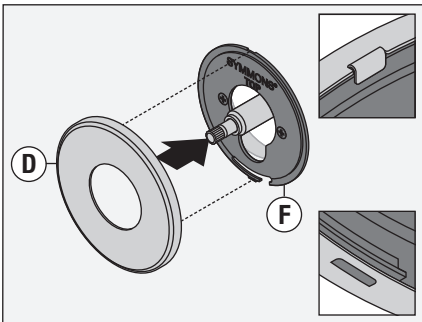
Installation

Note: For rough-in installation, please see valve body installation guide.

- 1) Install plastic mounting plate (F)
Secure with two screws (E).

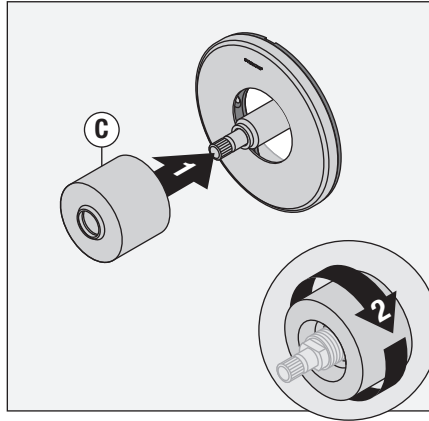


- 2) Attach diverter escutcheon (D) to plastic mounting plate (F).

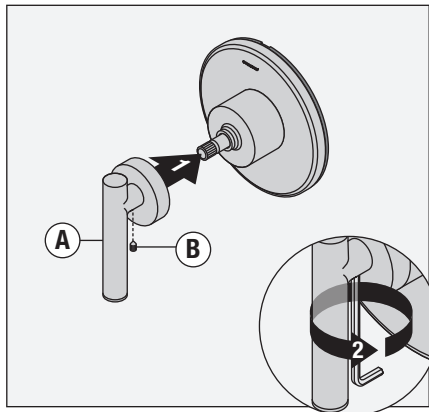


Note: Tabs should snap into place.

- 3) Install dome cover (C) to valve by turning clockwise.



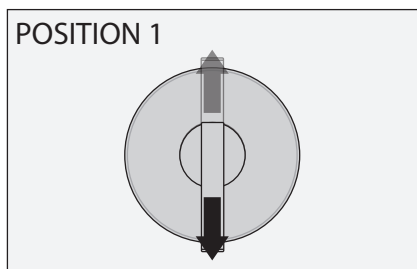
- 4) Install diverter handle (A) to valve. Secure handle by tightening Allen screw (B).



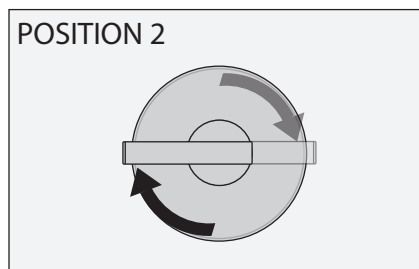
Note: Handle should be facing the 6 o'clock position.

Operation (Diverter Control: 2DIV-BODY)

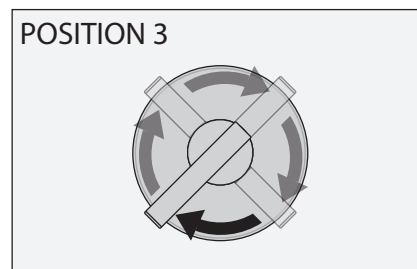
1) Cartridge is factory set to divert to function 1.



2) Turn handle to position 2 to divert to function 2.



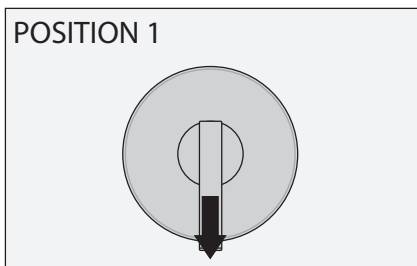
3) Turn handle to position 3 to share functions 1 and 2.



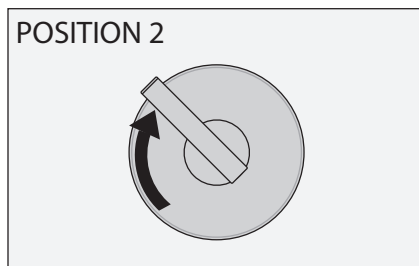
Note: Additional handle positions for same output are illustrated.

Operation (Diverter Control: 3DIV-BODY)

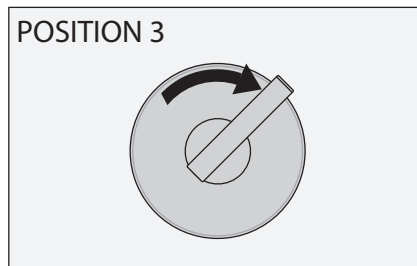
1) Cartridge is factory set to divert to function 1.



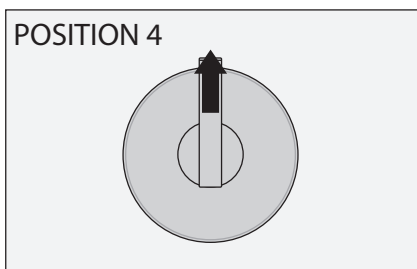
2) Turn handle to position 2 to divert to function 2.



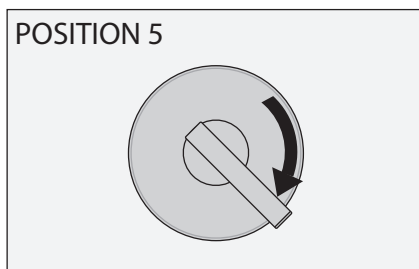
3) Turn handle to position 3 to divert to function 3.



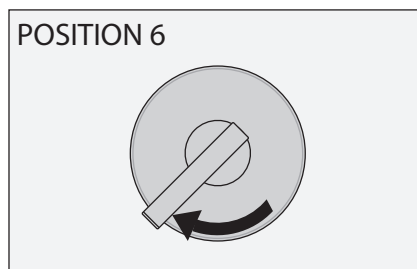
4) Turn handle to position 4 to share functions 2 and 3.



5) Turn handle to position 5 to share functions 1 and 3.



6) Turn handle to position 6 to share functions 1 and 2.



Care and Cleaning

1) Clean finished trim area with a soft cloth using mild soap and water or a non-abrasive cleaner and then quickly rinse with water.

Troubleshooting Chart

Problem	Cause	Solution
Finish is spotting.	Elements in water supply may cause water staining on finish.	Clean finished trim area with a soft cloth using mild soap and water or a non-abrasive cleaner and then quickly rinse with water.

⚠ WARNING: This product can expose you to chemicals including lead, which is known to the state of California to cause cancer, birth defects, or other reproductive harm. For more information, go to www.P65Warnings.ca.gov.