

# IPOINT CONNECT PRO

## PAYMENT PROCESSOR



72374 - CONNECT PRO Case E285 V2 - Black

## PAYMENT PROCESSOR

### **I PORT CONNECT Pro Payment Processor Install Manual**

Thank you for purchasing the all new IPORT CONNECT Platform. We hope you enjoy this revolutionary new system and if at any time you need more assistance please Contact IPORT Tech Support via Online chat or through our help desk online.

- IPORT Team

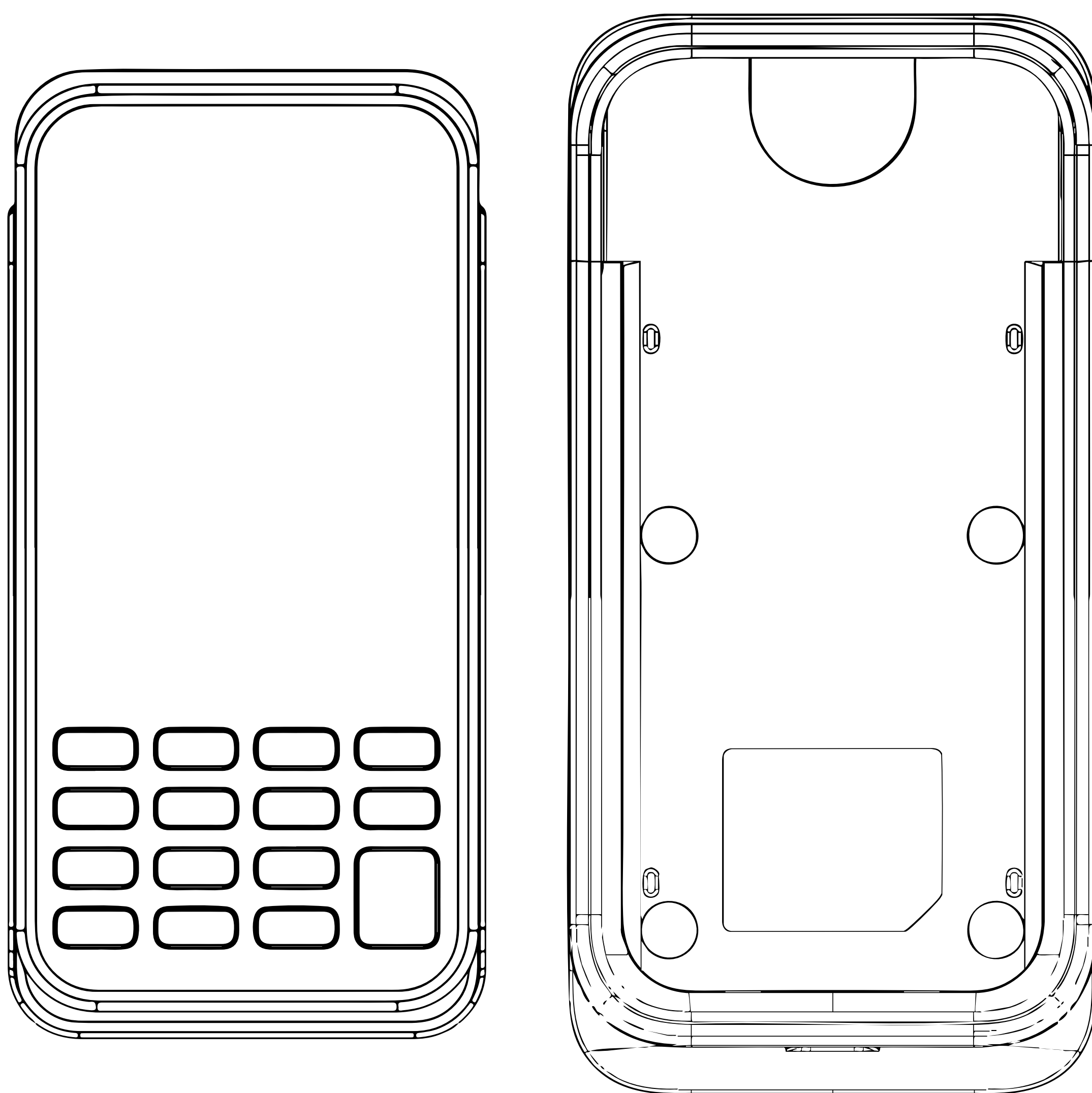
#### **Whats in box:**

- 1 - IPORT CONNECT E285 V2 Payment Processor Case
- 1 - IPORT Security Tool
- 1 - Info Card

## PAYMENT PROCESSOR

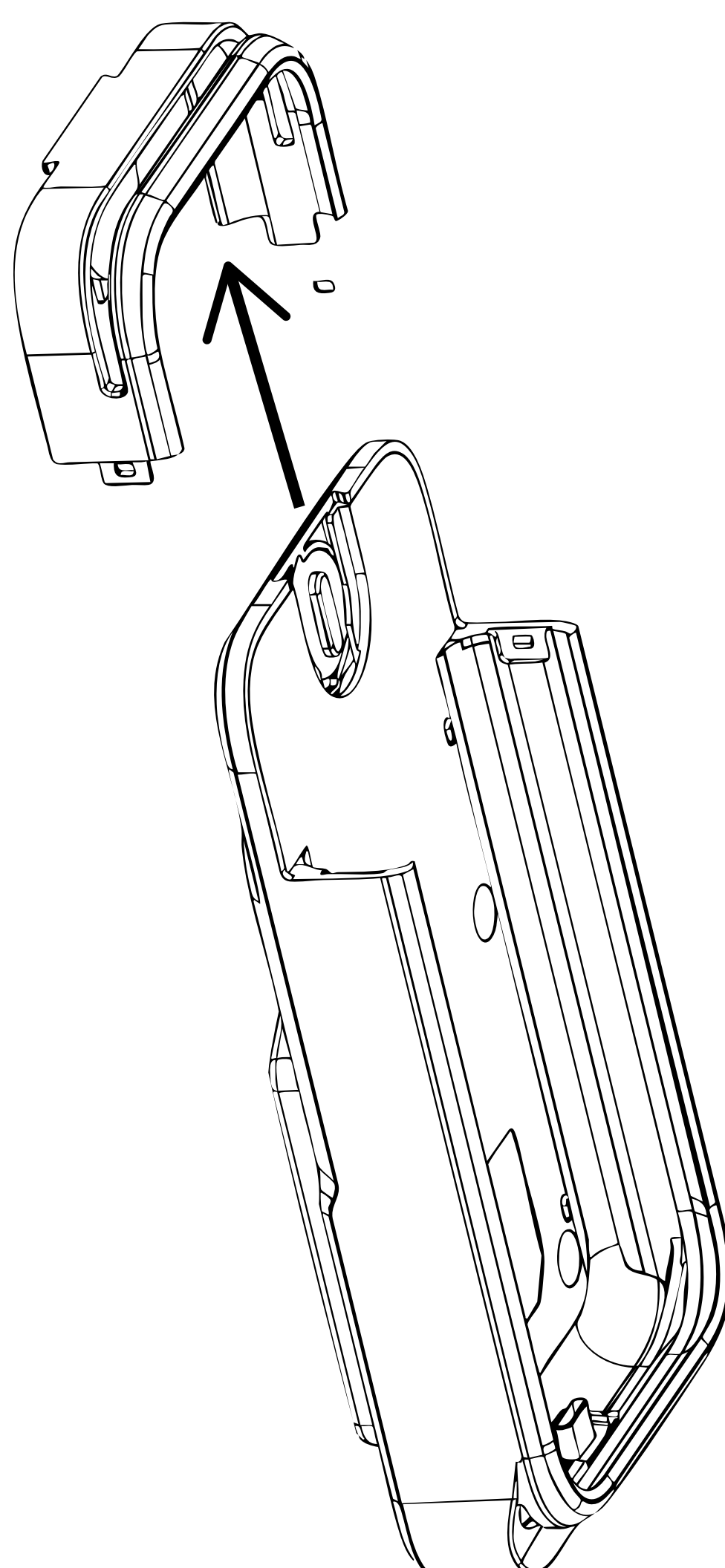
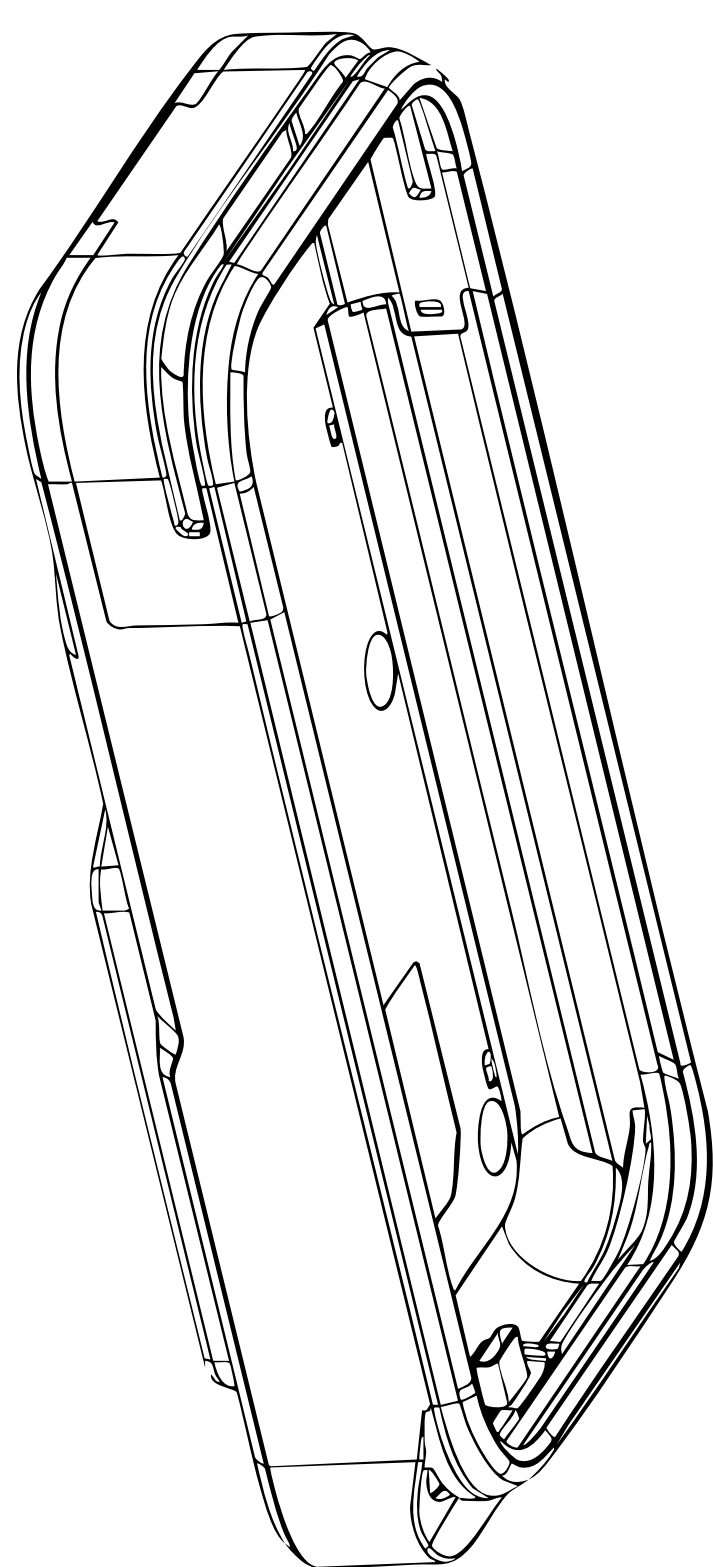
### I PORT CONNECT Pro Payment Processor Case

- 1. Remove the E285 Payment process from its box along with the I PORT CONNECT E285 Payment Processor Case.**



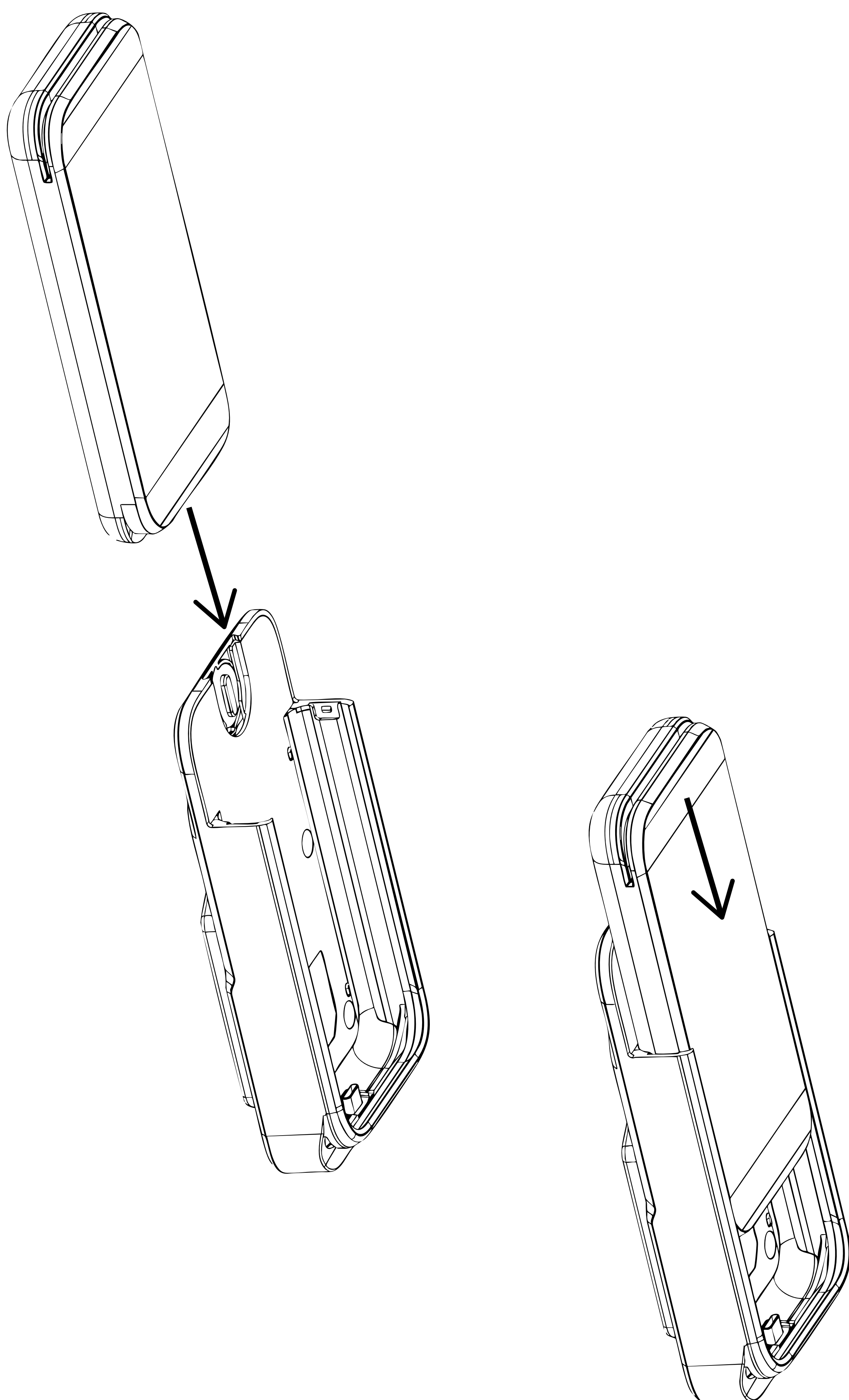
## PAYMENT PROCESSOR

- 2. Separate the short Case top from the larger lower half of the Payment Processor Case.**



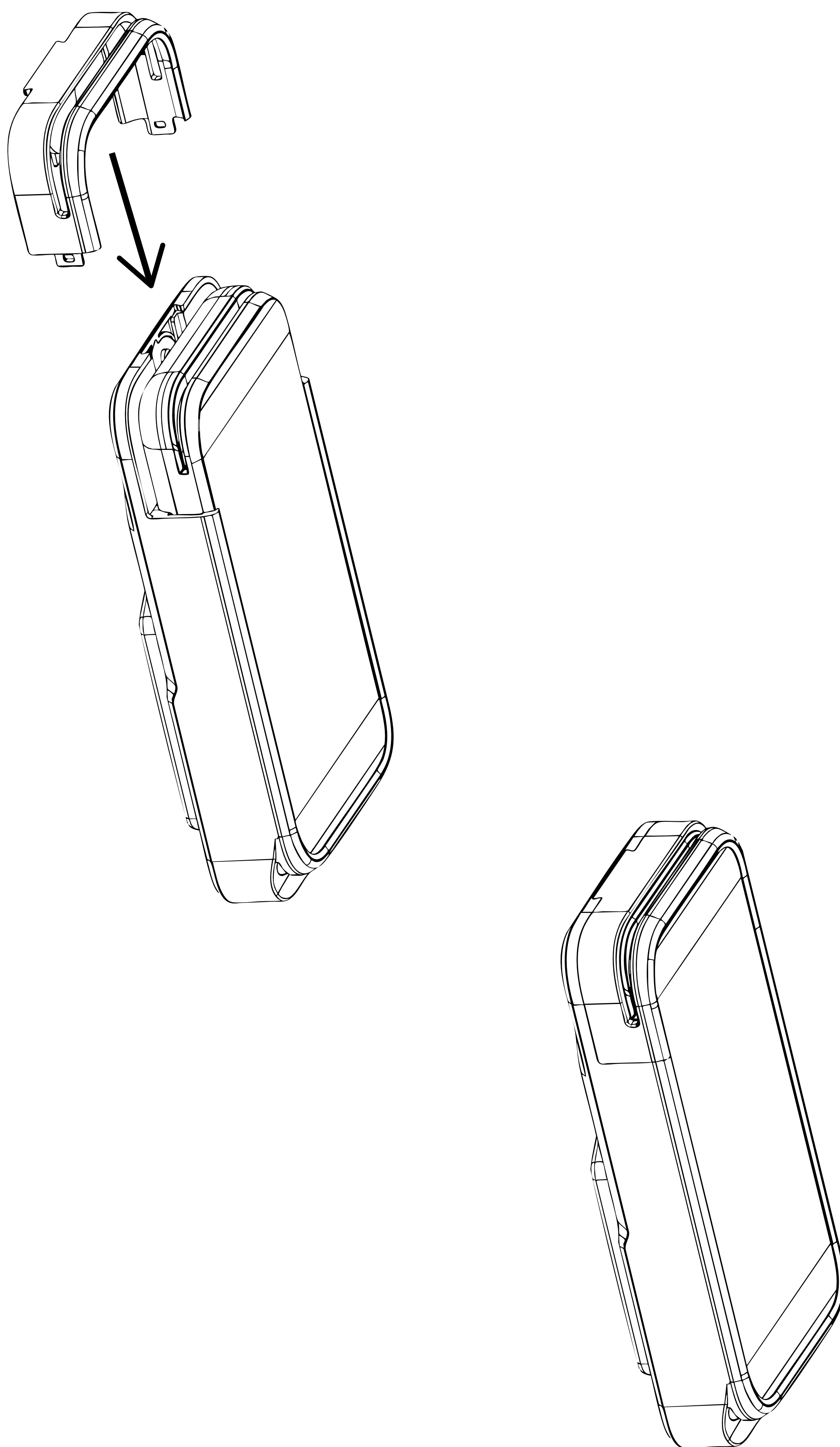
## PAYMENT PROCESSOR

- 3. Insert the E285 Payment Processor into the larger bottom half of the Payment Processor Case and seat firmly down onto the USB-C Connector.**



## PAYMENT PROCESSOR

- 4. Place the Short Case top onto the Payment processor and Large bottom half of the Payment Processor Case.**



## PAYMENT PROCESSOR

- 5. Use a flat head screw driver or coin and turn the lock clockwise to lock the Pay Case together.**

