

ASSEMBLY INSTRUCTION

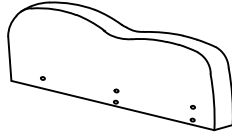
FUNCTIONAL CHAISE WITH 1 PILLOW

A Chaise Body



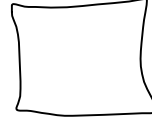
1pc

B Left Arm



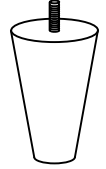
1pc

C Pillow



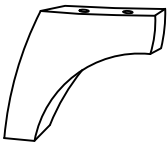
1pc

D Front Leg



2pcs

E Back Leg



2pcs

F Bolt
M8x70mm



2pcs

G Bolt
M8x60mm



7pcs

H Flat Washer
M8x17mm



4pcs

I Flat Washer
M8x20mm

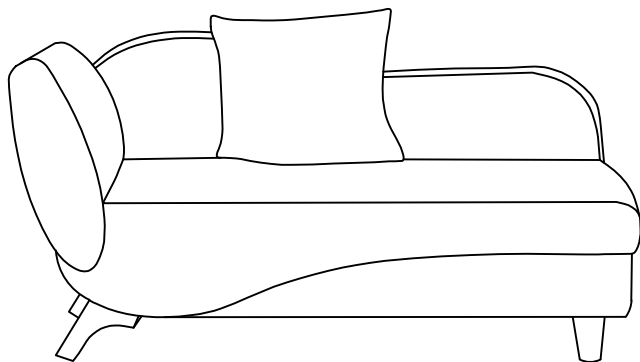


5pcs

J Allen Key
M5

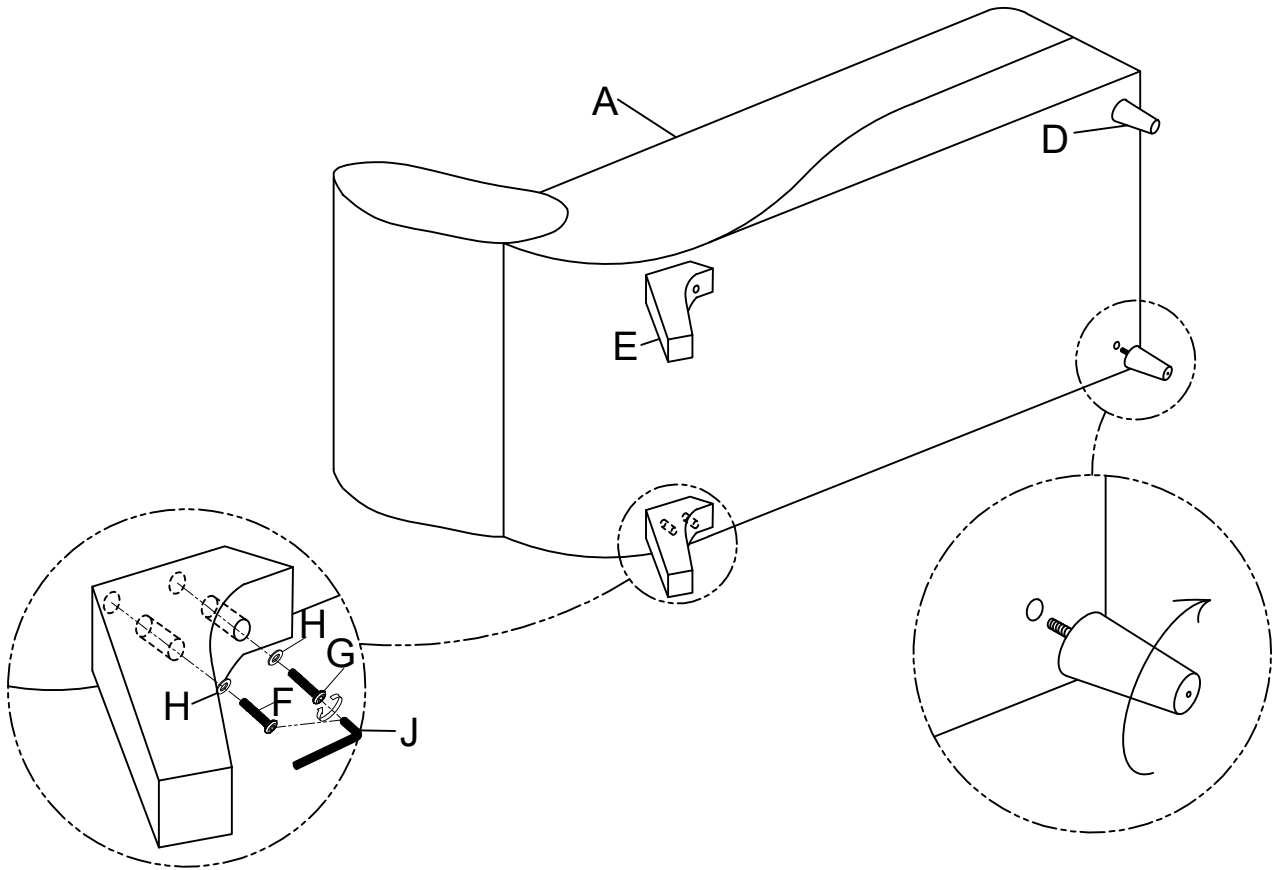


1pc

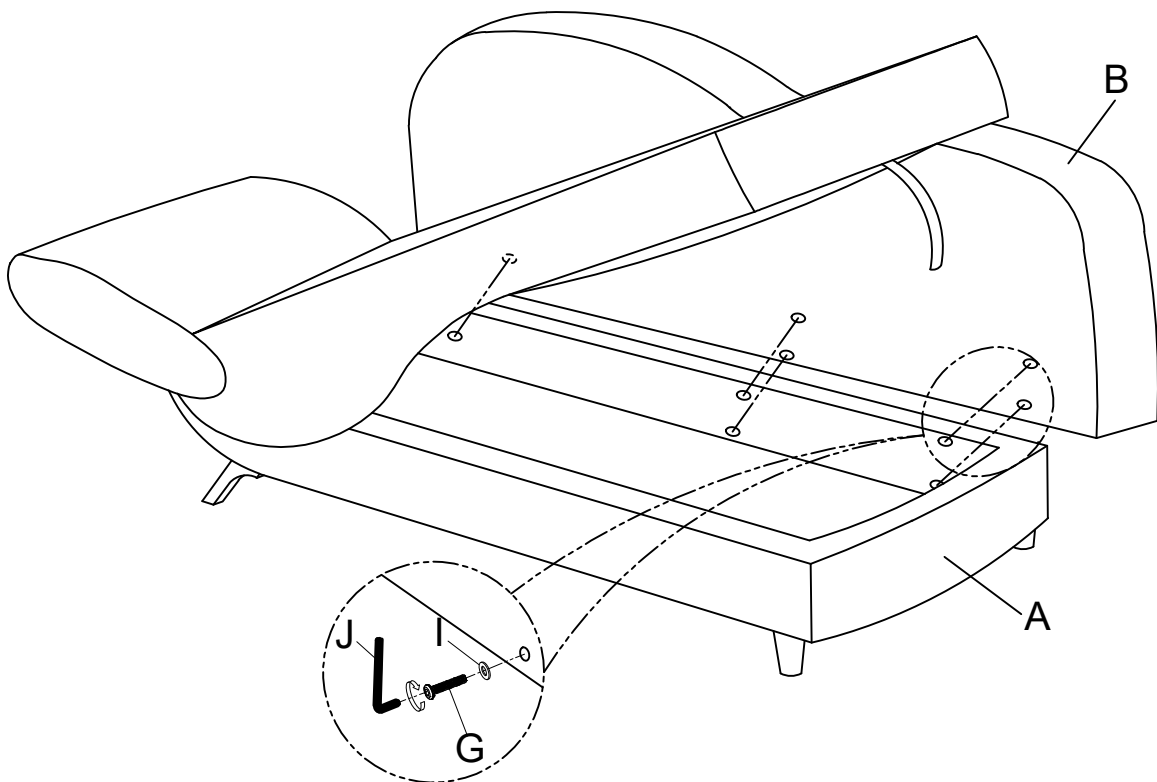


This page lists all the contents included in the box. Please take the time to identify the hardware as well as the individual components to this product. As you unpack and prepare for assembly, place the contents on a carpeted or padded area to protect them from damage.

- 1** Rotate the Front Leg (D) to the pre-drilled holes of Chaise Body (A) tightly. Assembly the Back Leg (E) to the Chaise Body (A) using Bolt (F) , Bolt (G) and Flat Washer (H), then tighten by Allen Key (J).

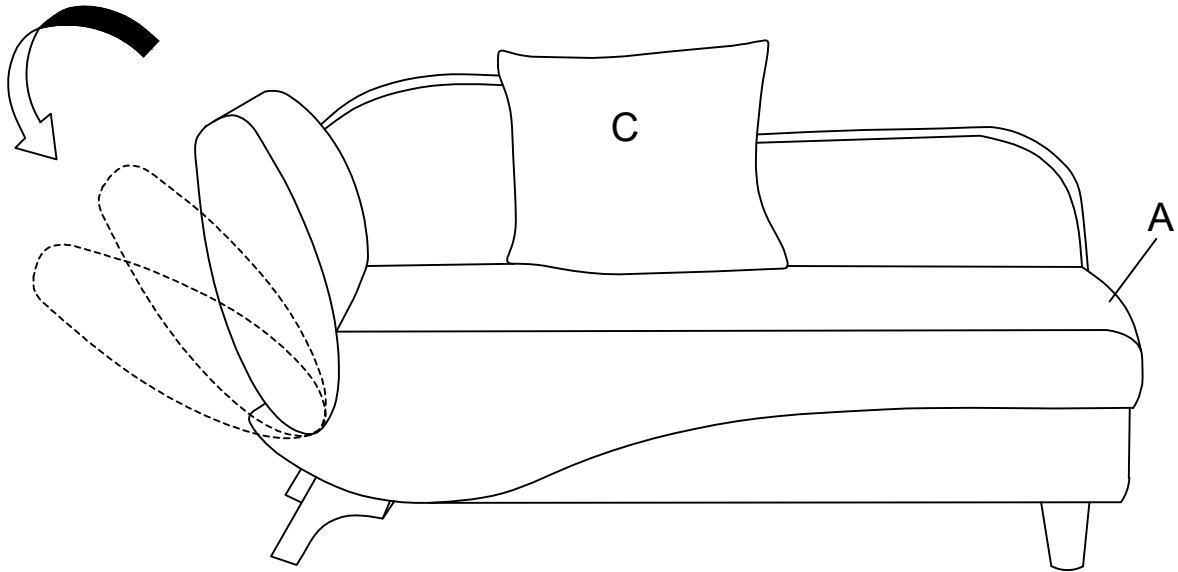


- 2** Assembly the Left Arm (B) to the Chaise Body (A) using Bolt (G) and Flat Washer (I), then tighten by Allen Key (J).



3 Put the Pillow (C) on Chaise Body (A).

Remark: The chaise back is adjustable for your choice as below shown.



Cleaning & Care

Treat surface with care. Surface is resistant to scratches but is not scratch resistant. Clean surfaces with a dry or damp soft cloth. Do not use abrasive cleaners. Hardware may loosen over time. Periodically check that all connections are tight.