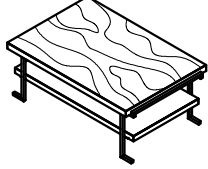









HEKMAN®

A HOWARD MILLER COMPANY

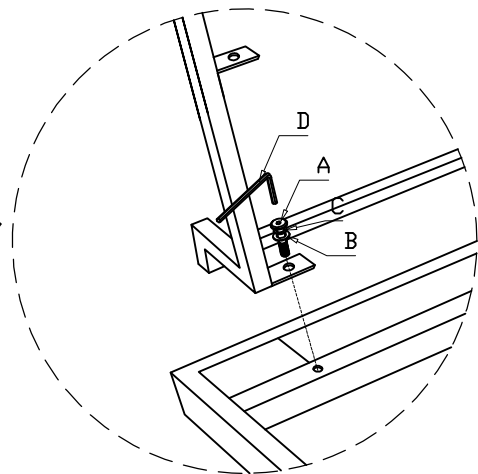
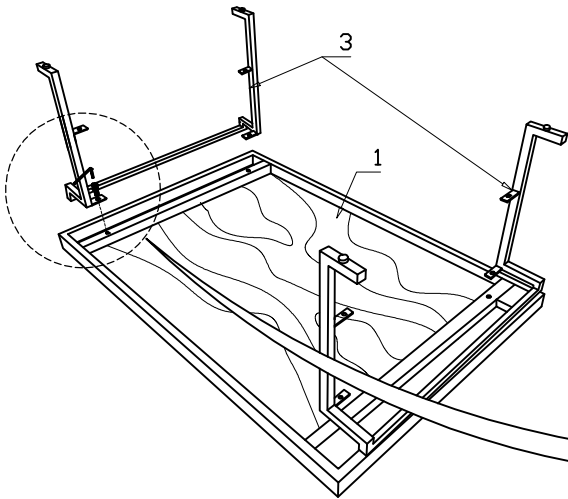
24400 RECT. COFFEE TABLE

PART INSIDE			HARDWARE LIST				
1	2	3	A	B	C	D	
TOP PANEL (1 Pc)	SHELF (1 Pc)	LEGS (2 Pcs)	ALLEN BOLT M6 X 20 (8 PCS.)	FLAT W. M6 8 PCS.	SPRING W. M6 8 PCS.	ALLEN KEY L4 (FOR ALLEN BOLT) 1 PC.	
							

Assembly Instruction

STEP 1.

LAY TOP PANEL (1) RECT. COFFEE TABLE UPSIDE DOWN ON A SOFT, CLEAN AND FLAT SURFACE. ALIGN STRETCHER TO HOLES ON LEGS (3) AND CONNECT USING FLAT WASHER (B), SPRING WASHER (C), ALLEN BOLT (A) AND ALLEN KEY (D) PROVIDED.



STEP 2.

ALIGN LEGS (3) TO HOLES ON SHELF PANEL (2) AND CONNECT USING FLAT WASHER (B), SPRING WASHER (C), ALLEN BOLT (A) AND ALLEN KEY (D) PROVIDED. TIGHTEN ALL

