

Model:157347-BN
Ajax LED 52" Ceiling Fan
Downrod Mount Only

SAFETY PRECAUTIONS

1. Turn off power at main electrical service box before starting installation.
2. Electrical connections must comply with local code ordinances or national electrical codes.
3. Make sure the installation site you choose allows the fan blades to rotate freely without any obstructions.

WARNING

- To reduce the risk of personal injury **DO NOT** bend the blade brackets when installing the brackets, balancing the blades or cleaning the fan. Also, **DO NOT** insert foreign objects in between rotating fan blades.
- Mount with the lowest moving parts at least 7 feet above floor or grade level.
- **DO NOT** operate reversing switch while fan blades are in motion. Fan must be turned off and rotating blades stopped, reverse chain pulled, the speed chain pulled again to start in the opposite direction.

TROUBLESHOOTING

TROUBLE

SUGGESTIONS

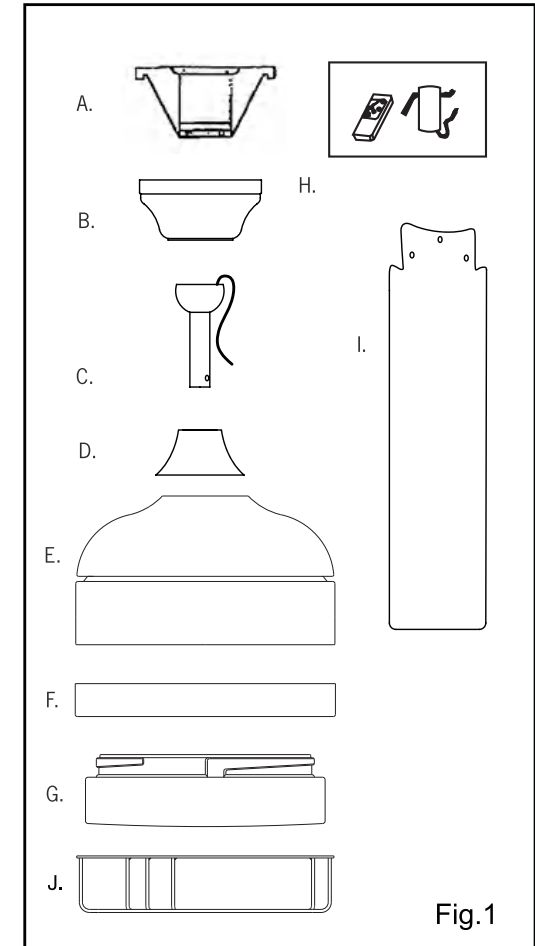
1. Fan will not start
 - Check wiring connections to fan.
 - Check fuses and circuit breakers.
 - Check wiring connections in switch housing.
 - CAUTION: Turn power off for last two items.**

2. Fan sounds noisy
 - Check to make sure that all screws in motor housing are snug.
 - Check to make sure that blade bracket screws are tight.
 - Check to make sure that wire nuts in switch housing are not rattling against wall of switch housing.
 - If fan has a light kit make sure switch housing screws and set screws are tight.
 - Allow a 24 hour break in period to eliminate most noises.

3. Fan wobbles or shakes excessively.
 - Check that all blades are screwed firmly into blade brackets.
 - Check that blade brackets are secured firmly to motor.
 - Check distance from tip of blades to ceiling. Gently bend up or down the blade brackets until all distances are the same.
 - Check distance between blade tip to blade tip. All measurements should be equal. Loosen blade screws and position blade until even then re-tighten.
 - Check that the downrod ball socket notch is engaged in canopy.
 - Check to make sure that screws in downrod are tightened.
 - Make sure canopy and mounting bracket are tightened securely to wooden joist.
 - Make sure warpage has not occurred in wooden blades. If so, contact the customer service department for replacement parts.

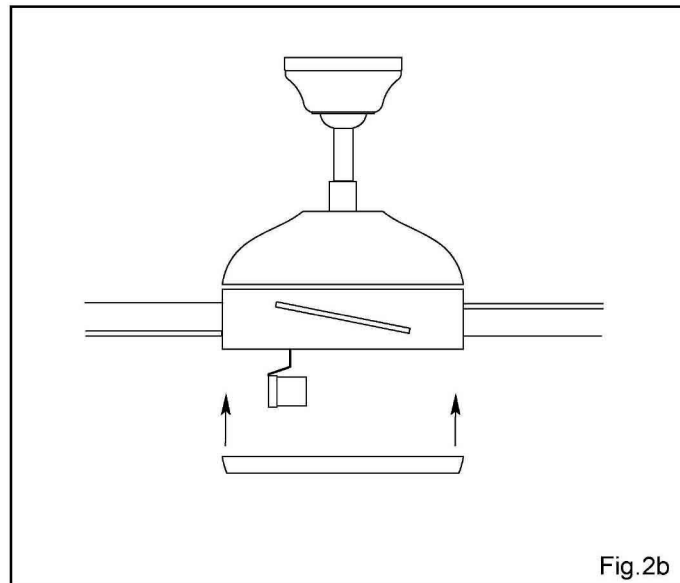
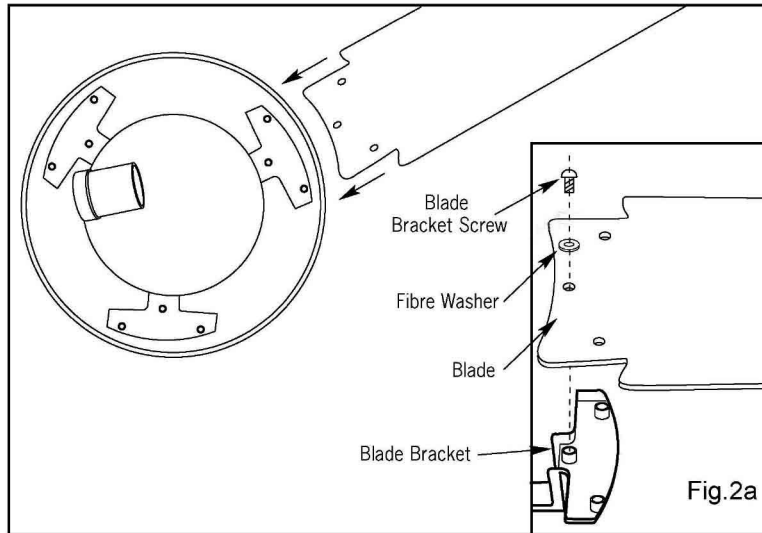
ASSEMBLY DRAWING

- A. Mounting Bracket
- B. Canopy
- C. Downrod Assembly
- D. Yoke Cover
- E. Fan Motor Assembly
- F. Motor Cover
- G. Glass
- H. Remote Control
- I. Fan Blade
- J. Glass Cover



1. ATTACH THE FAN BLADES

- Attach the blades to the fan motor assembly using the screws and flat washers.
- Mount the motor cover to the fan motor assembly, aligning screws in motor fan assembly with the key slots on the motor cover. Turn cover to lock in place and tighten screws.

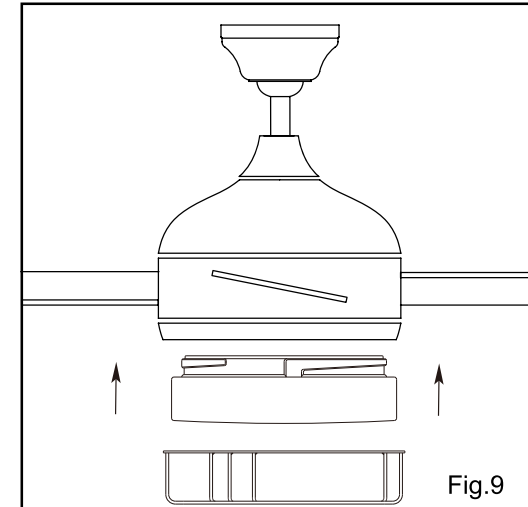


Pg. #4

7. LIGHT ASSEMBLY

- Install the bulb (19 W Max , type A , 2*9.5W LED bulbs included) and fit the shade .
- Place glass onto the fan and turn to secure.

WARNING: BE SURE TO TURN OFF POWER BEFORE INSTALLING



WARNING: Check all connections, set screws and screws are securely tightened before the next step.

Pg. #9

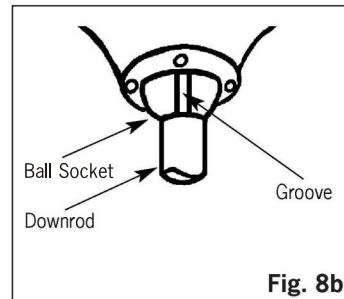
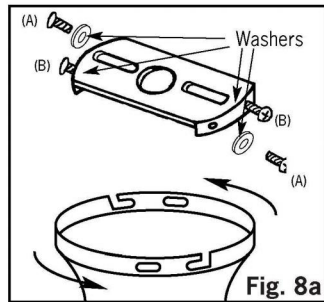
5. MOUNTING FAN ASSEMBLY

- Place two screws and washers on mounting plate (marked B on diagram) which correspond with slots in canopy. Screw in two turns.
- Position canopy to mounting plate aligning slots to screws (marked B on diagram) then turn to lock.
- Position and tighten the two screws and washers (marked A on diagram) then tighten the two screws (marked B on diagram).

6. INSTALL BALL SOCKET (Downrod Mount Only)

- Carefully rotate fan assembly until groove in hemisphere locks over tab of canopy assembly.

WARNING: Failure to seat tab in groove could cause damage to electrical wires and possible shock or fire hazard.



NOTE: When installing fan on sloped ceiling, make sure tab on hanger bracket faces towards the top of the slope. Depending on the slope, a longer downrod may be required to prevent fan blades from hitting the ceiling.

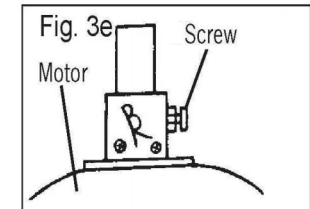
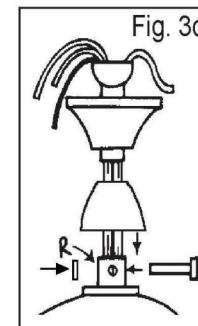
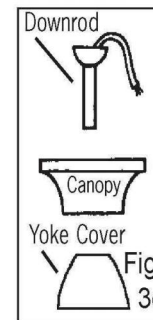
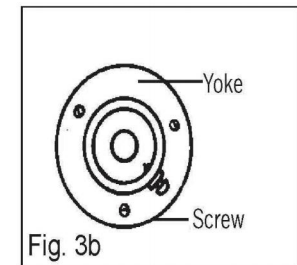
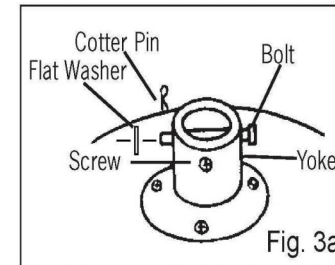
INSTALLATION

NOTE: All set screws must be checked and retightened where necessary, before and after installation.

2. MOUNTING

A DOWNROD MOUNT

- Obtain fan motor housing.
- Remove cotter pin and bolt from yoke.
- Loosen screw in yoke until it is flush with the inside surface.
- Obtain downrod, canopy and yoke cover.
- Place downrod inside canopy and yoke cover.
- Route wires exiting motor through yoke cover, canopy and downrod.
- Insert bolt through hole in shaft and downrod. **“Be careful not to damage or cut the fan wires.”**
- Tighten flat washer and bolt. Secure with cotter pin through hole in the end of the bolt.
- Secure downrod in position by tightening screws. Slide yoke cover down so it is flush with the motor housing.



3.

INSTALL MOUNTING BRACKET

WARNING: To Reduce The Risk Of Fire, Electric Shock, Or Personal Injury, Mount To UL/CSA Listed Outlet Box Marked Acceptable for Fan Support And Use Mounting Screws Provided With The Outlet Box.

- Secure mounting bracket and rubber gaskets to outlet box.
- Hang the safety cable onto the J-hook.
- Hang fan on temporary hook and install safety cable.

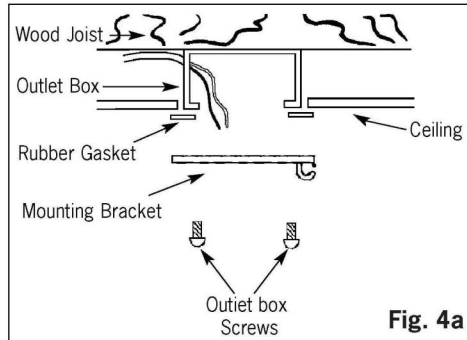


Fig. 4a

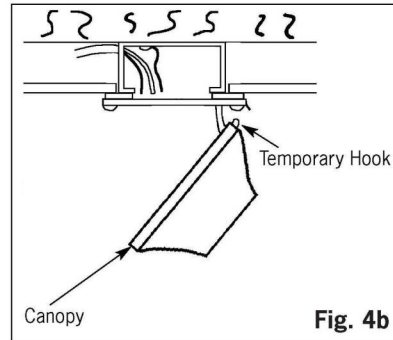
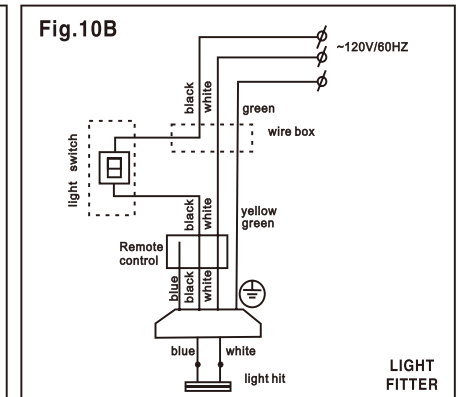
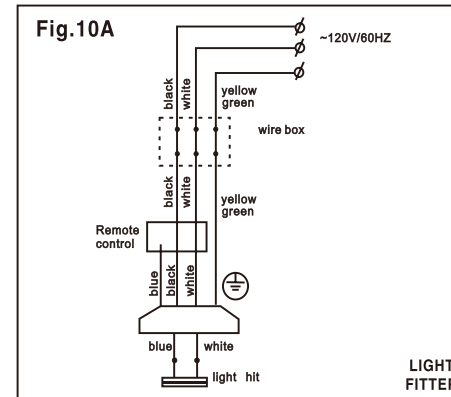


Fig. 4b

4.

ELECTRICAL HOOK-UP

1. Four wires are connected to the top of the fan.
 Black: "Hot" Power for the fan.
 Blue: "Hot" Power for the Light
 White: "Common" For the fan and light
 Green: Ground Wire
2. If fan and light are to be connected to the same circuit, the black and blue wires should be connected together to the black wire in the ceiling using a wire nut to make the connection. If a light kit is not being installed, the blue wire should be left unconnected.
3. The white wire from the fan should be connected to the white wire in the ceiling, using a wire nut to make the connection.
4. The green wire from the fan should be connected to the ground wire in the ceiling, using a wire nut to make the connection.
5. Tuck your completed wiring back up into the electrical box.



WARNING: To avoid possible electrical shock, be sure electricity is turned off at the main fuse box before wiring.

NOTE: If you are not sure the electrical box and fan are grounded, contact a licensed Electrician for advice. They must be grounded for safe operation.

WARNING: Each wire nut (wire connector) supplied with this fan is designed to accept up to one 12 gauge house wire and two wire from the fan. If you have larger than 12 gauge house wiring or more than one house wire to connect to the fan wiring, consult an Electrician for the proper size wire nut to use.

WARNING: Check to see that all connections are tight, and that no bare wire is visible at the wire nuts.