

DISCLAIMER

THIS INFORMATION IS PROVIDED AS A GENERAL GUIDE, INCLUDING DIMENSIONS. IT IS THE CUSTOMER'S RESPONSIBILITIES TO SELECT THE PROPER CONTAINER FOR PRODUCT AND APPLICATION COMPATIBILITY.

DISTRIBUTED BY:

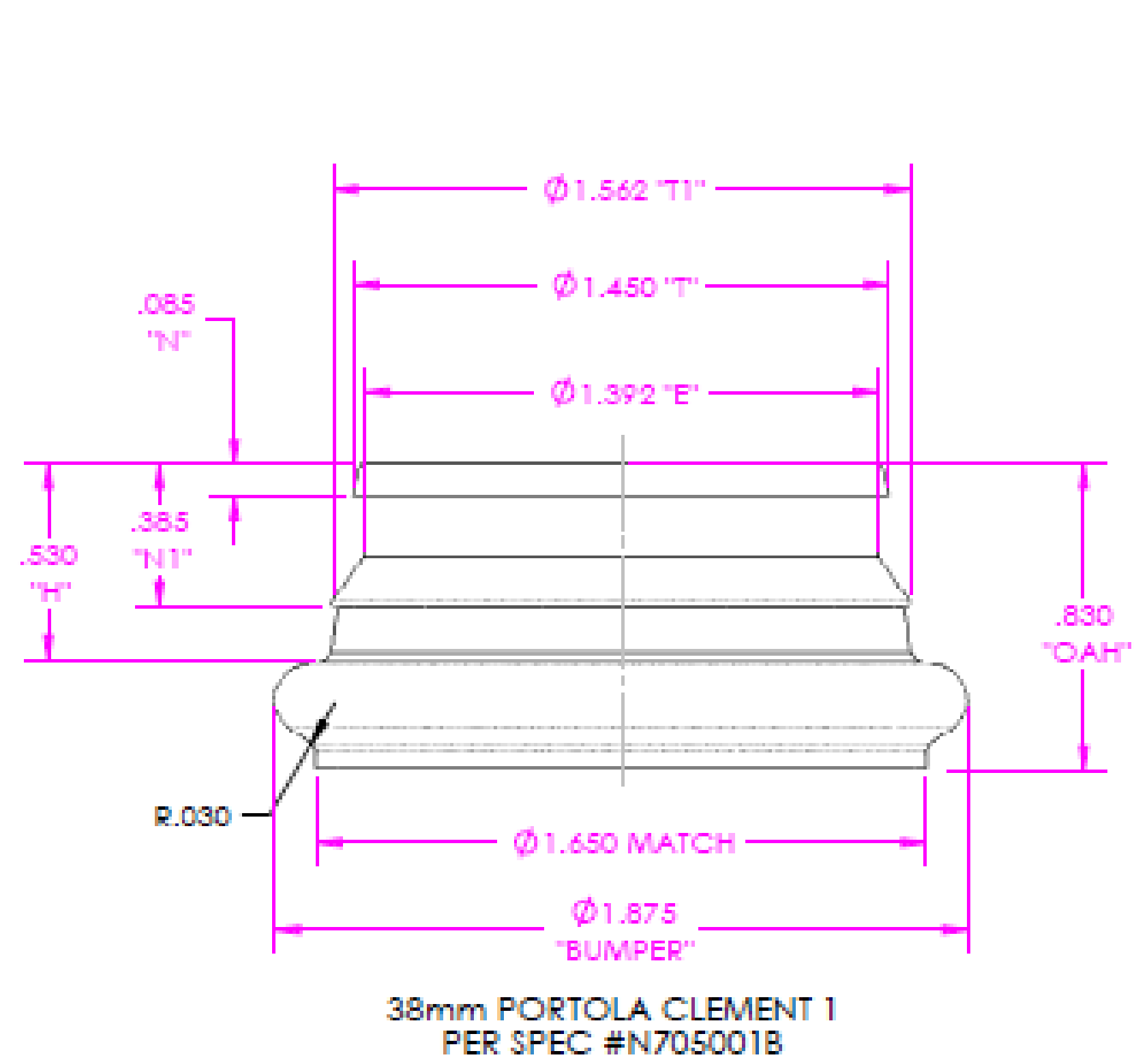


REF NO.:

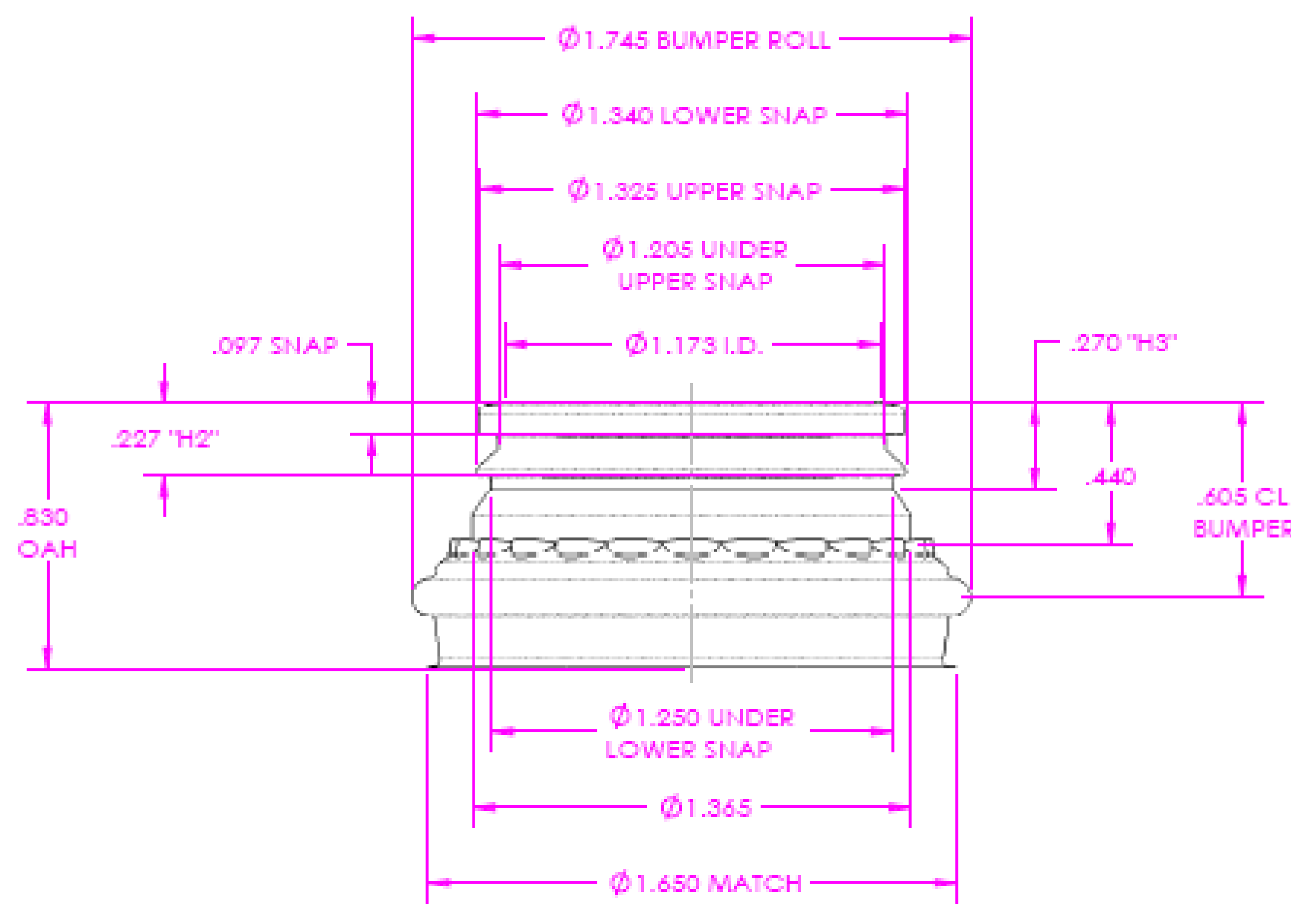
DWG30692

DESCRIPTION:

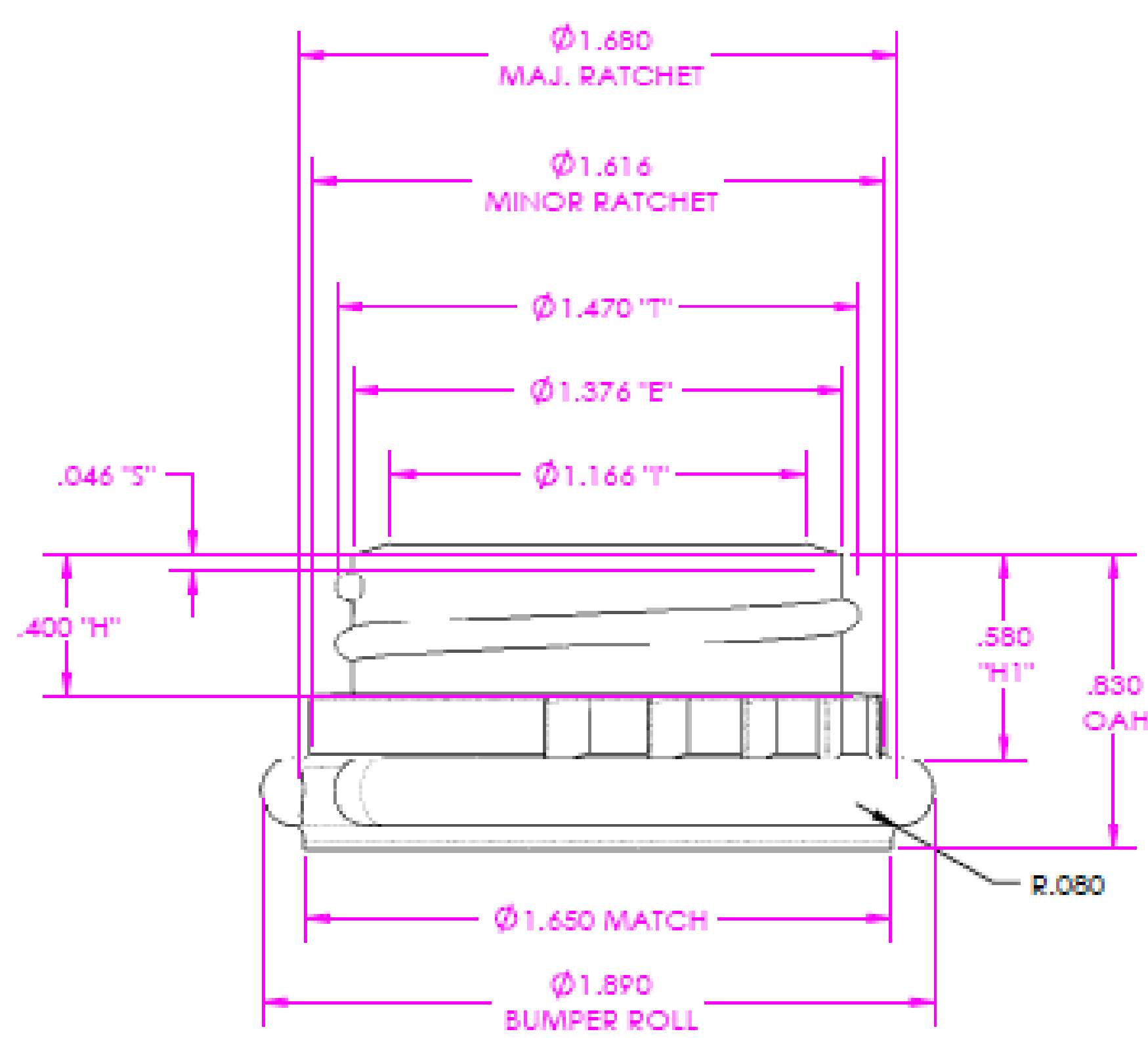
32 oz HDPE Square Dairy, 38-400, 35 Gram



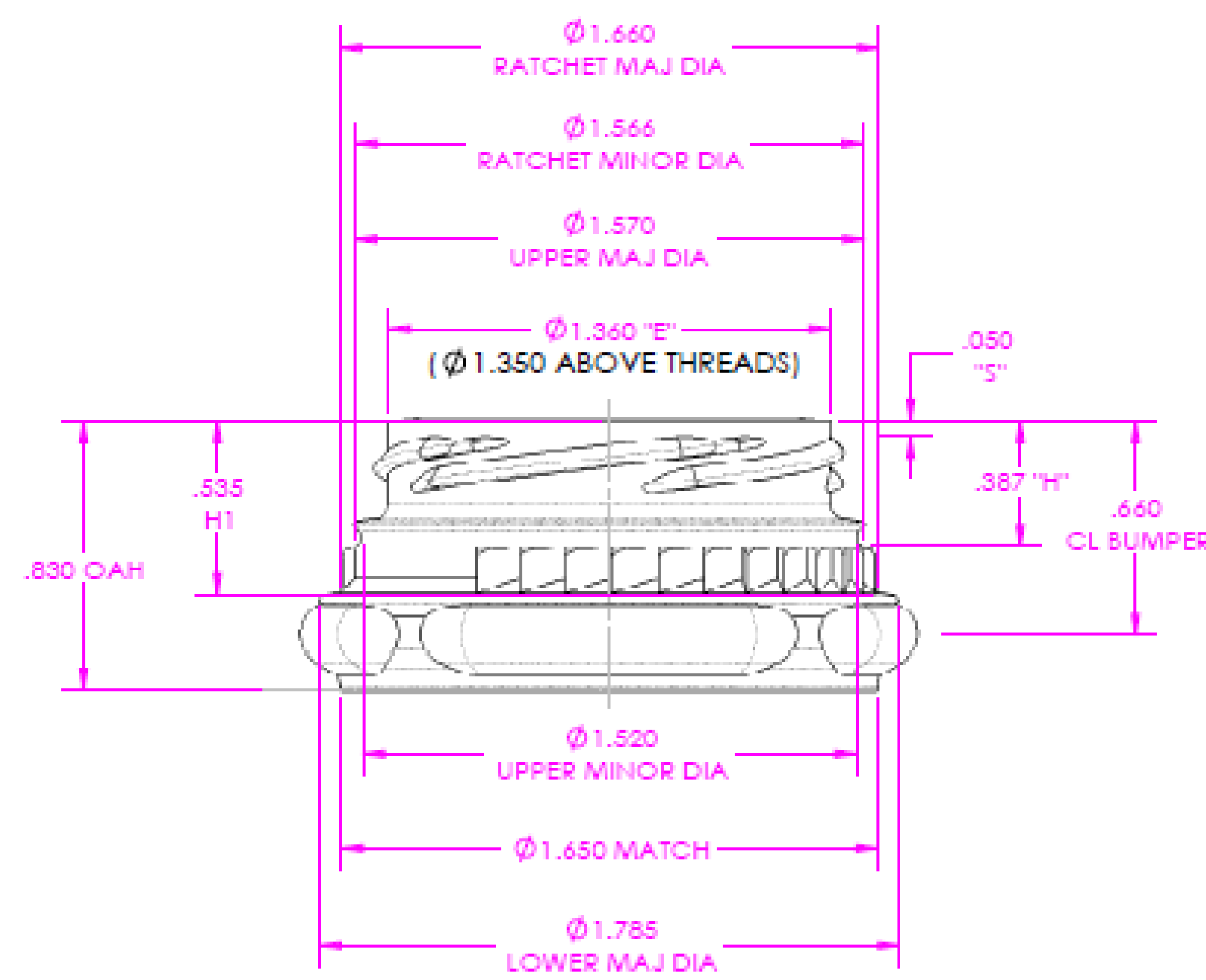
38mm PORTOLA CLEMENT 1
PER SPEC #N705001B



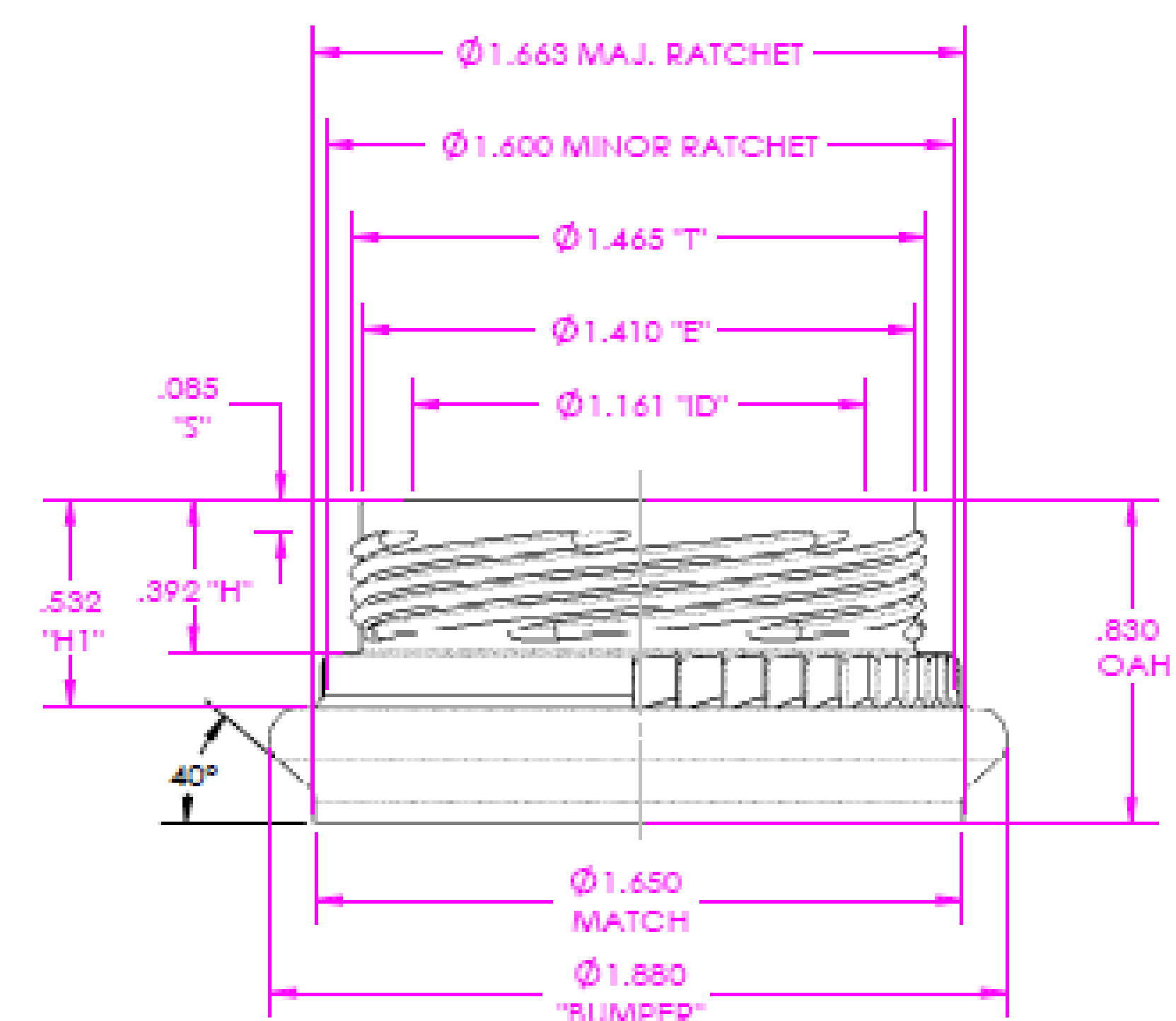
38mm PORTOLA SCII
PER SPEC #N382122D



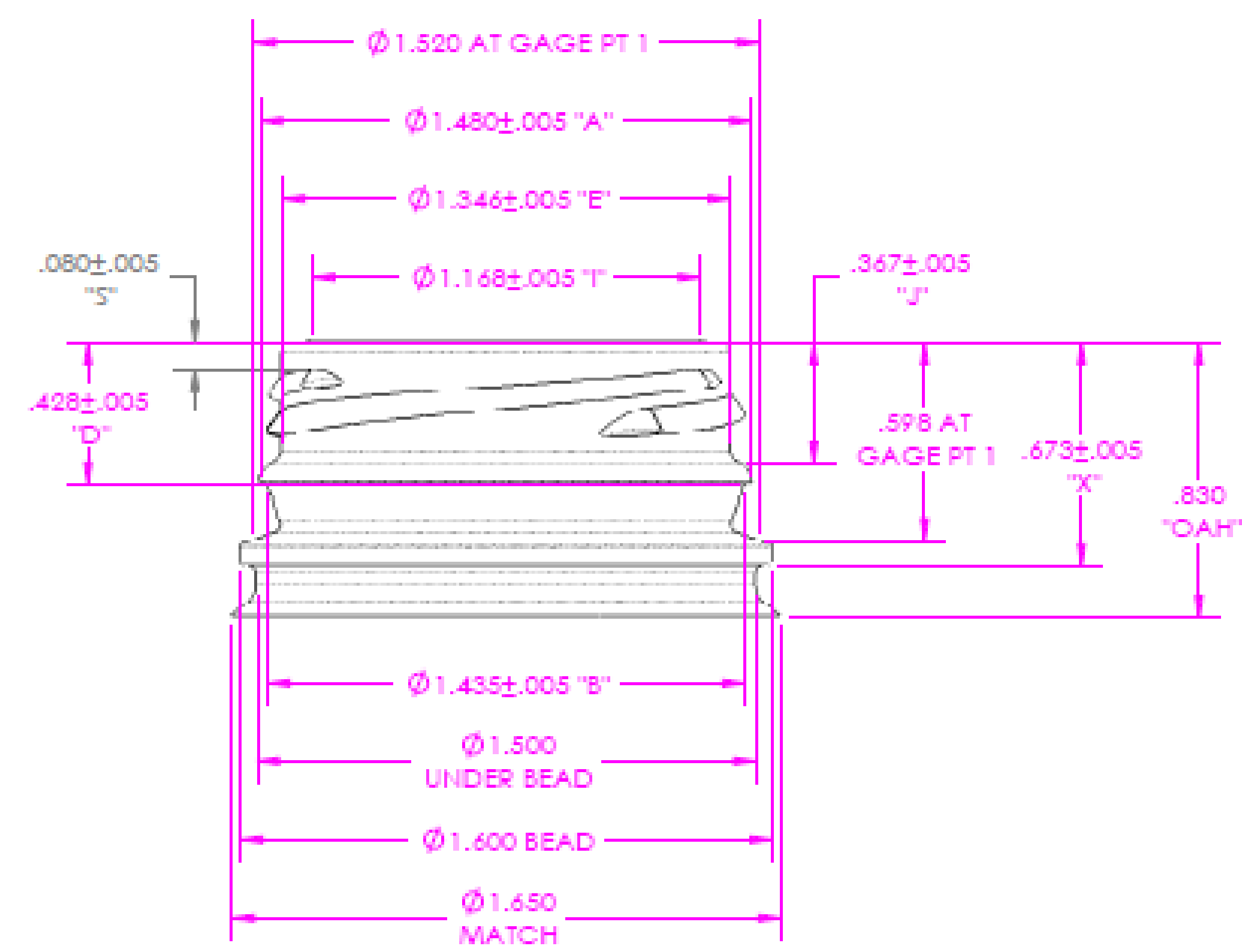
38mm PORTOLA STANDARD SCREW
PER SPEC #701022A



38mm PORTOLA ALPHA 5
PER SPEC #723022H



38mm PORTOLA SNAP SCREW
PER SPEC #N715021D



38mm PORTOLA DBJ
PER SPEC #N358022 Rev.D

DISCLAIMER

THIS INFORMATION IS PROVIDED AS A GENERAL GUIDE, INCLUDING DIMENSIONS. IT IS THE CUSTOMER'S RESPONSIBILITIES TO SELECT THE PROPER CONTAINER FOR PRODUCT AND APPLICATION COMPATIBILITY.

DISTRIBUTED BY:



REF NO.:

DWG30692

DESCRIPTION:

32 oz Natural HDPE Square Dairy, 38-400, 35 Gram