



MANUFACTURED BY:
Backyard Discovery
 3305 Airport Drive, Pittsburg, KS 66762
 800-856-4445

Basepoint Business Centre: Rivermead Drive, Westlea, Swindon SN5 7EX Phone: 0800-118-2476
 J.P. Coenstraat 7, The Bridge, The Hague, 2595 WP, Netherlands Phone: 0800-567-8990

BEAUMONT 10x10 PERGOLA

Model # 1505513D



Please visit www.backyarddiscovery.com

For the most up to date assembly manual, to register your set, or to order replacement parts
Para obtener instrucciones en español, visite www.backyarddiscovery.com



EASY STEP-BY-STEP
3D INTERACTIVE INSTRUCTIONS
 DOWNLOAD THE FREE APP



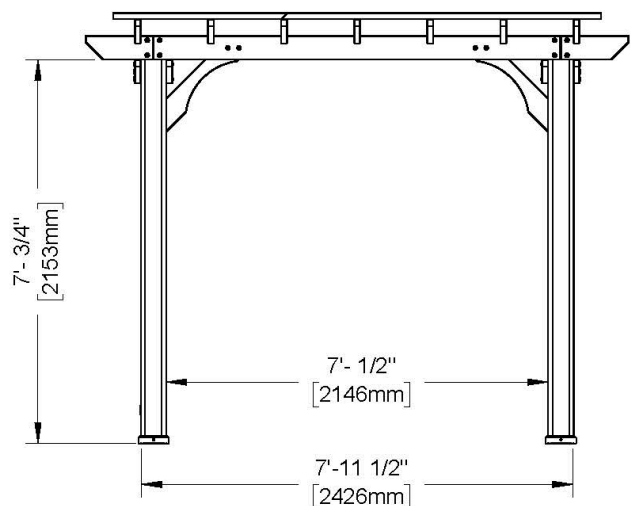
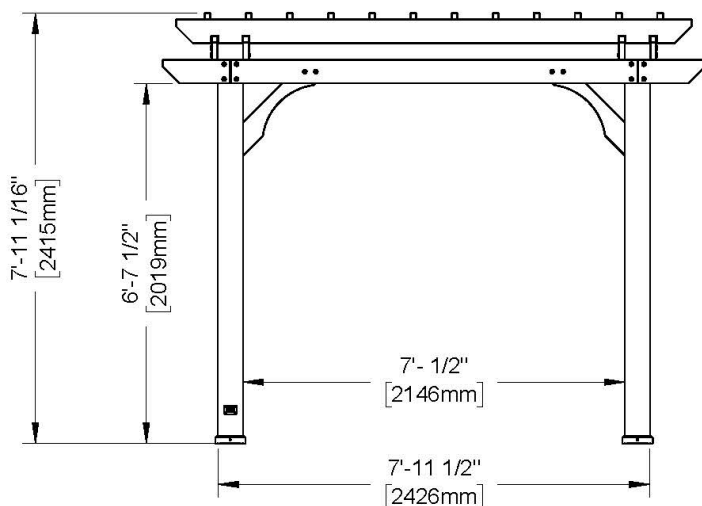
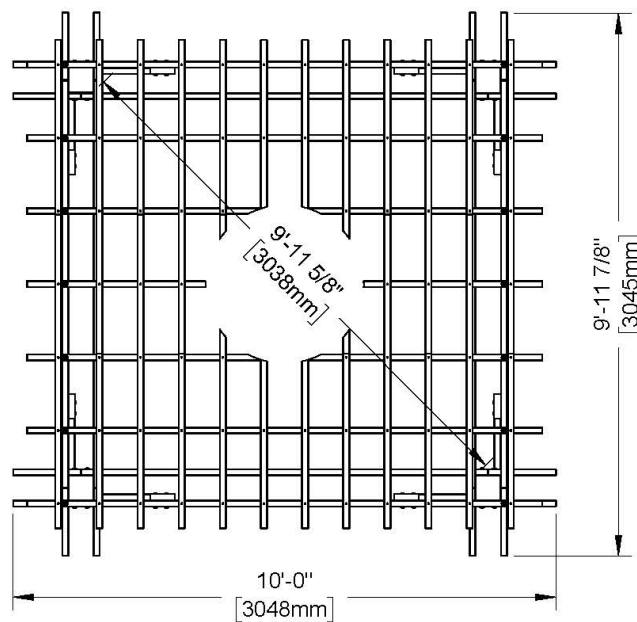
OWNER'S MANUAL - BASIC SETUP DIMENSIONS & ASSEMBLY NOTES

It is critically important that you start with square and level footings or concrete pad to attach your structure

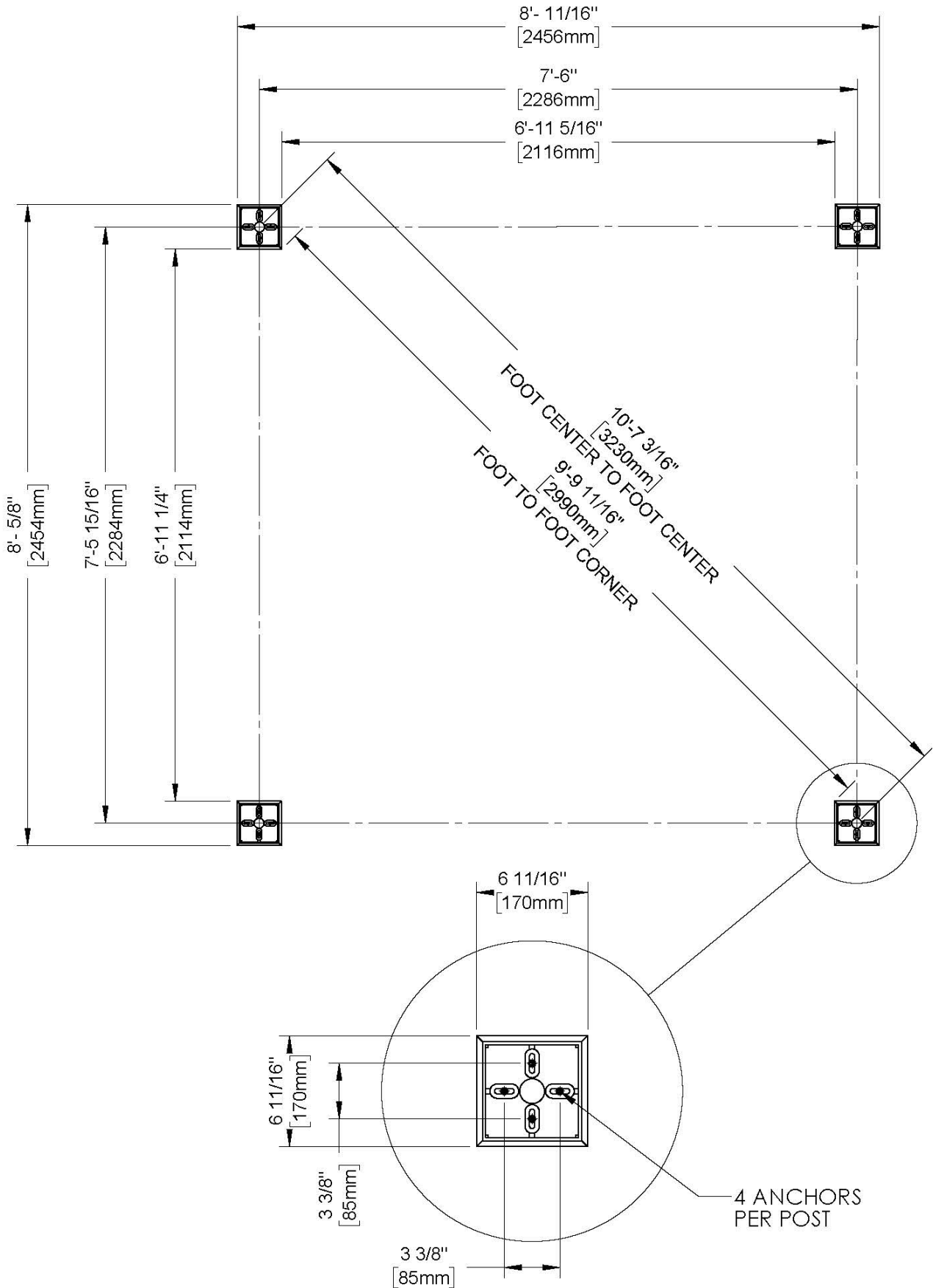
- Pay close attention to the items needed for each step. Make sure you are using the correct hardware for each step. Using incorrect hardware may result in improper assembly
- Remember to double check for underground utilities and overhead electrical lines

Post mounts are provided with your structure which allows you to permanently install your structure to a pre-existing or new wood or concrete surface. See Anchor Instructions for further details and recommendations.

- The hardware to attach the post mounts to the structure is included.
- The hardware to mount the structure permanently to a concrete surface is included.
- The hardware to mount the structure permanently to a wood deck is NOT included and will need to be purchased separately. You must ensure there is ample structural support under the deck before permanently attaching.

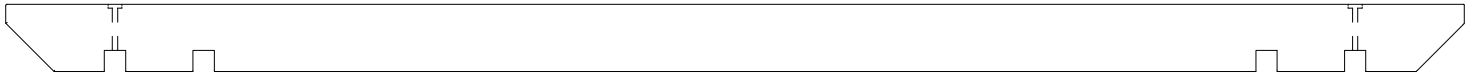


OWNER'S MANUAL - ANCHORING LAYOUT



Owner's Manual - Parts Identification

Wood Components (Not to Scale)



D3 SLOTTED JOIST - W4L21786
(x7) 1 3/8"x5 1/4"x114" (36x134x2896)



D4 JOIST - W4L21787
(x2) 1 3/8"x5 1/4"x90" (36x134x2286)



D5 JOIST - W4L21788
(x4) 1 3/8"x5 1/4"x90" (36x134x2286)



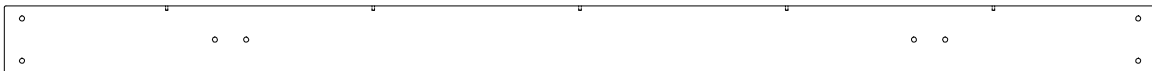
D6 JOIST END - W4L21789
(x12) 1 3/8"x5 1/4"x15" (36x134x381)



D7 JOIST END - W4L21790
(x4) 1 3/8"x5 1/4"x15" (36x134x381)



D9 SHORT ANGLE BRACE - W4L21791
(x8) 1 3/8"x5 1/4"x26 7/8" (36x134x683)



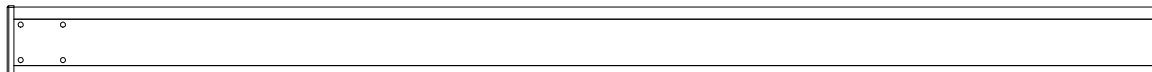
D10 JOIST - W4L21792
(x2) 1 3/8"x5 1/4"x90" (36x134x2286)



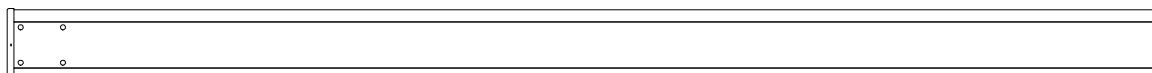
P1 LONG PURLIN - W4L21793
(x12) 1 3/8"x1 3/8"x70 3/4" (36x36x1798)



P2 SHORT PURLIN - W4L21794
(x12) 1 3/8"x1 3/8"x38 5/8" (36x36x981)



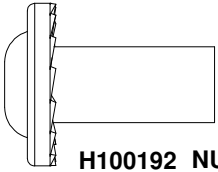
WP1 PERGOLA POST - W2A04750
(x2) 5 1/2"x5 1/2"x89 1/2" (140x140x2273)



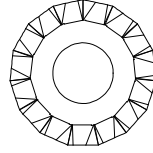
WP2 PERGOLA POST - W2A04751
(x2) 5 1/2"x5 1/2"x89 1/2" (140x140x2273)

Owner's Manual - Parts Identification

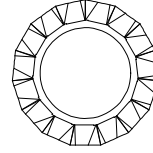
Hardware Components



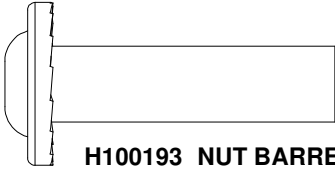
**H100192 NUT BARREL WH
(x16) BLK
5/16x7/8**



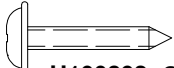
**H100198 WASHER LOCK
(x62) EXT BLK
8x19**



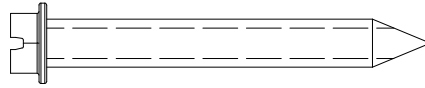
**H100199 WASHER LOCK
(x48) EXT BLK
12x19**



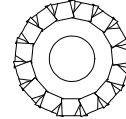
**H100193 NUT BARREL WH
(x32) BLK
5/16x1-1/2**



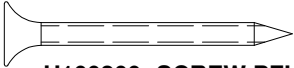
**H100392 SCREW PWH BLK
(x4) 8x3/4**



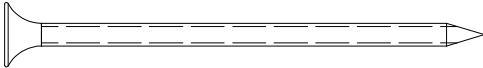
**H100120 SCREW
(x16) CONCRETE
ANCHOR
1/4x2**



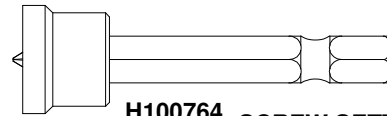
**H100405 WASHER LOCK
(x8) EXT BLK
6x15**



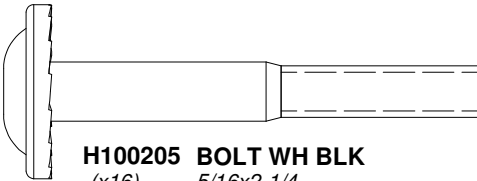
**H100200 SCREW PFH BLK
(x16) 8x1 1/2**



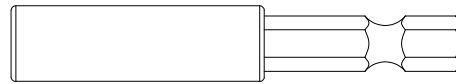
**H100201 SCREW PFH BLK
(x84) 8x2-1/2**



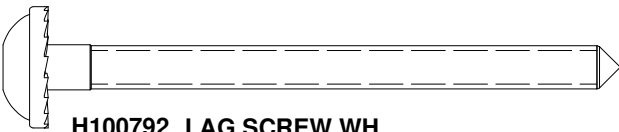
**H100764 SCREW SETTER
(x1)**



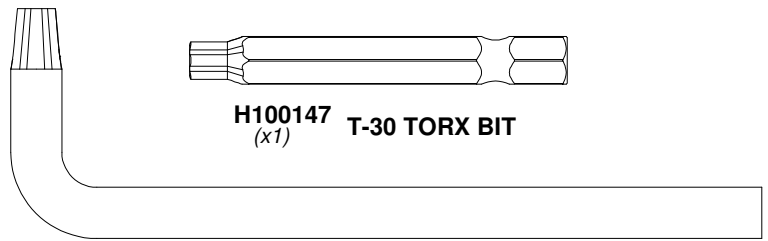
**H100205 BOLT WH BLK
(x16) 5/16x2-1/4**



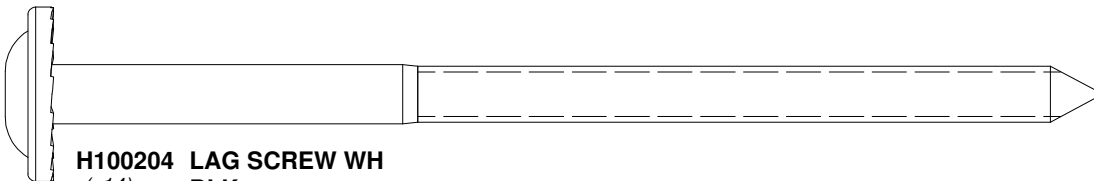
**H101100 MAGNETIC DRIVER
(x1)**



**H100792 LAG SCREW WH
(x8) BLK
1/4x3**

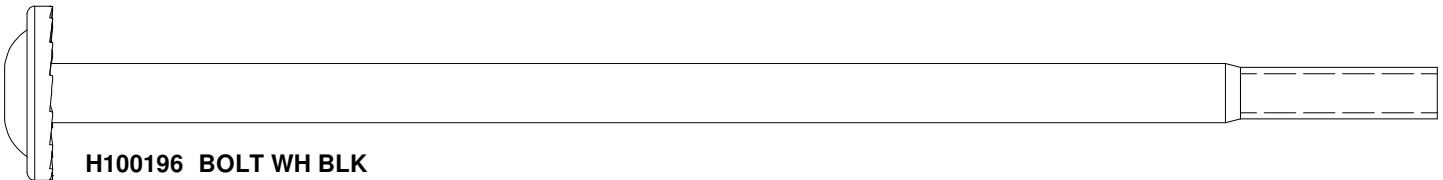


**H100147 T-30 TORX BIT
(x1)**



**H100204 LAG SCREW WH
(x14) BLK
5/16x5 1/2**

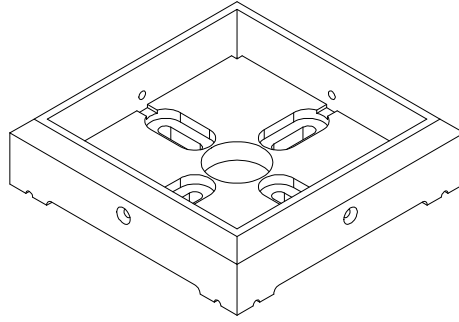
**H100114 T-30 TORX WRENCH
(x1)**



**H100196 BOLT WH BLK
(x32) 5/16x7-1/4**

Owner's Manual - Parts Identification

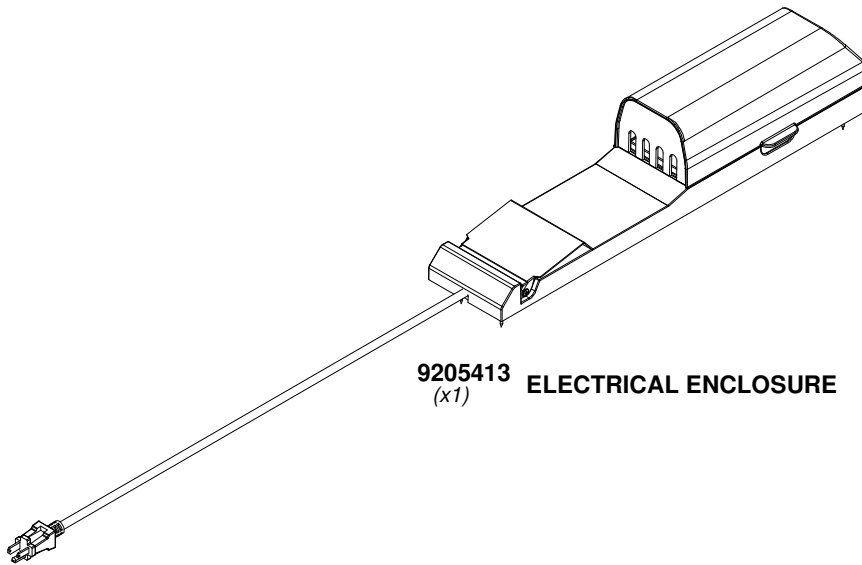
Accessory Components (Not to Scale)



A100029
(x4) FOOT 142 SQUARE POST



A4M02158
(x1) BYD ID TAG



9205413
(x1) ELECTRICAL ENCLOSURE

PRE-ASSEMBLY STEP 1 - SORTING PARTS

It is critical for ease of assembly that you take the time to sort and organize the wood and hardware.

WOOD PARTS:

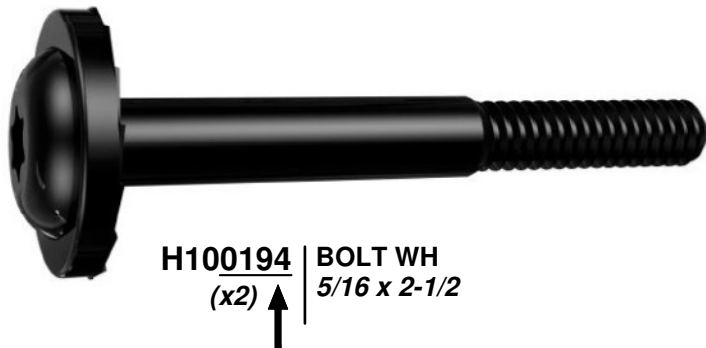
- Organize wood parts by the three-digit, alpha-numeric number stamped on each board (ex. P01).
- If there are multiple boards with the same stamped number, stack those pieces together.
- Stamps can be found on the flat surface of the boards or on the end of the boards.
- Allow yourself plenty of room - the wood pieces can take up a significant amount of space.

NOTE: CARTONS ARE NOT ORGANIZED BY BOARD NUMBER.



HARDWARE PARTS:

- We recommend that you have a separate table to organize the hardware.
- Hardware bags are printed with a seven-digit, alpha-numeric part number.
- You can organize your hardware by part number or group by hardware type (i.e. bolts, nuts, etc.).
- During assembly you only need to reference the last four digits of the number.



PRE-ASSEMBLY STEP 2 - TOOLS REQUIRED



**Cordless Drill or
Electric Drill**



**Drill Attachments:
Phillips Head**



**1/8", 3/16", 3/8" & 7/16"
Drill Bits**



Phillips Screw Driver



Open End Wrenches 1/2" & 9/16"



**3/8" Drive Ratchet, 1/2" &
9/16" STD Sockets 1/2" & 9/16" Deep
Sockets**



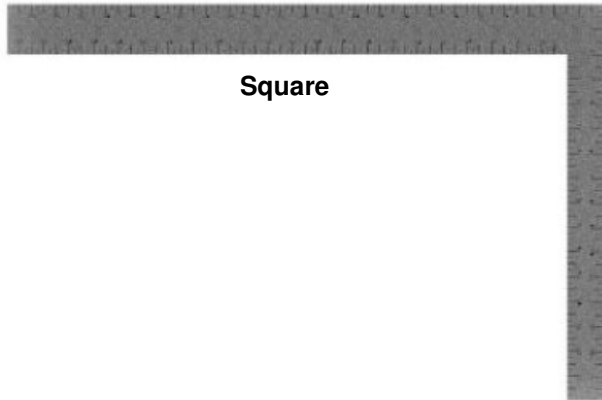
Claw Hammer



Rubber Mallet - Optional



Tape Measure



Square





Level 24"

PRE-ASSEMBLY STEP 3 - CHOOSE YOUR ASSEMBLY METHOD

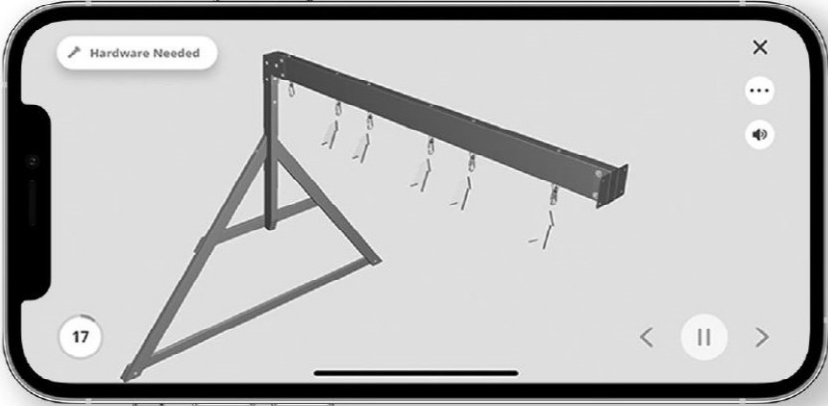


There are several types of assembly instructions available to you.

1. Printed Assembly Manual included with your set
2. BILT APP - 3D interactive instructions
3. Combination of the Printed Manual and BILT APP (Note: Step numbers can differ between the two methods)



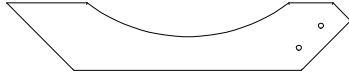
Scan for easy 3D instructions

Download the BILT app
before you begin



The image shows a smartphone screen displaying the BILT app interface. The screen features a 3D assembly diagram of a metal frame with a horizontal beam and several hanging components. The interface includes a 'Hardware Needed' button at the top left, a close button (X) at the top right, a menu button (three dots) and a volume icon below it, and a page number '17' in a circle at the bottom left. At the bottom center, there are navigation arrows and a pause button.

STEP 1 - PERGOLA ASSEMBLY



D9 SHORT ANGLE BRACE - W4L21791
 (4) 1 3/8"x5 1/4"x26 7/8" (36x134x683)

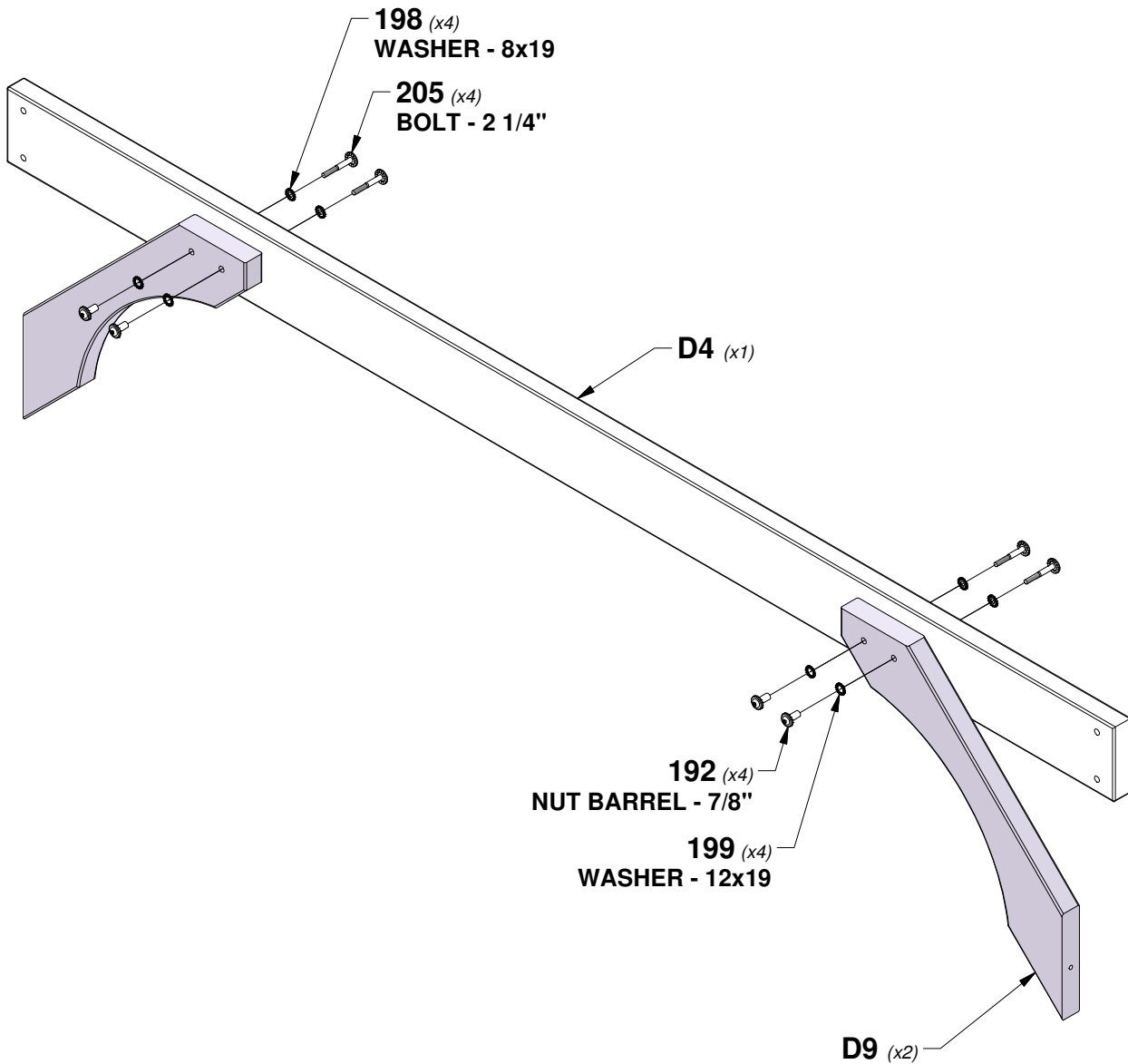
QTY	PART NUMBER	DESCRIPTION
8	H100192	NUT BARREL WH 5/16x7/8 BLK
8	H100198	WASHER LOCK EXT 8x19 BLK
8	H100199	WASHER LOCK EXT 12x19 BLK
8	H100205	BOLT WH 5/16x2-1/4 BLK



D4 JOIST - W4L21787
 (2) 1 3/8"x5 1/4"x90" (36x134x2286)

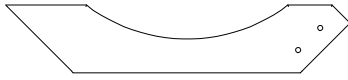
REPEAT PROCESS FOR OPPOSITE SIDE.

*****HAND TIGHTEN ONLY AT THIS TIME.*****



STEP 2 - PERGOLA ASSEMBLY

QTY	PART NUMBER	DESCRIPTION
8	H100192	NUT BARREL WH 5/16x7/8 BLK
8	H100198	WASHER LOCK EXT 8x19 BLK
8	H100199	WASHER LOCK EXT 12x19 BLK
8	H100205	BOLT WH 5/16x2-1/4 BLK



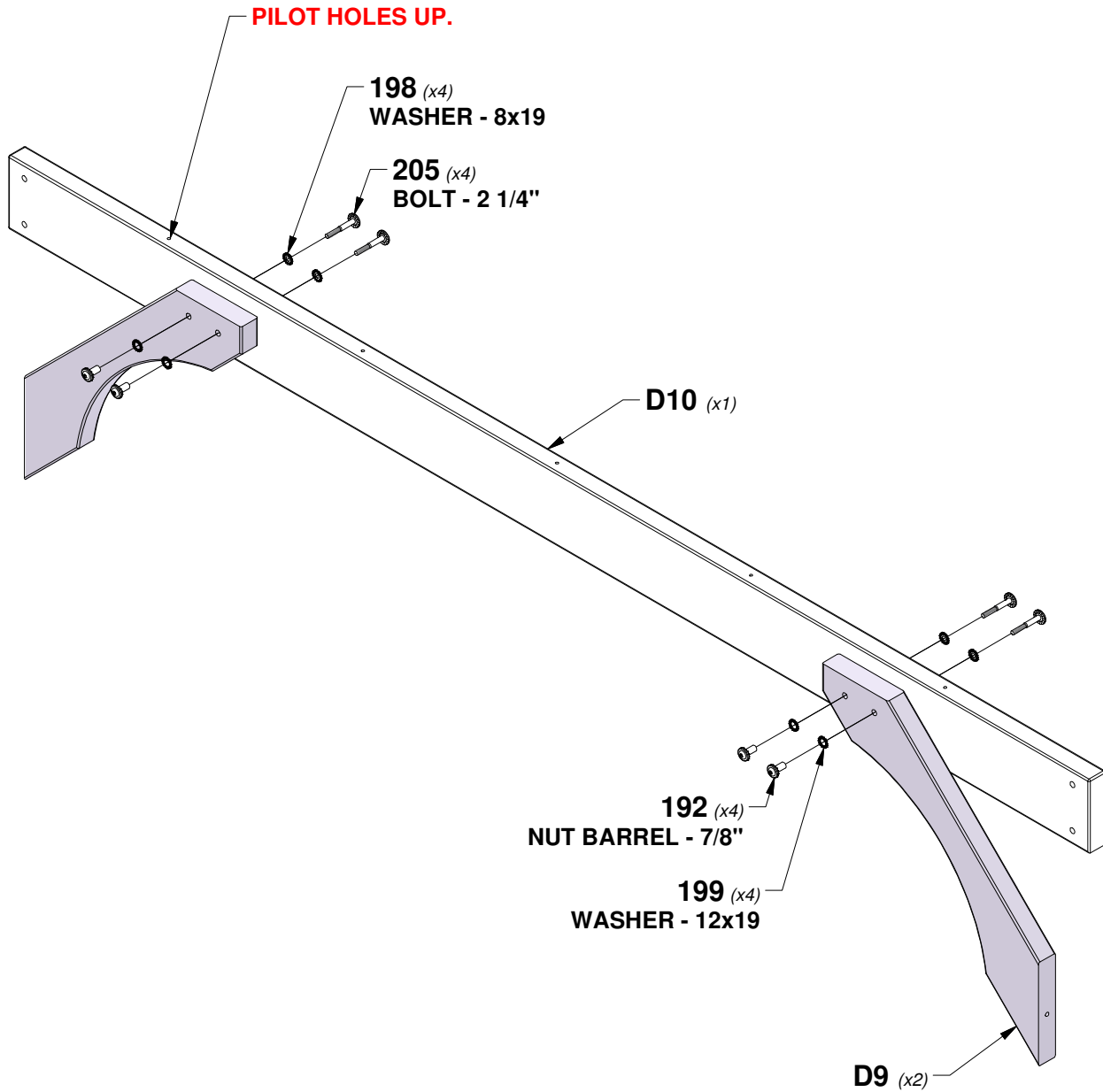
D9 SHORT ANGLE BRACE - W4L21791
 (4) 1 3/8"x5 1/4"x26 7/8" (36x134x683)

PILOT HOLES UP.

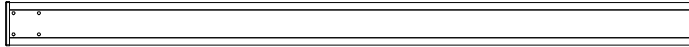


D10 JOIST - W4L21792
 (2) 1 3/8"x5 1/4"x90" (36x134x2286)

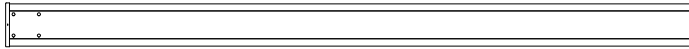
REPEAT PROCESS FOR OPPOSITE SIDE.



STEP 3 - PERGOLA ASSEMBLY



WP1 PERGOLA POST - W2A04750
(x2) 5 1/2"x5 1/2"x89 1/2" (140x140x2273)



WP2 PERGOLA POST - W2A04751
(x2) 5 1/2"x5 1/2"x89 1/2" (140x140x2273)



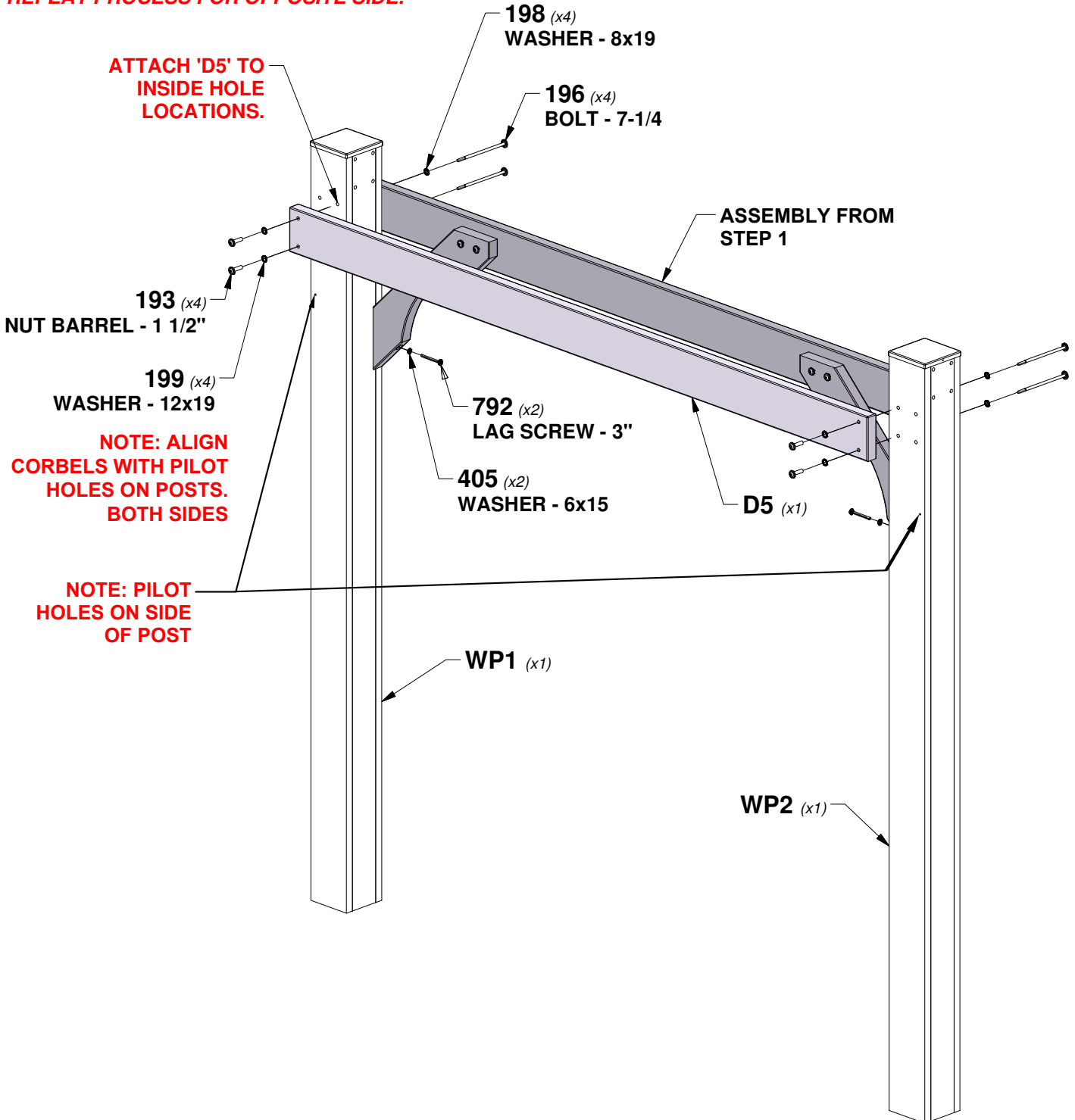
(x2) **90" JOIST - SUPPORT ASSEMBLY**

QTY	PART NUMBER	DESCRIPTION
8	H100193	NUT BARREL WH 5/16x1-1/2 BLK
8	H100196	BOLT WH 5/16x7-1/4 BLK
8	H100198	WASHER LOCK EXT 8x19 BLK
8	H100199	WASHER LOCK EXT 12x19 BLK
4	H100405	WASHER LOCK EXT 6x15 BLK
4	H100792	LAG SCREW WH 1/4x3 BLK



D5 JOIST - W4L21788
(2) 1 3/8"x5 1/4"x90" (36x134x2286)

REPEAT PROCESS FOR OPPOSITE SIDE.



STEP 4 - PERGOLA ASSEMBLY

QTY	PART NUMBER	DESCRIPTION
8	H100193	NUT BARREL WH 5/16x1-1/2 BLK
8	H100196	BOLT WH 5/16x7-1/4 BLK
8	H100198	WASHER LOCK EXT 8x19 BLK
8	H100199	WASHER LOCK EXT 12x19 BLK
4	H100405	WASHER LOCK EXT 6x15 BLK
4	H100792	LAG SCREW WH 1/4x3 BLK



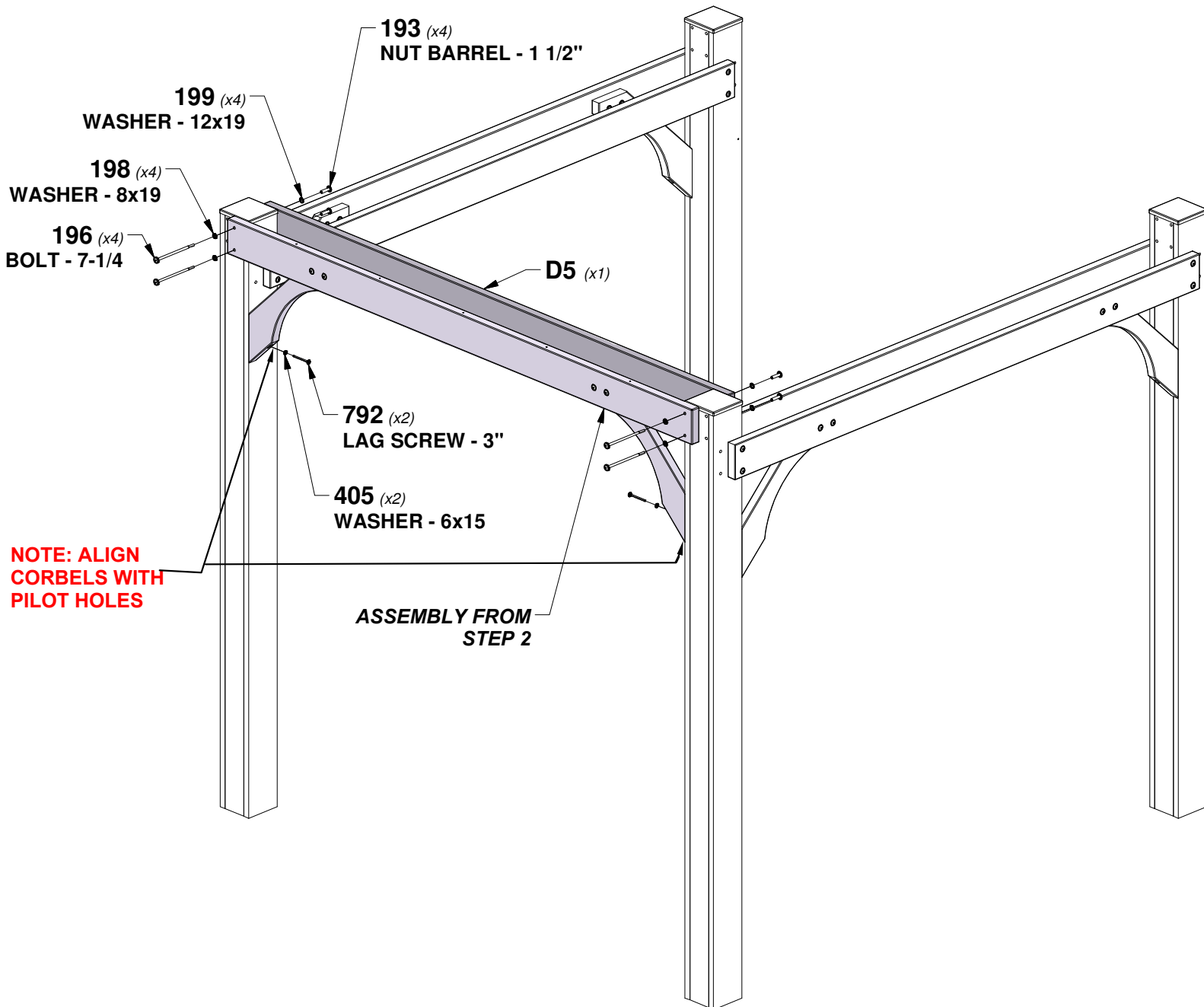
D5 JOIST - W4L21788

(2) 1 3/8"x5 1/4"x90" (36x134x2286)



(x2) **90" JOIST - SUPPORT ASSEMBLY**

REPEAT PROCESS FOR OPPOSITE SIDE.

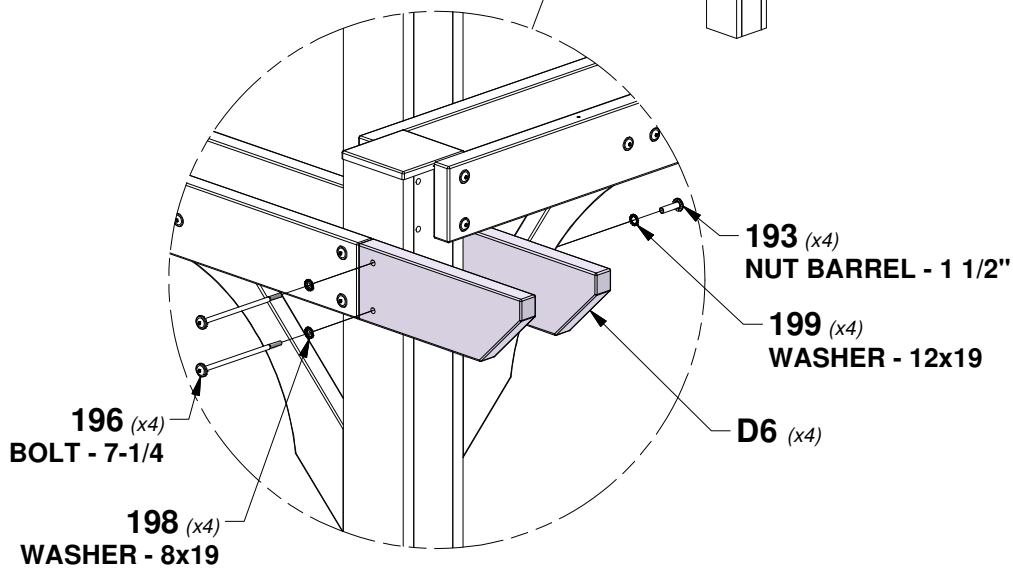
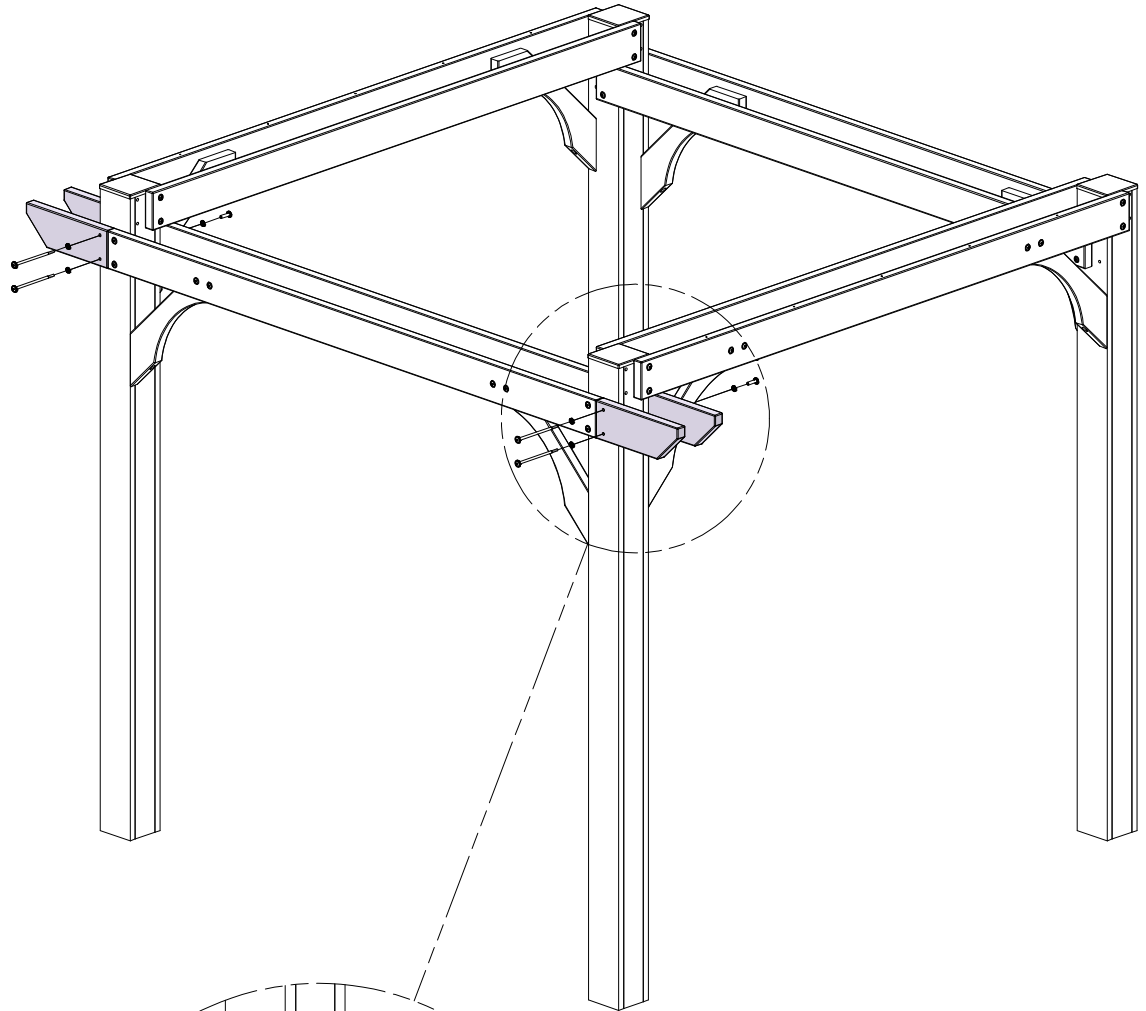


STEP 5 - PERGOLA ASSEMBLY



D6 JOIST END - W4L21789
 (4) 1 3/8"x5 1/4"x15" (36x134x381)

QTY	PART NUMBER	DESCRIPTION
4	H100193	NUT BARREL WH 5/16x1-1/2 BLK
4	H100196	BOLT WH 5/16x7-1/4 BLK
4	H100198	WASHER LOCK EXT 8x19 BLK
4	H100199	WASHER LOCK EXT 12x19 BLK



STEP 6 - PERGOLA ASSEMBLY

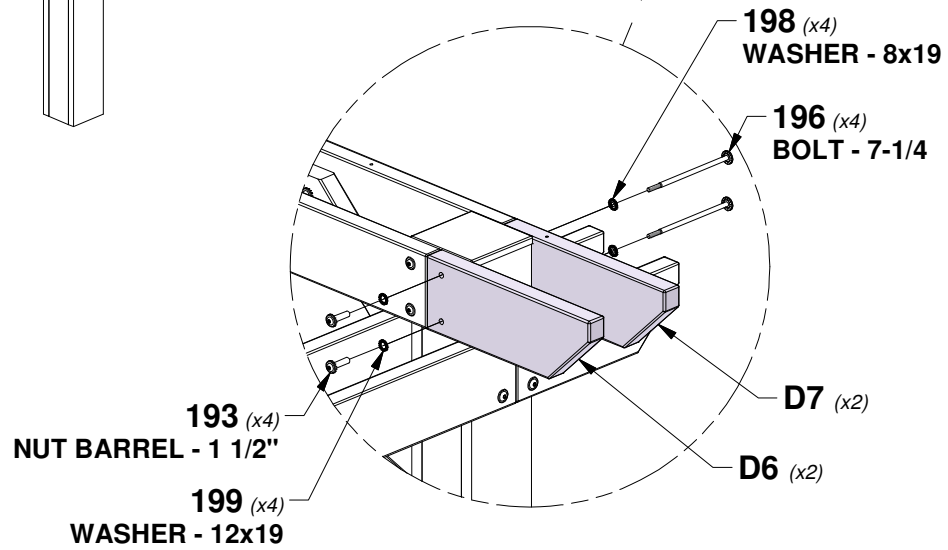
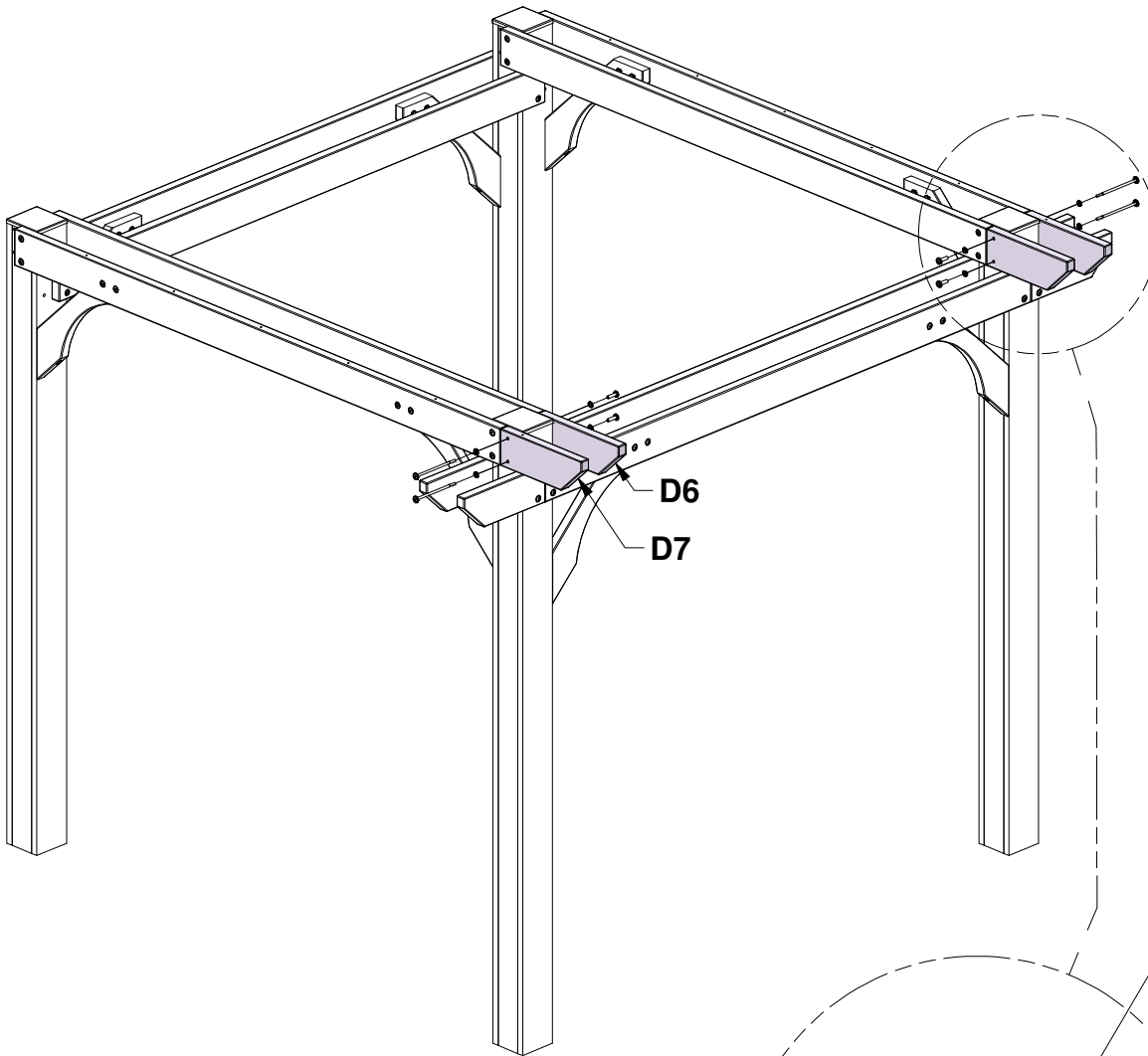


D6 JOIST END - W4L21789
 (2) 1 3/8"x5 1/4"x15" (36x134x381)

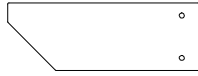


D7 JOIST END - W4L21790
 (2) 1 3/8"x5 1/4"x15" (36x134x381)

QTY	PART NUMBER	DESCRIPTION
4	H100193	NUT BARREL WH 5/16x1-1/2 BLK
4	H100196	BOLT WH 5/16x7-1/4 BLK
4	H100198	WASHER LOCK EXT 8x19 BLK
4	H100199	WASHER LOCK EXT 12x19 BLK

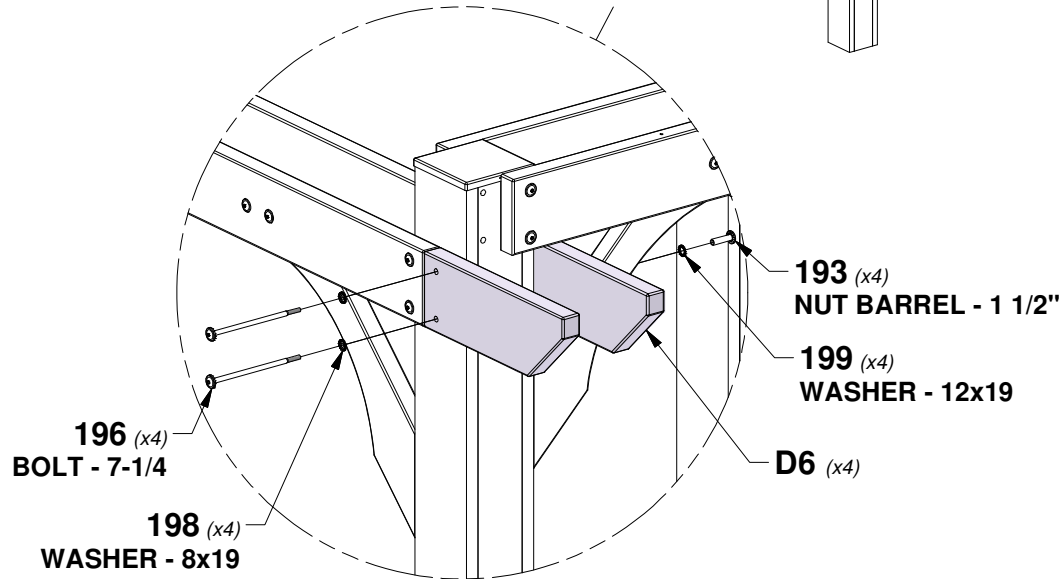
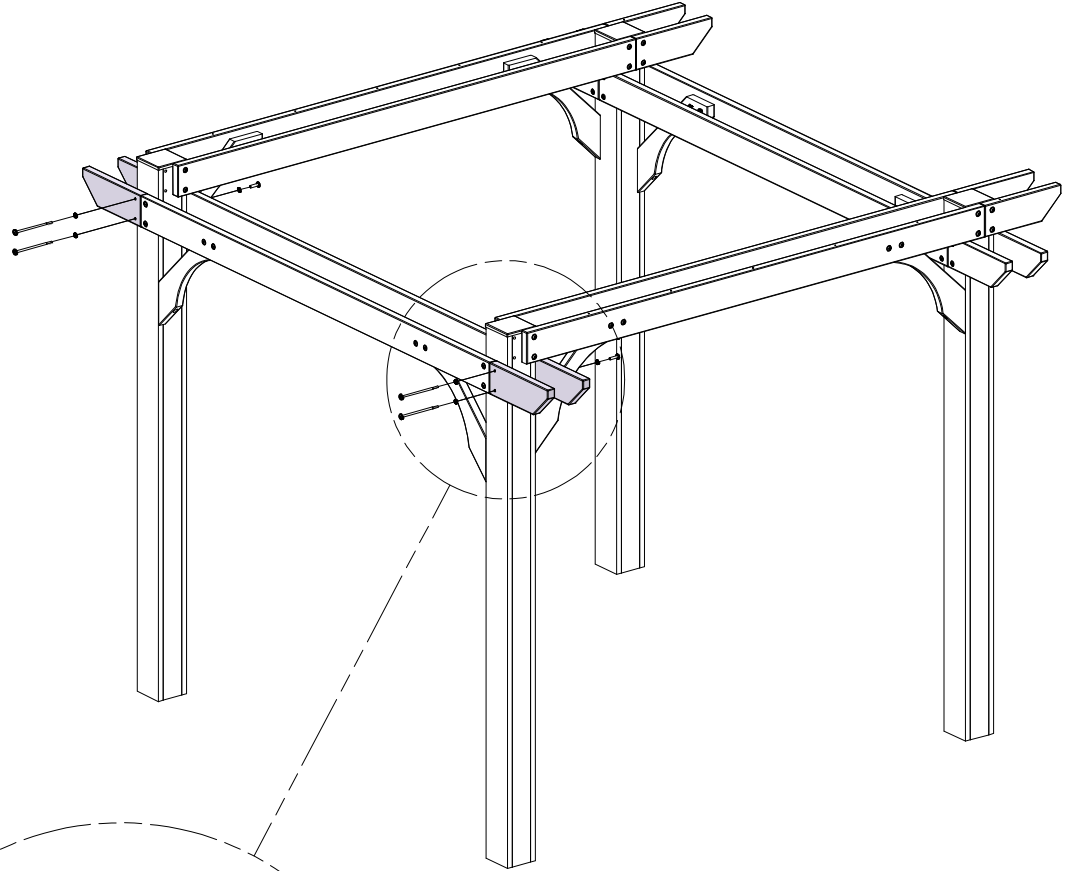


STEP 7 - PERGOLA ASSEMBLY



D6 JOIST END - W4L21789
 (4) 1 3/8"x5 1/4"x15" (36x134x381)

QTY	PART NUMBER	DESCRIPTION
4	H100193	NUT BARREL WH 5/16x1-1/2 BLK
4	H100196	BOLT WH 5/16x7-1/4 BLK
4	H100198	WASHER LOCK EXT 8x19 BLK
4	H100199	WASHER LOCK EXT 12x19 BLK



STEP 8 - PERGOLA ASSEMBLY

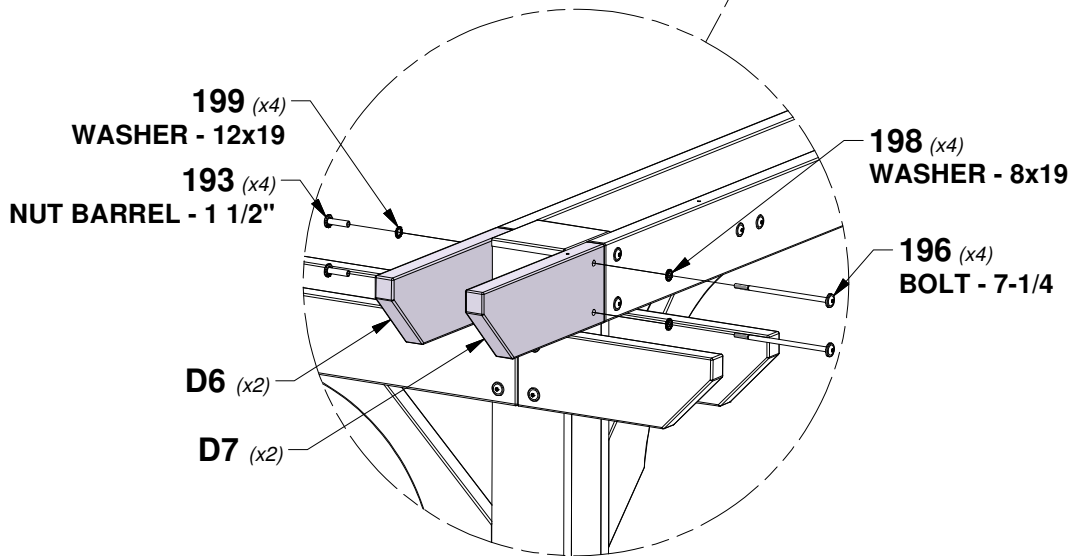
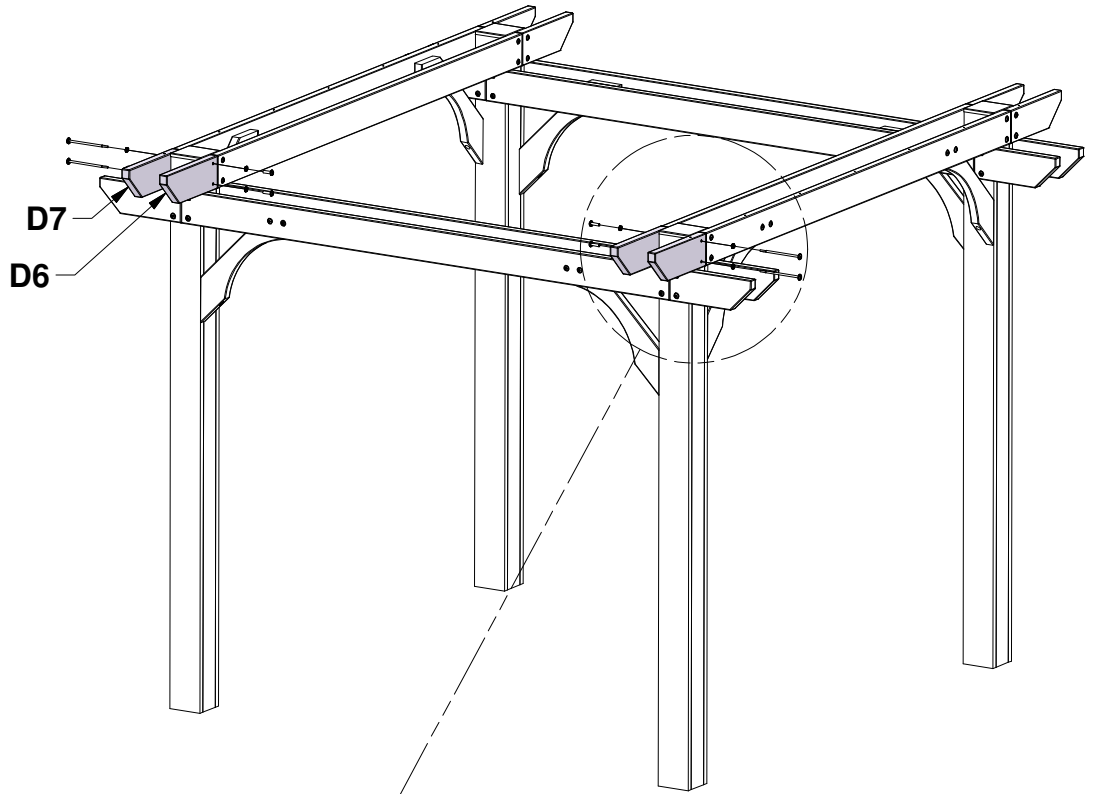
QTY	PART NUMBER	DESCRIPTION
4	H100193	NUT BARREL WH 5/16x1-1/2 BLK
4	H100196	BOLT WH 5/16x7-1/4 BLK
4	H100198	WASHER LOCK EXT 8x19 BLK
4	H100199	WASHER LOCK EXT 12x19 BLK



D6 JOIST END - W4L21789
(2) 1 3/8"x5 1/4"x15" (36x134x381)

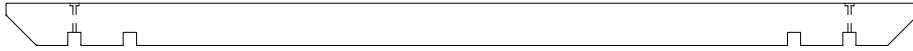


D7 JOIST END - W4L21790
(2) 1 3/8"x5 1/4"x15" (36x134x381)



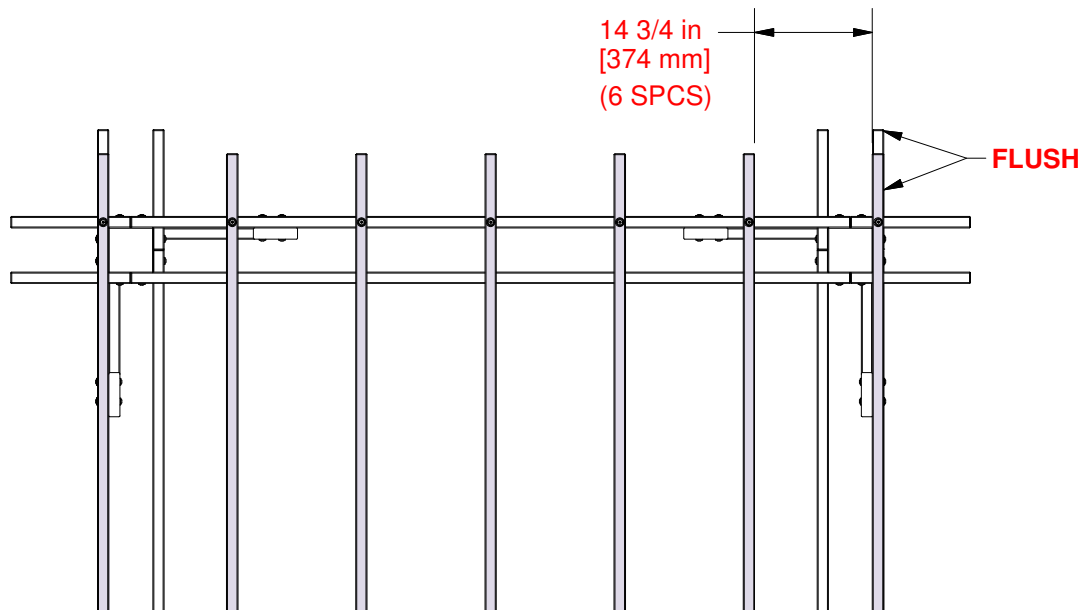
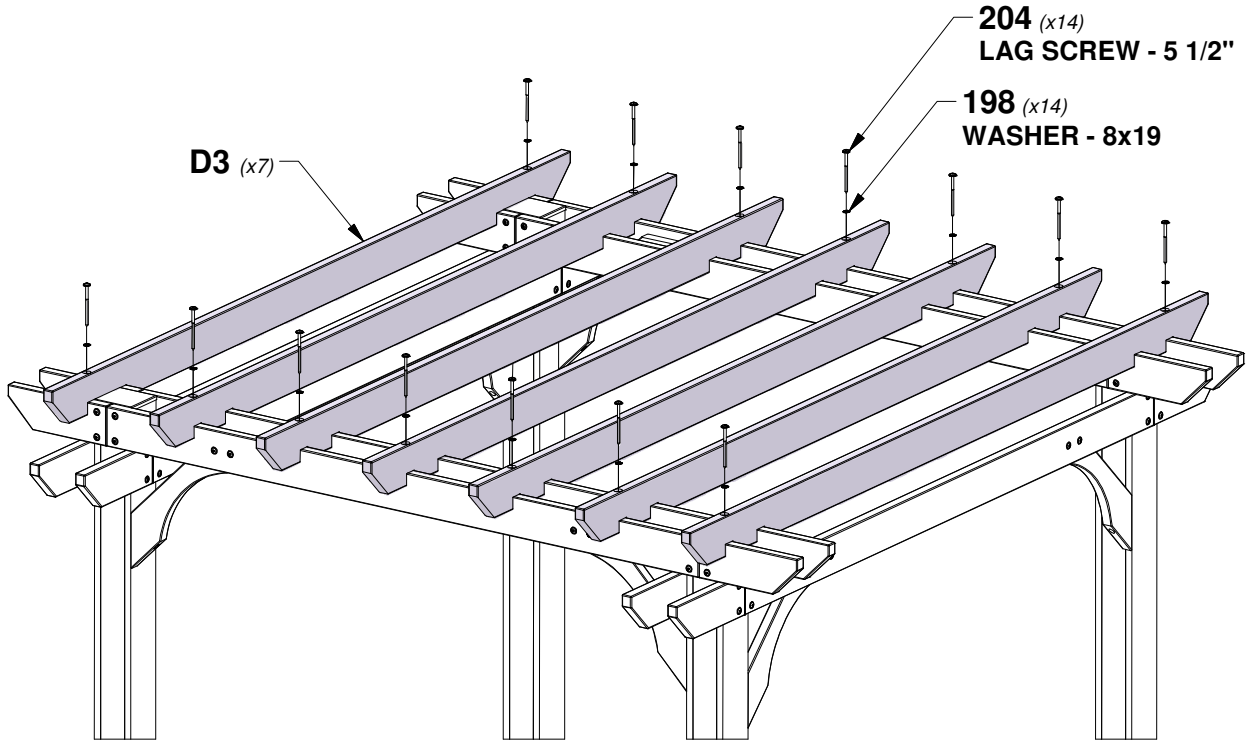
STEP 9 - PERGOLA ASSEMBLY

QTY	PART NUMBER	DESCRIPTION
14	H100198	WASHER LOCK EXT 8x19 BLK
14	H100204	LAG SCREW WH 5/16x5-1/2 BLK



D3 SLOTTED JOIST - W4L21786
 (7) 1 3/8"x5 1/4"x114" (36x134x2896)

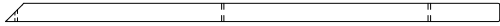
ALIGN COUNTER BORED HOLES IN SLOTTED JOISTS WITH PRE-DRILLED HOLES IN BOTTOM JOISTS AND ENDS.



JOIST SPACING

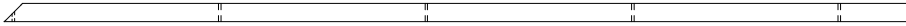
STEP 10 - PERGOLA ASSEMBLY

QTY	PART NUMBER	DESCRIPTION
7	H100201	SCREW PFH 8x2-1/2 BLK



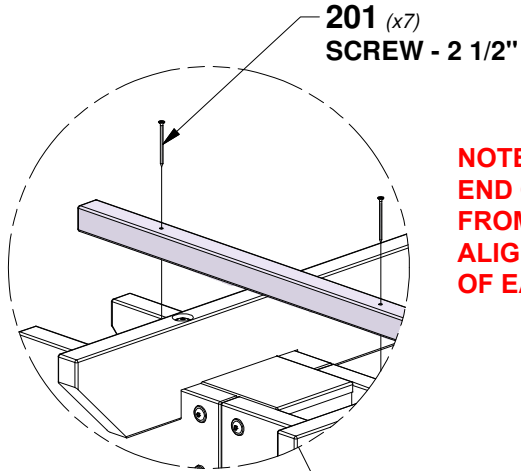
P2 SHORT PURLIN - W4L21794

(1) 1 3/8"x1 3/8"x38 5/8" (36x36x981)

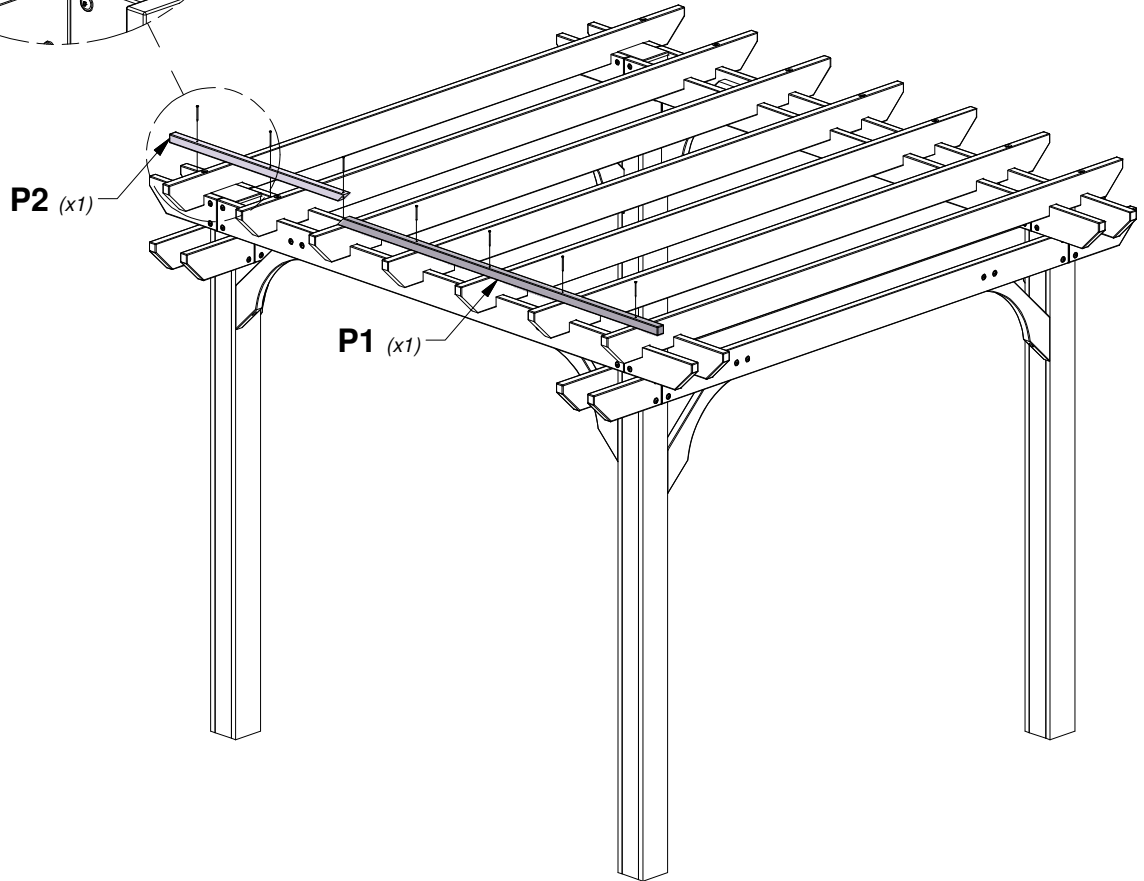


P1 LONG PURLIN - W4L21793

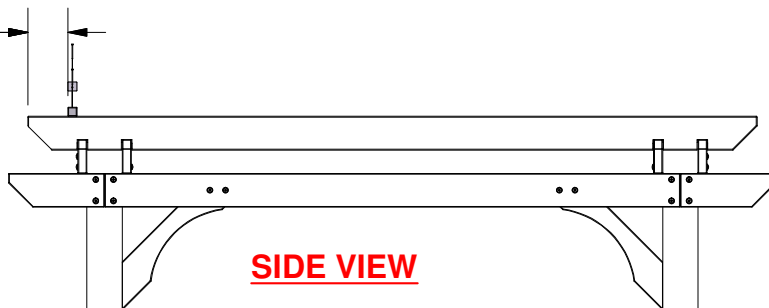
(1) 1 3/8"x1 3/8"x70 3/4" (36x36x1798)



**NOTE:
END OF PURLIN IS 4 3/4" [122 mm]
FROM EDGE OF D3 SLOTTED JOIST.
ALIGN HOLES IN PURLIN TO CENTER
OF EACH JOIST.**



**6 1/4 in
[159 mm]**



STEP 11 - PERGOLA ASSEMBLY

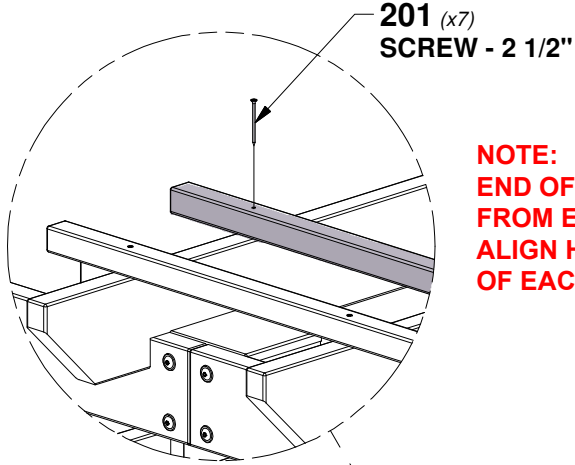
QTY	PART NUMBER	DESCRIPTION
7	H100201	SCREW PFH 8x2-1/2 BLK

P2 SHORT PURLIN - W4L21794

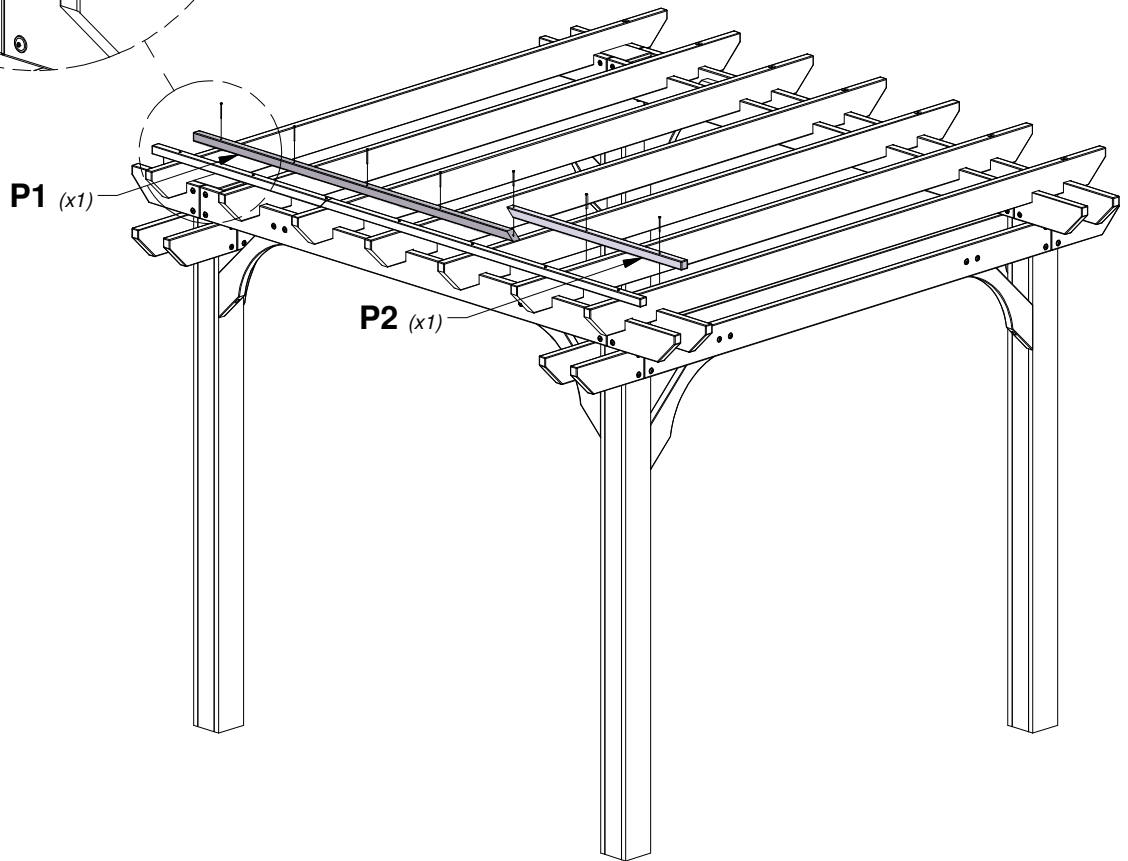
(1) 1 3/8"x1 3/8"x38 5/8" (36x36x981)

P1 LONG PURLIN - W4L21793

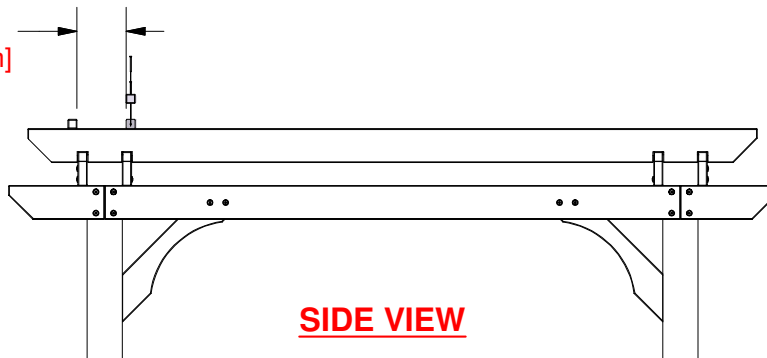
(1) 1 3/8"x1 3/8"x70 3/4" (36x36x1798)



NOTE:
 END OF PURLIN IS 4 3/4" [122 mm]
 FROM EDGE OF D3 SLOTTED JOIST.
 ALIGN HOLES IN PURLIN TO CENTER
 OF EACH JOIST.



7 5/8 in
 [195 mm]



SIDE VIEW

STEP 12 - PERGOLA ASSEMBLY

QTY	PART NUMBER	DESCRIPTION
70	H100201	SCREW PFH 8x2-1/2 BLK

P2 SHORT PURLIN - W4L21794

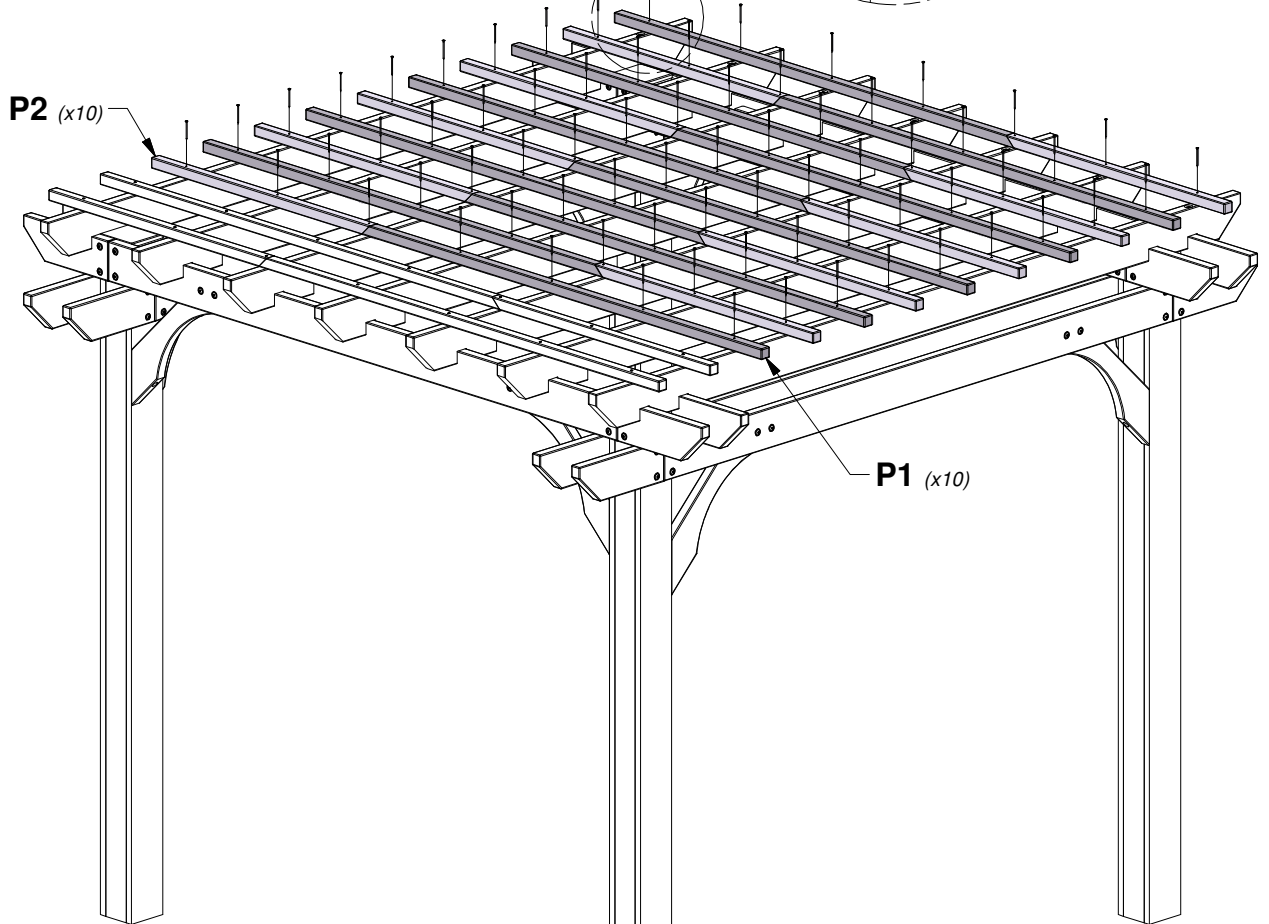
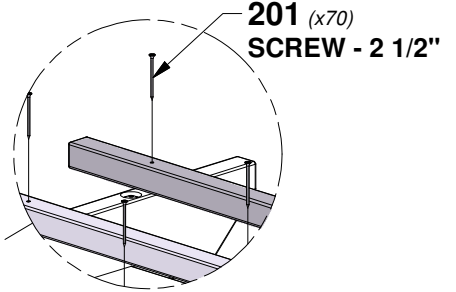
(10) 1 3/8"x1 3/8"x38 5/8" (36x36x981)

P1 LONG PURLIN - W4L21793

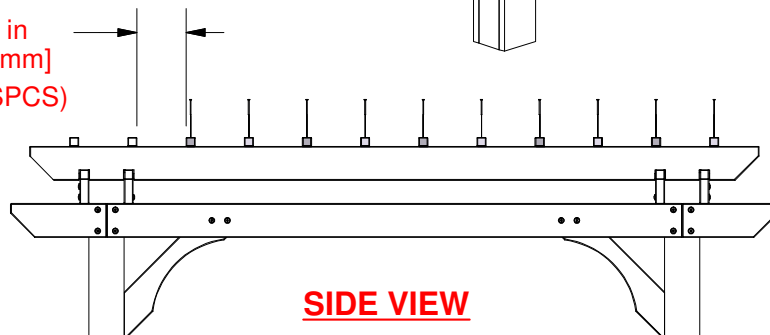
(10) 1 3/8"x1 3/8"x70 3/4" (36x36x1798)

**ASSEMBLE REMAINING P1 AND P2 PURLINS
ALTERNATING LOCATIONS AS SHOWN IN STEPS
10 AND 11.**

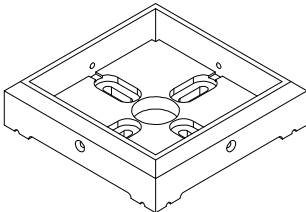
**NOTE:
END OF PURLIN IS 4 3/4" [122 mm]
FROM EDGE OF D3 SLOTTED JOIST.
ALIGN HOLES IN PURLIN TO CENTER
OF EACH JOIST.**



7 5/8 in
[195 mm]
(10 SPCS)



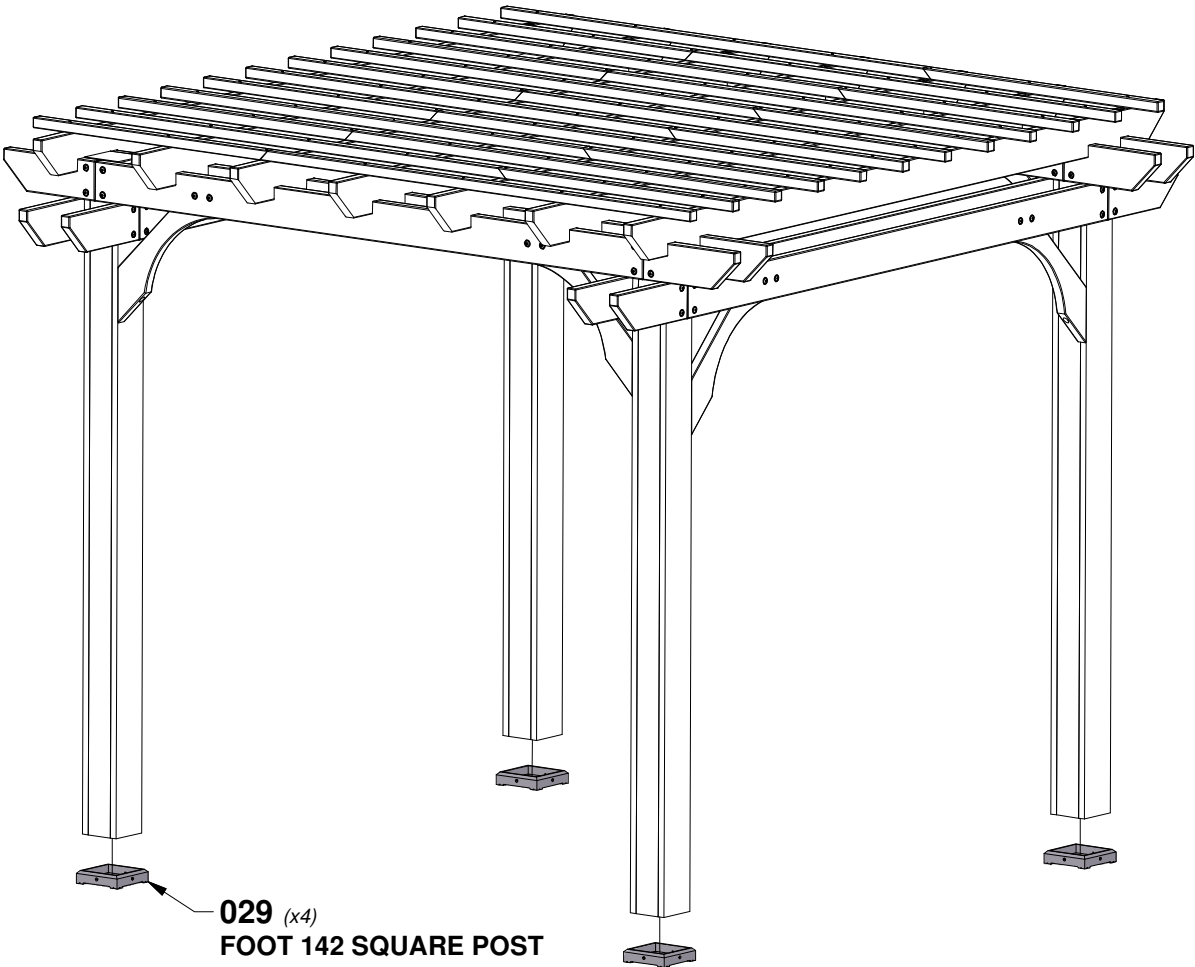
STEP 13 - PERGOLA ASSEMBLY



A100029
(x4) **FOOT 142 SQUARE POST**

DECIDE WHERE TO PLACE THE PERGOLA; GRASS, CONCRETE OR OTHER MATERIAL. PLACE THE PERGOLA EXACTLY WHERE IT WILL BE ANCHORED WHEN COMPLETED AND SLIDE A FOOT 'HT' UNDER EACH POST 'WP1'.

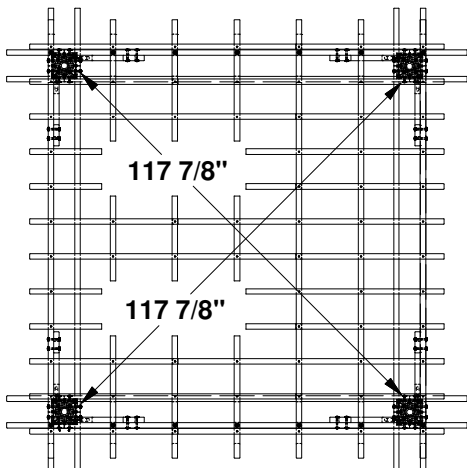
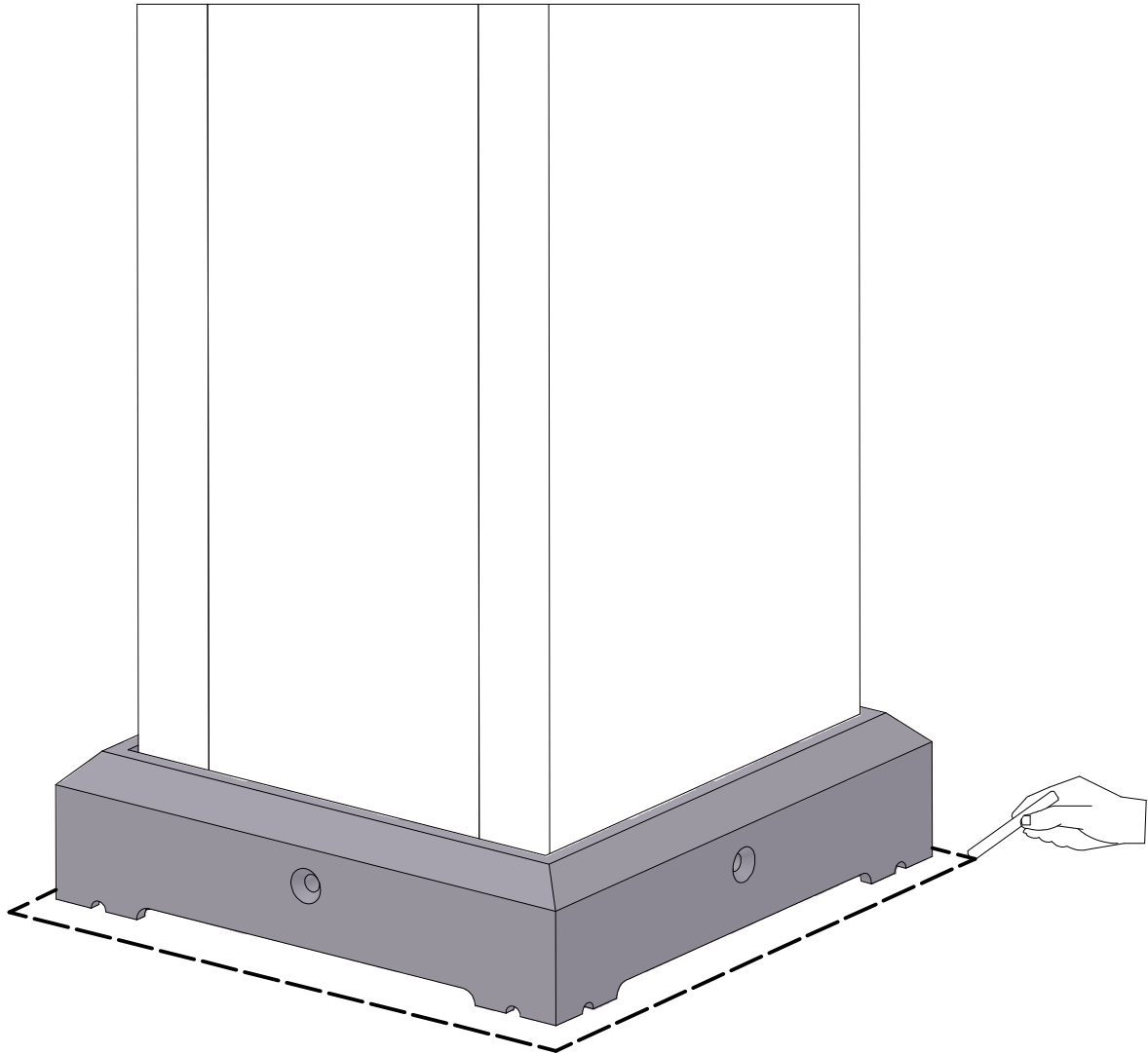
NOTE:
IF NOT PLACING ON CONCRETE, PROCEED TO STEP 17.



029 (x4)
FOOT 142 SQUARE POST

STEP 14 - PERGOLA ASSEMBLY

USE CHALK TO TRACE AROUND THE EDGES OF EACH FOOT.



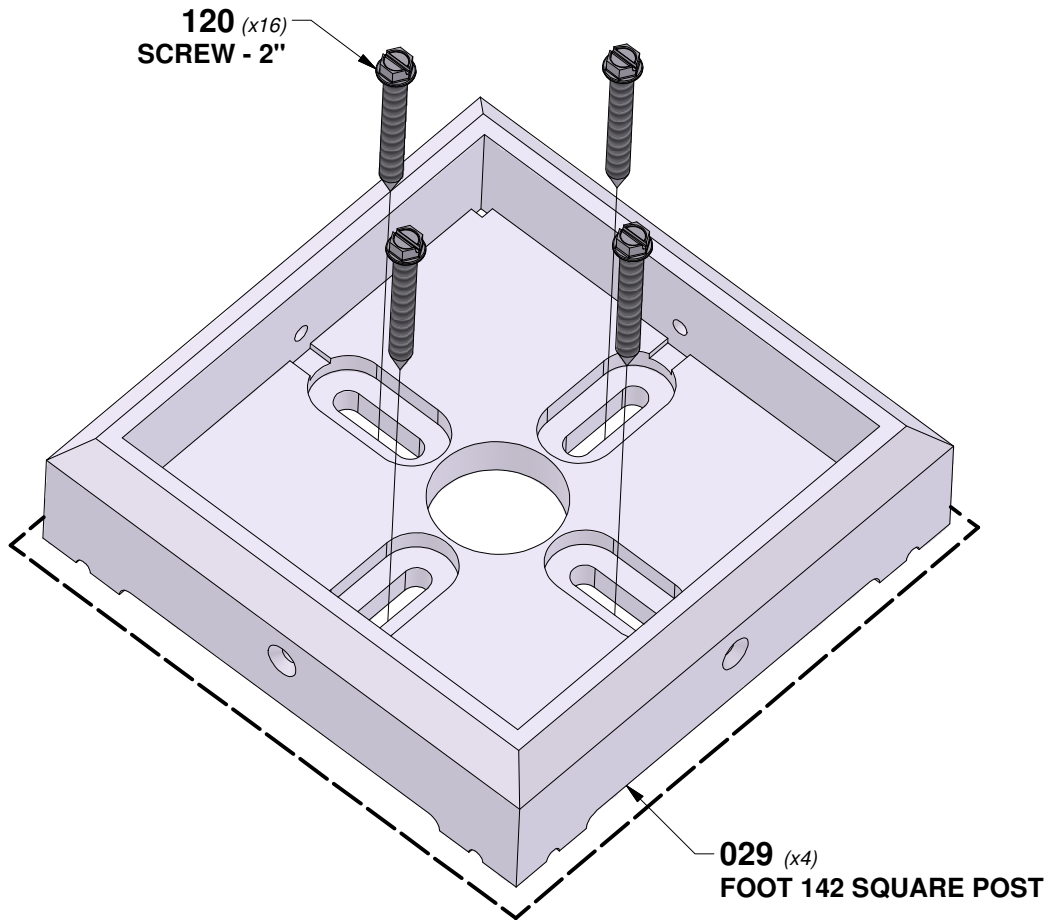
SQUARE POSTS AND TIGHTEN ALL BOLTS AND SCREWS AT THIS TIME.

STEP 15 - PERGOLA ASSEMBLY

QTY	PART NUMBER	DESCRIPTION
16	H100120	CONCRETE ANCHOR 1/4x2

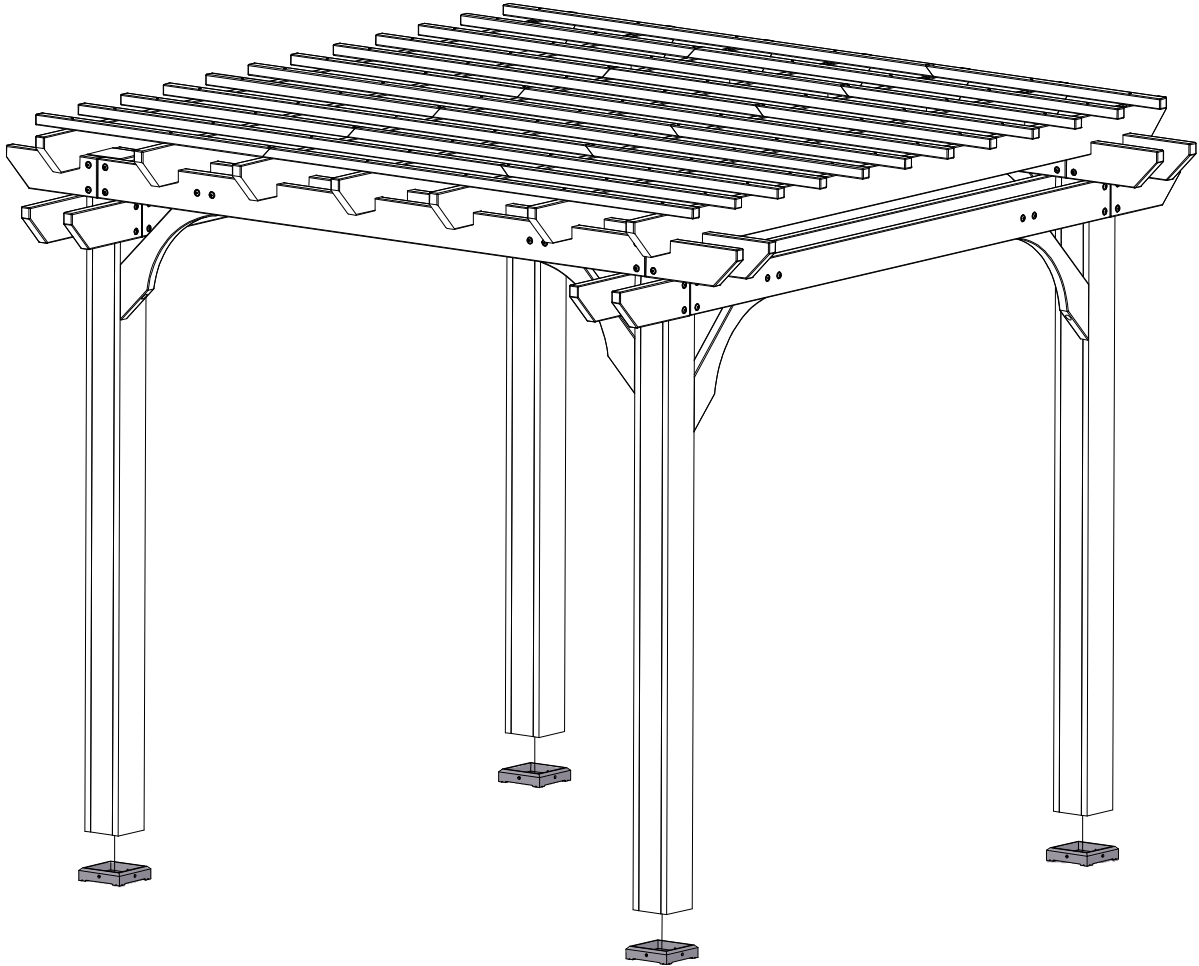
MOVE THE PERGOLA ASIDE. PLACE EACH FOOT INSIDE OF THE LINES DRAWN IN STEP 14. USING A 3/16" CONCRETE DRILL BIT, PILOT DRILL ATTACHMENT HOLES INTO THE CONCRETE PAD.

NEXT, USE THE 1/4"x2" CONCRETE ANCHORS TO ATTACH EACH FOOT TO THE CONCRETE SURFACE.



STEP 16 - PERGOLA ASSEMBLY

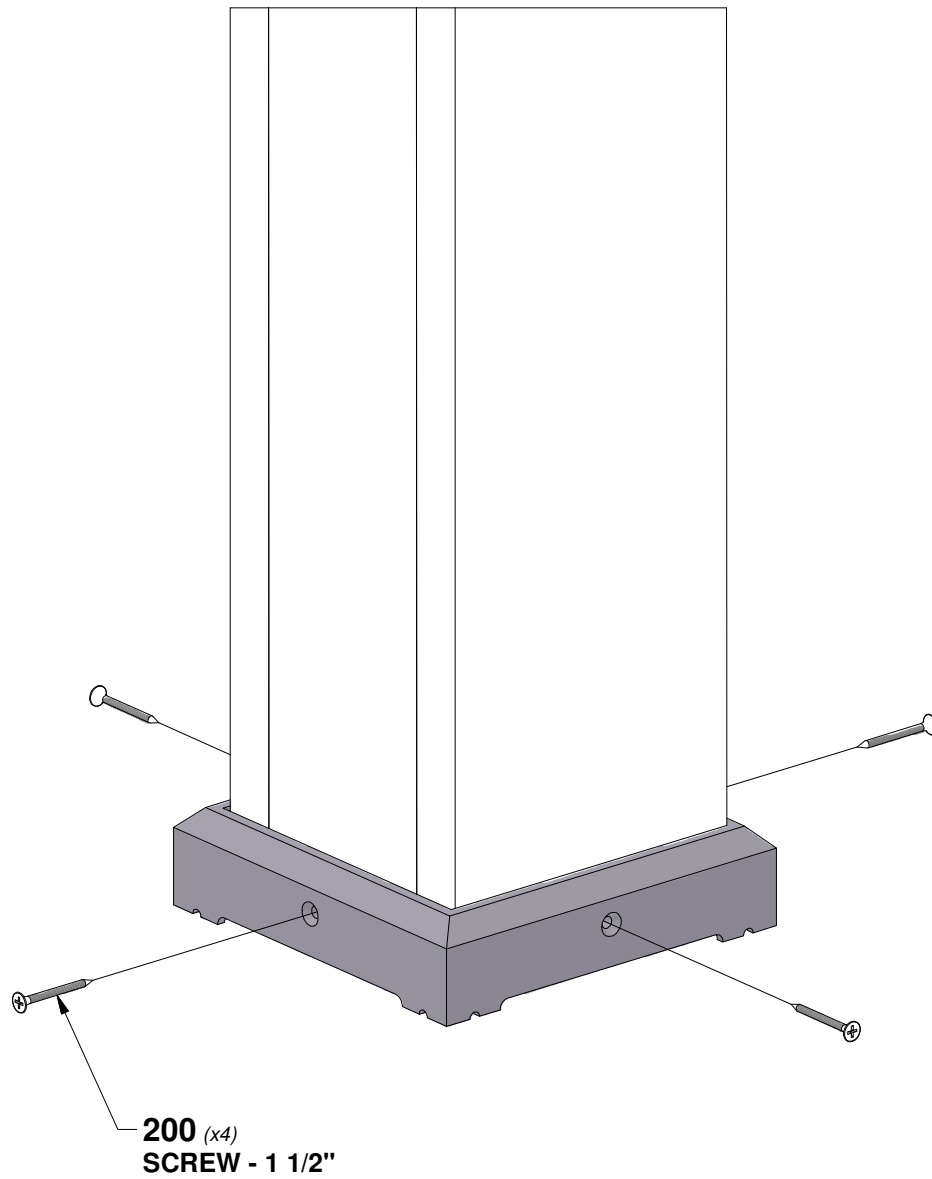
SET THE PERGOLA BACK IN PLACE, SETTING EACH POST 'WP1' INSIDE AN FOOT.



STEP 17 - PERGOLA ASSEMBLY

QTY	PART NUMBER	DESCRIPTION
16	H100200	SCREW PFH 8x1-1/2 BLK

ATTACH FEET TO EACH 'WP1' POST USING 1-1/2" SCREWS INTO EACH SIDE OF FOOT, AS SHOWN.



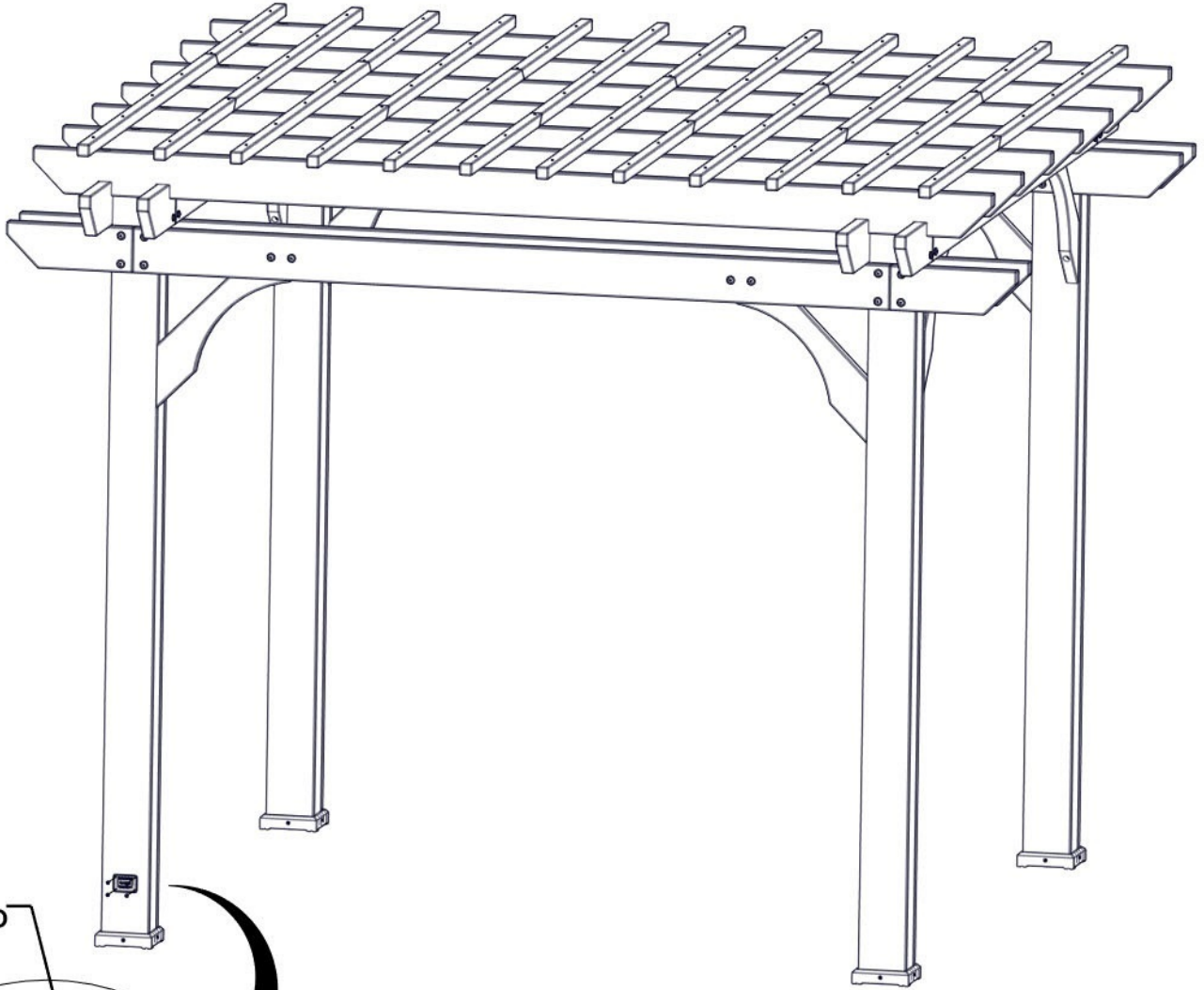
STEP 18 - PERGOLA ASSEMBLY

QTY	PART NUMBER	DESCRIPTION
4	H100392	SCREW PWH 8x3/4 BLK

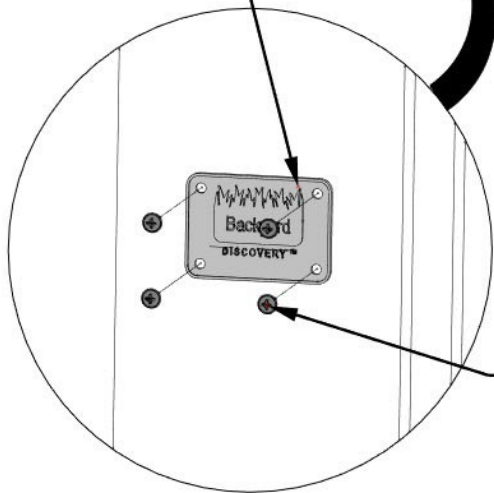


A4M02158 BYD ID TAG PATIO
(x1)

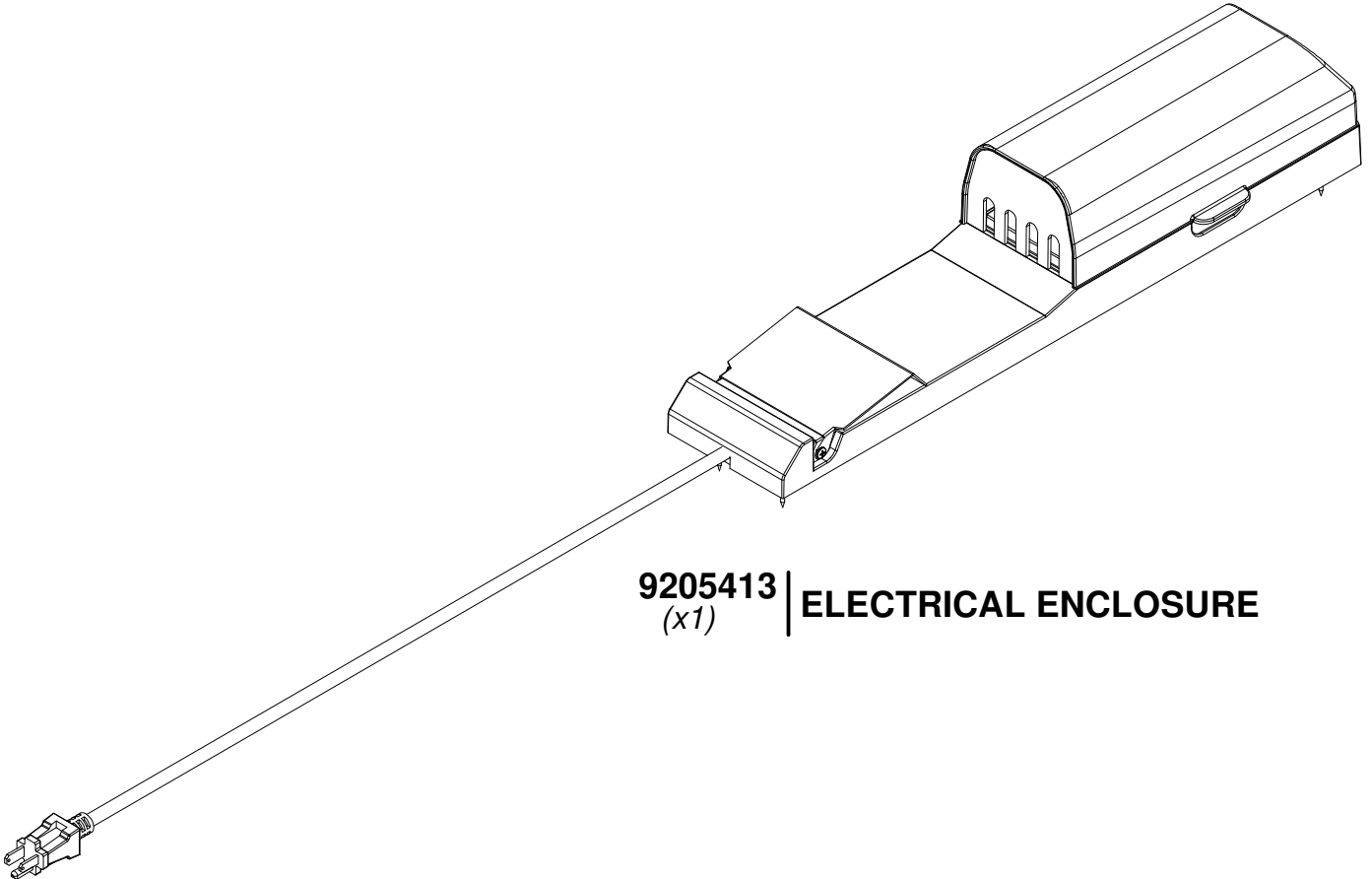
SQUARE POSTS AND TIGHTEN ALL BOLTS AND SCREWS AT THIS TIME.



2158 (x1)
BYD ID TAG PATIO



392 (x4)
SCREW - 3/4"



9205413 | **ELECTRICAL ENCLOSURE**
(x1)

FOR POWERPORT INSTALLATION REFER TO ASSEMBLY INSTRUCTIONS THAT COME PACKAGED WITH THE POWERPORT KIT. INSTALL ON ANY POST THAT IS DESIRED. FOLLOW DIRECTIONS FOR PROPER INSTALLATION.