



**Features**

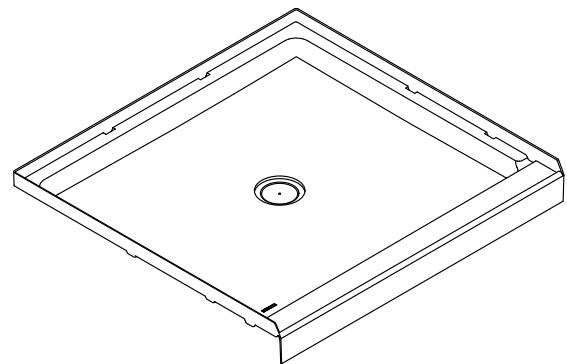
- Full-length water-containment guard and 1" (25 mm) weep channels redirect water into the base, providing four-sided water containment
- Low, 3" threshold provides easy entry and exit from the shower
- Suitable for a wide variety of wall types and shower doors
- Compatible with select STERLING Curve, Medley®, Traverse®, and STORE+® shower walls
- Durable high-gloss finish provides a smooth, shiny surface that is easy to clean

**Material**

- Made from solid Vikrell® material for strength, durability, and lasting beauty

**Recommended Products/Accessories**

- 80001012 12" straight grab bar
- 80001018 18" straight grab bar
- 80001024 24" straight grab bar
- K-23726 Drain treatment



**Codes/Standards**

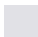
CSA B45.5/IAPMO Z124  
HUD, UM Bulletin 73

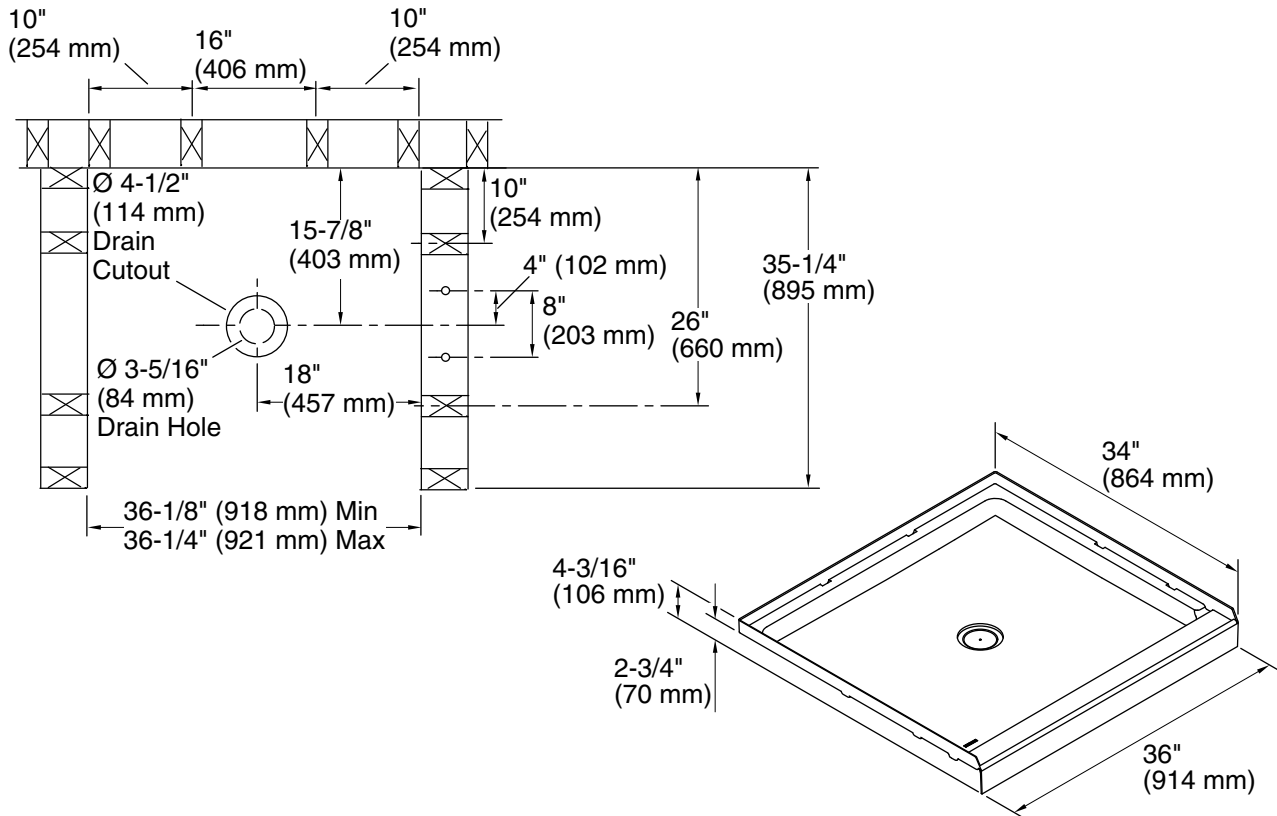
**STERLING® Vikrell® or Acrylic Baths and Shower Bases Ten-Year Limited Warranty**

See website for detailed warranty information.

**Available Colors/Finishes**

*Color tiles intended for reference only.*

Color	Code	Description
	0	White



**Technical Information**

All product dimensions are nominal.

Drain location:	Center
Weight:	23 lbs (10.4 kg)
Minimum flat for door:	2-1/2" (64 mm)

**Notes**

- Install this product according to the installation instructions.
- Studs should be positioned roughly as shown.
- Double studding is recommended for pivot shower door installations.