



Cylinders



Red eXpert

The future of security



Duplication by eXpert
Patented System
Made in Italy



Total security, where and when you need it

CISA RX is the new security system designed to meet the needs of those who want maximum protection always close at hand. Just go into any Red eXpert Center for a personalised maximum-security cylinder and duplicate your key immediately.
eXpert duplication. eXtra security.

PATENTED SECURITY

- latest-generation radial technology with 5 rows of pins
- patented resistance to the most advanced forced entry techniques
- resistance to decoders such as the Topolino type

NEW MODULAR SYSTEM

- to quickly and securely create personalised cylinders ranging between 30-30 and 100-100
- it increases anti-snap and anti-tear protection by 60%
- it acts as a deterrent against attempts at forced entry

RED EXPERT SERVICE

- immediate duplication at your nearest Red eXpert Center
- creation of personalised cylinders at the Red eXpert Centers around the country

PROTECTION AGAINST FORCED ENTRY AND COUNTERFEITING

- cylinder SKG*** certification against attempts at forced entry
- key security covered by two patents valid until 2040
- registered shape trademark

CONTROLLED KEY DUPLICATION

- duplication only possible upon presentation of the SECURICARD
- control over duplications via the web or your smartphone, by activating your account
- view of the duplications log
- generation of an OTP code to add an extra layer of security to duplication



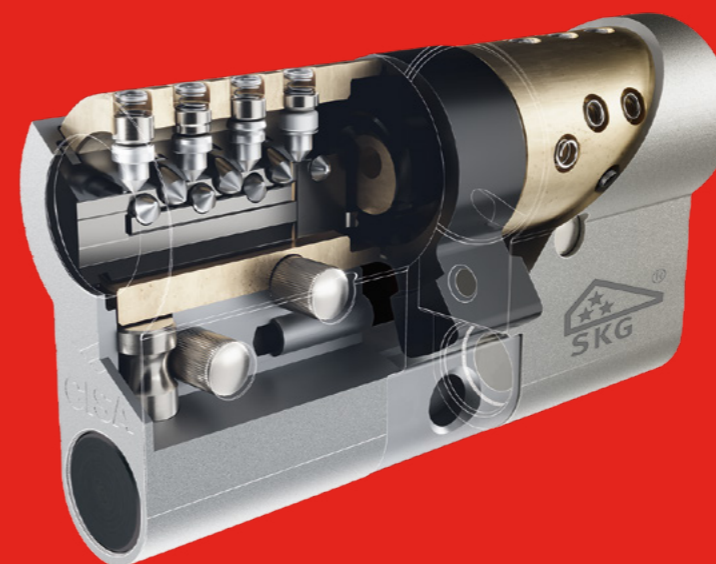
Red eXpert

Red eXpert



Tailored radial technology

The new CISA RX cylinder features the most advanced Made in Italy technology for protection against forced entry, directly in store to provide customers with the tailored security they are looking for.



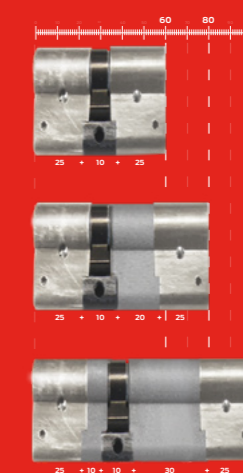
Maximum attack resistance provided by the new 5-row encoding system with 16 radially arranged carbonitride steel pins, capable of **withstanding even the most sophisticated decoders, including the Topolino type.**



The cylinder is personalised thanks to a modular technology which makes it possible to produce any size cylinder between 30-30 and 100-100, minimising time and warehouse space, while increasing security.



+ 60% resistance to pulling, + 700 kg load resistance to tearing due to the new modular system (Patent PCT/IT2020/000043) and the rotor assembly fitted inside.



Patented resistance to "bumping" or percussion, thanks to the special driver assembly (Patent PCT/IT2020/000046).



Patented resistance to picking, thanks to the mobile pin assembly (Patent EP1582662A1).



Cylinder clutch system so the door can be opened from the outside even if the key is in the door inside.



High drill resistance due to the 16 pins and drivers in carbonitrided steel.



Excellent access management potential of complex master key systems (up to 85 million cylinders for one master key).



EN1303:15	Key Related Security: 6	Attack Resistance: D	Durability: 6
	1 2 3 4 5 6	0 A B C D	4 5 6

With Red eXpert duplication becomes even smarter

The key combines the highest level of CISA mechanical security with the absolute safety offered by the protected key duplication service guaranteed by Red eXpert Centers and digital protection.

STAND OUT LIKE A QUALIFIED "Red eXpert" PROFESSIONAL

Personalise one side of the key with your name so, each time customers use the key, they will remember your business.



- **Mechanical patent**
PCT/IT2020/000031 which expires in 2040 to ensure maximum protection for key duplication.
- **Mechanical patent of the mobile element**
PCT/IT2020/000042 which protects the key against cloning using a 3D printer.
- **Registered shape trademark against unauthorised key reproduction.**

- **By presenting your SECURICARD to any Red eXpert Center, the only ones authorised to duplicate keys in store using the new radial technology.**

- Receive notifications via e-mail or text messages of all duplication requests.
- History of all duplication requests, keys supplied as standard and changes to contact details.
- Generation of an OTP code to add an extra layer of security to key duplication.
- Digital duplication request (Ticket) to be sent to the Center or to be given to a delegated person.

To access these new services, just scan the QR code on the card and register, providing the information requested.

TYPE	DESCRIPTION	COMM. DIM.	L	A	B	PINS	KEY ITEM.	kg		ITEM				
								UNIT	PIECES	Type	Dim.	Hand	Fin.	
	<ul style="list-style-type: none"> Double cylinder with clutch system 	30/30	59	29.5	29.5	18	100830000	0.235	1	1	OX3M1	07	0	12
		30/35	64	29.5	34.5	18	100830000	0.243	1	1	OX3M1	26	0	12
		35/35	69	34.5	34.5	18	100830000	0.272	1	1	OX3M1	13	0	12
		40/30	69	39.5	29.5	18	100830000	0.272	1	1	OX3M1	12	0	12
		40/45	74	29.5	44.5	18	100830000	0.274	1	1	OX3M1	27	0	12
		35/40	74	34.5	39.5	18	100830000	0.274	1	1	OX3M1	28	0	12
		30/50	79	29.5	49.5	18	100830000	0.301	1	1	OX3M1	17	0	12
		35/45	79	34.5	44.5	18	100830000	0.289	1	1	OX3M1	19	0	12
		40/40	79	39.5	39.5	18	100830000	0.289	1	1	OX3M1	18	0	12
		30/55	84	29.5	54.5	18	100830000	0.304	1	1	OX3M1	33	0	12
		35/50	84	34.5	49.5	18	100830000	0.360	1	1	OX3M1	31	0	12
		40/45	84	39.5	44.5	18	100830000	0.360	1	1	OX3M1	30	0	12
		30/60	89	29.5	59.5	18	100830000	0.308	1	1	OX3M1	20	0	12
		35/55	89	34.5	54.5	18	100830000	0.320	1	1	OX3M1	32	0	12
		40/50	89	39.5	49.5	18	100830000	0.332	1	1	OX3M1	21	0	12
		45/45	89	44.5	44.5	18	100830000	0.320	1	1	OX3M1	29	0	12
		30/65	94	29.5	64.5	18	100830000	0.333	1	1	OX3M1	41	0	12
		35/60	94	34.5	59.5	18	100830000	0.334	1	1	OX3M1	38	0	12
		40/55	94	39.5	54.5	18	100830000	0.390	1	1	OX3M1	42	0	12
		45/50	94	44.5	49.5	18	100830000	0.355	1	1	OX3M1	39	0	12
		30/70	99	29.5	69.5	18	100830000	0.334	1	1	OX3M1	24	0	12
		35/65	99	34.5	64.5	18	100830000	0.349	1	1	OX3M1	22	0	12
		40/60	99	39.5	59.5	18	100830000	0.349	1	1	OX3M1	25	0	12
		45/55	99	44.5	54.5	18	100830000	0.349	1	1	OX3M1	43	0	12
		50/50	99	49.5	49.5	18	100830000	0.349	1	1	OX3M1	23	0	12
		40/65	104	39.5	64.5	18	100830000	0.349	1	1	OX3M1	44	0	12
		45/60	104	44.5	59.5	18	100830000	0.378	1	1	OX3M1	54	0	12
		30/75	104	29.5	74.5	18	100830000	0.400	1	1	OX3M1	56	0	12
		35/70	104	34.5	69.5	18	100830000	0.402	1	1	OX3M1	49	0	12
		55/50	104	54.5	49.5	18	100830000	0.378	1	1	OX3M1	64	0	12
		35/75	109	34.5	74.5	18	100830000	0.378	1	1	OX3M1	57	0	12
		30/80	109	29.5	79.5	18	100830000	0.420	1	1	OX3M1	37	0	12
		45/65	109	44.5	64.5	18	100830000	0.378	1	1	OX3M1	45	0	12
		40/70	109	39.5	69.5	18	100830000	0.410	1	1	OX3M1	35	0	12
		50/60	109	49.5	59.5	18	100830000	0.410	1	1	OX3M1	36	0	12
55/55	109	54.5	54.5	18	100830000	0.410	1	1	OX3M1	70	0	12		
30/85	114	29.5	84.5	18	100830000	0.420	1	1	OX3M1	77	0	12		
50/65	114	49.5	64.5	18	100830000	0.420	1	1	OX3M1	65	0	12		
55/60	114	54.5	59.5	18	100830000	0.420	1	1	OX3M1	71	0	12		
40/75	114	39.5	74.5	18	100830000	0.420	1	1	OX3M1	59	0	12		
45/70	114	44.5	69.5	18	100830000	0.420	1	1	OX3M1	61	0	12		
30/90	119	29.5	89.5	18	100830000	0.450	1	1	OX3M1	52	0	12		
40/80	119	39.5	79.5	18	100830000	0.450	1	1	OX3M1	60	0	12		
60/60	119	59.5	59.5	18	100830000	0.450	1	1	OX3M1	40	0	12		
50/70	119	49.5	69.5	18	100830000	0.450	1	1	OX3M1	66	0	12		
50/80	129	49.5	79.5	18	100830000	0.450	1	1	OX3M1	55	0	12		
30/100	129	29.5	99.5	18	100830000	0.460	1	1	OX3M1	53	0	12		

With RX modular technology, any size cylinder can be produced between 30-30 and 100-100 with 5 mm increments on each side

TYPE	DESCRIPTION	COMM. DIM.	L	A	B	PINS	KEY ITEM.	kg		ITEM				
								UNIT	PIECES	Type	Dim.	Hand	Fin.	
	<ul style="list-style-type: none"> Single cylinder with 8-position adjustable cam 	30/10	39.5	29.5	10	18	100830000	0.185	1	1	OX3M4	02	0	12
		35/10	44.5	34.5	10	18	100830000	0.185	1	1	OX3M4	07	0	12
		40/10	49.5	39.5	10	18	100830000	0.195	1	1	OX3M4	03	0	12
		45/10	54.5	44.5	10	18	100830000	0.195	1	1	OX3M4	08	0	12
		50/10	59.5	49.5	10	18	100830000	0.215	1	1	OX3M4	04	0	12
		55/10	64.5	54.5	10	18	100830000	0.215	1	1	OX3M4	35	0	12
		60/10	69.5	59.5	10	18	100830000	0.225	1	1	OX3M4	05	0	12
		65/10	74.5	64.5	10	18	100830000	0.245	1	1	OX3M4	21	0	12
		70/10	79.5	69.5	10	18	100830000	0.245	1	1	OX3M4	06	0	12
		80/10	89.5	79.5	10	18	100830000	0.275	1	1	OX3M4	20	0	12
			<ul style="list-style-type: none"> Double cylinder pre-set for thumb turn installation On request: Thumb turns items O6353, O6355, O6356, O6357 	30/30	59	29.5	29.5	18	100830000	0.244	1	1	OX3M2	07
30/35	64			29.5	34.5	18	100830000	0.264	1	1	OX3M2	26	0	12
35/30	64			34.5	29.5	18	100830000	0.259	1	1	OX3M2	81	0	12
30/40	69			29.5	39.5	18	100830000	0.267	1	1	OX3M2	82	0	12
35/35	69			34.5	34.5	18	100830000	0.279	1	1	OX3M2	13	0	12
40/30	69			39.5	29.5	18	100830000	0.279	1	1	OX3M2	12	0	12
40/45	74			29.5	44.5	18	100830000	0.294	1	1	OX3M2	27	0	12
35/40	74			34.5	39.5	18	100830000	0.279	1	1	OX3M2	28	0	12
40/35	74			39.5	34.5	18	100830000	0.294	1	1	OX3M2	83	0	12
45/30	74			44.5	29.5	18	100830000	0.294	1	1	OX3M2	91	0	12
30/50	79			29.5	49.5	18	100830000	0.294	1	1	OX3M2	17	0	12
35/45	79			34.5	44.5	18	100830000	0.318	1	1	OX3M2	19	0	12
40/40	79			39.5	39.5	18	100830000	0.309	1	1	OX3M2	18	0	12
40/45	84			39.5	44.5	18	100830000	0.309	1	1	OX3M2	30	0	12
30/60	89			29.5	59.5	18	100830000	0.309	1	1	OX3M2	20	0	12
40/50	89			39.5	49.5	18	100830000	0.324	1	1	OX3M2	21	0	12
45/45	89			44.5	44.5	18	100830000	0.324	1	1	OX3M2	29	0	12
45/50	94			44.5	49.5	18	100830000	0.324	1	1	OX3M2	39	0	12
40/60	99			39.5	59.5	18	100830000	0.326	1	1	OX3M2	25	0	12
50/50	99			49.5	49.5	18	100830000	0.353	1	1	OX3M2	23	0	12
	<ul style="list-style-type: none"> Double cylinder pre-set for thumb turn installation, with adjustable shaft For use with inside escutcheon item 1.06458.20 On request: Thumb turns items O6353, O6355, O6356, O6357 			30/30	59	29.5	29.5	18	100830000	0.284	1	1	OX3M7	07
		35/30	64	34.5	29.5	18	100830000	0.294	1	1	OX3M7	81	0	12
		40/30	69	39.5	29.5	18	100830000	0.312	1	1	OX3M7	12	0	12
		45/30	74	44.5	29.5	18	100830000	0.320	1	1	OX3M7	91	0	12
		50/30	79	49.5	29.5	18	100830000	0.329	1	1	OX3M7	90	0	12
		55/30	84	54.5	29.5	18	100830000	0.345	1	1	OX3M7	92	0	12
		60/30	89	59.5	29.5	18	100830000	0.359	1	1	OX3M7	87	0	12
		65/30	94	64.5	29.5	18	100830000	0.359	1	1	OX3M7	A3	0	12
		70/30	99	69.5	29.5	18	100830000	0.370	1	1	OX3M7	88	0	12
		80/30	109	79.5	29.5	18	100830000	0.359	1	1	OX3M7	93	0	12
		90/30	119	89.5	29.5	18	100830000	0.392	1	1	OX3M7	C6	0	12
100/30	129	99.5	29.5	18	100830000	0.398	1	1	OX3M7	C7	0	12		

TYPE	DESCRIPTION	FOR LOCK SERIES	L	PINS	KEY ITEM	kg		ITEM				
						UNIT	PIECES	Type	Dim.	Hand	Fin.	
	<ul style="list-style-type: none"> Cylinder 	1A610, 11610, 11615, 50110, 50130, 50180, 50330		18	100830000	0.204	1	1	OX510	00	0	12
	<ul style="list-style-type: none"> Tubular cylinder 	1A611, 11611, 50111, 50131, 50181, 50481	55	18	100830000	0.215	1	1	OX210	55	0	12
	<ul style="list-style-type: none"> Cylinder set with external tubular cylinder 	1A631, 1A721, 1A731	55	18	100830000	0.295	1	1	OX150	00	0	12
	<ul style="list-style-type: none"> Cylinder set with external tubular cylinder 	50121, 50161, 50171, 50421, 50461, 50471, 50521, 50561, 50571	55	18	100830000	0.295	1	1	OX116	00	0	12
		11631, 11731, 11931	55	18	100830000	0.295	1	1	OX120	00	0	12
		11721, 11921	55	18	100830000	0.295	1	1	OX149	00	0	12
	<ul style="list-style-type: none"> Pair of cylinders 	11670		18	100830000	0.295	1	1	OX156	00	0	12
	<ul style="list-style-type: none"> Steel padlock plug 2 keys Pickled brass body Complete with plate 		18	100830000	0.117	1	1	OX610	00	0		
	<ul style="list-style-type: none"> Key extraction in position (O) Ring Deadbolt item 1.06414.25.0 or 1.06414.35.0 to be ordered separately For doors with a max. thickness of 19 mm 		18	100830000	0.117	1	1	OX410	00	0	12	
	<ul style="list-style-type: none"> Microswitch (7 A, 250 V) with welding terminals Automatic return to key extraction position (O) Ring For doors with a max. thickness of 19 mm 		18	100830000	0.117	1	1	OX415	01	0	12	

TECHNICAL FEATURES

Cylinder:

- Key biting system with 16 active pins arranged radially on 5 rows and double side control pin
- Module body in brass with zinc alloy extension bolts
- Carbonitrided steel pins
- Brass rotor
- Carbonitrided drivers
- Blocking and protective carbonitrided steel inserts
- Stainless steel springs
- Clutch-type DIN cam in self-lubricating sintered steel

Key:

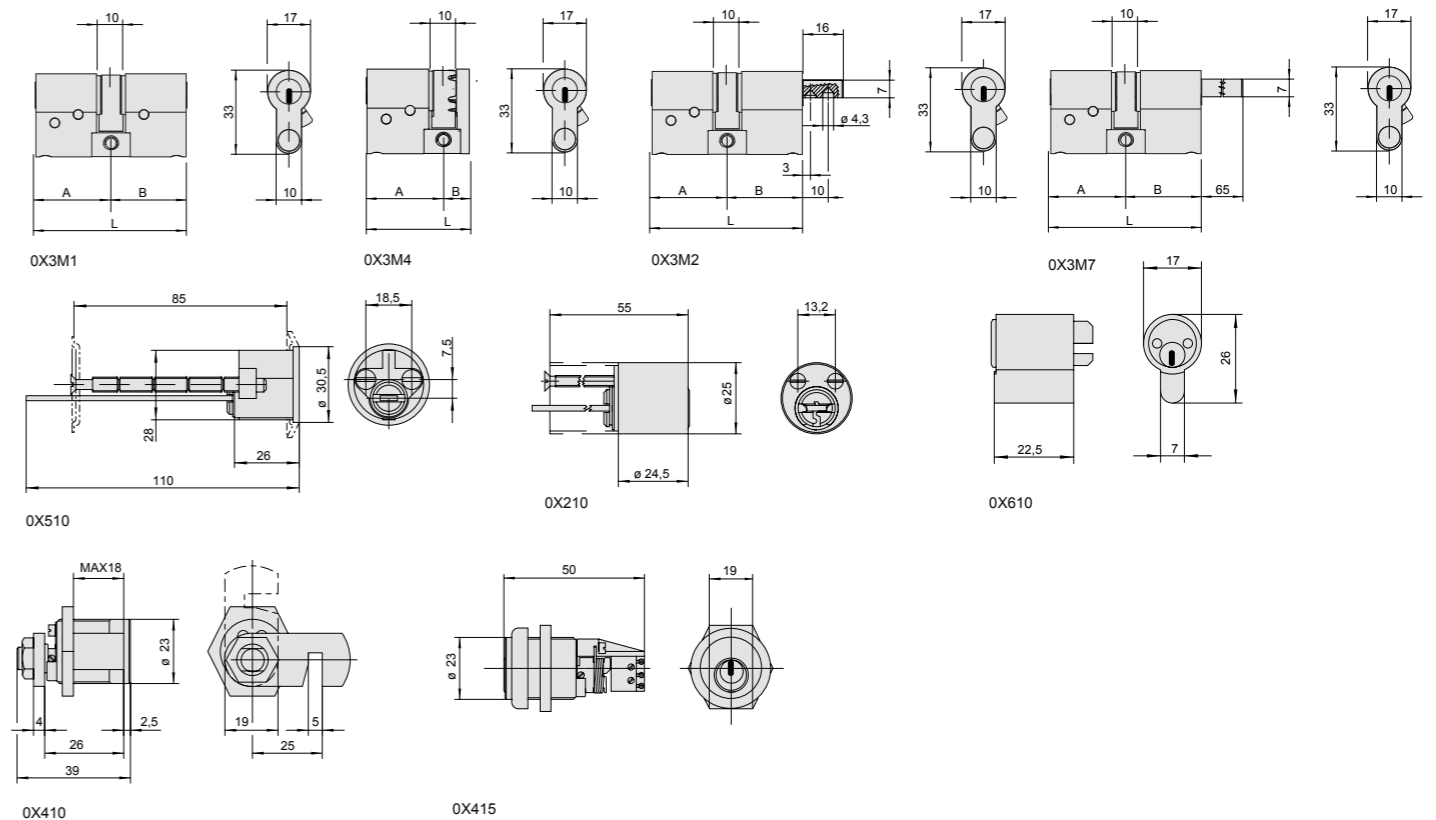
- Flat reversible
- With patented mobile element
- In nickel silver alloy
- Ergonomic plastic key bow
- Key blade 16 mm long, compatible with protective roses
- Numerical code on key bow

Supplied as standard

- 3 keys
- SECURICARD
- Fixing screw

Finishes

- Supplied as standard: nickel-plated sanded brass (fin. 12).
- On request: polished brass (fin. 66), gunmetal grey (fin. 46).





About Allegion


Allegion (NYSE: Allegion (NYSE: ALLE) is a global pioneer in seamless access, with leading brands like CISA®, Interflex®, LCN®, Schlage®, SimonsVoss® and Von Duprin®. Focusing on security around the door and adjacent areas, Allegion secures people and assets with a range of solutions for homes, businesses, schools and institutions.

For more, visit allegion.com.



 CISA SpA
Via Oberdan 42
48018 Faenza (RA) Italy

 Tel. +39 0546 677111
Fax +39 0546 677150

 Customer Service and Technical Support
+39 0546 188 0070

    cisa.com
cisa.vendite@allegion.com