



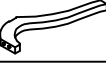
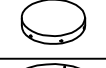







Assembly Instruction

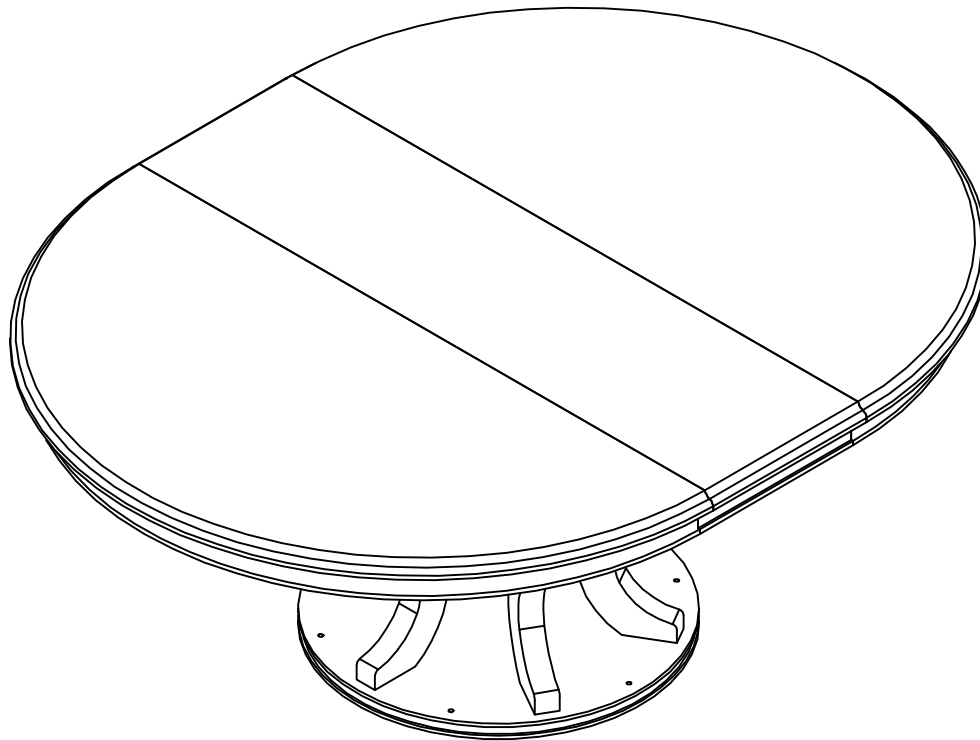
ROUND-OVAL DINING PEDESTAL TABLE

ITEM NO: 5494-76 / 5494-76B

HW in #5494-76 box

PARTS IDENTIFICATION		
NO	Description	Quantity
A	TABLE TOP 	1 PC
B	MOUNTING PLATE 	1 PC
C	LEG 	6 PCS
D	ROUND CONNECT PANEL 	1 PC
E	BASE 	1 PC

HARDWARE LIST			
No.	Description	Sketch	Q'ty
F	Allen Bolt Ø5/16"x2"		24 PCS
G	Lock Washer Ø5/16		24 PCS
H	Flat Washer Ø5/16 x 19 mm		24 PCS
I	Allen Key 4mm		1 PC



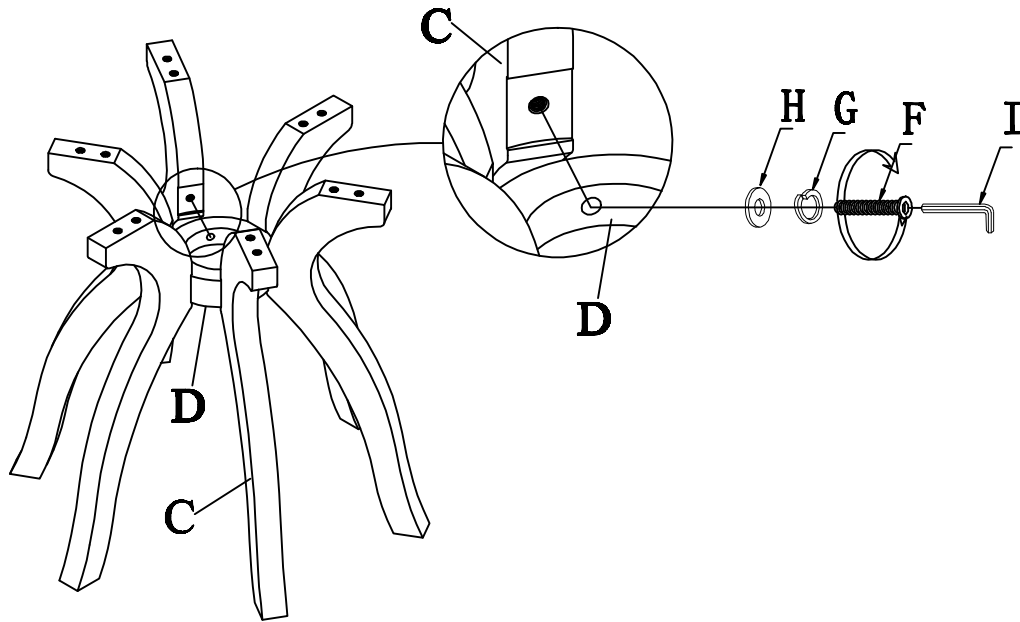


Assembly Instruction

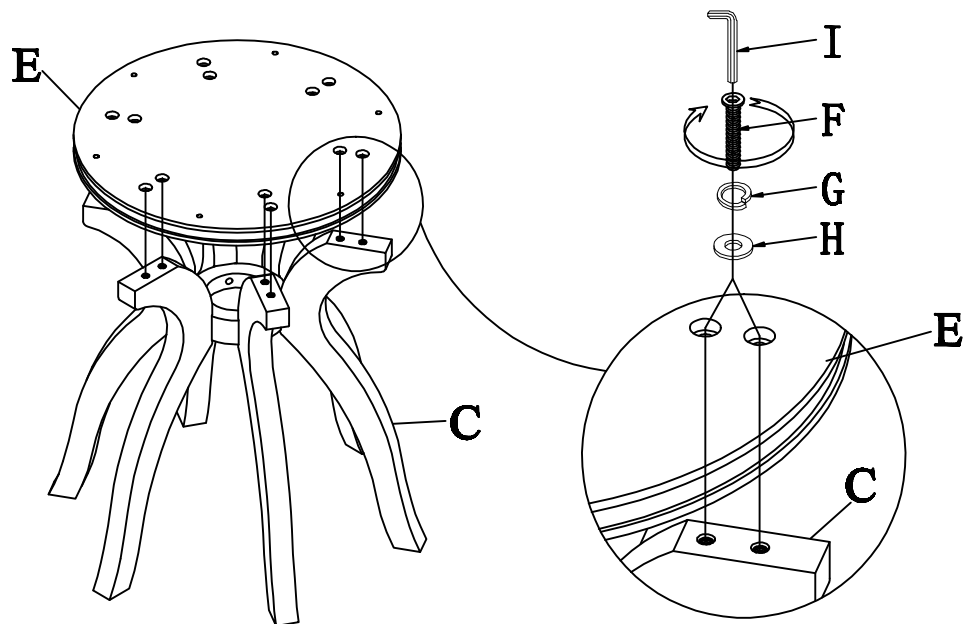
ROUND-OVAL DINING PEDESTAL TABLE

ITEM NO: 5494-76 / 5494-76B

STEP 1:



STEP 2:



For items use on wooden floor, hard surfaces or carpets, it is recommended to install protective pads under all legs and supports to avoid/prevent from damages/scratches and discoloration.



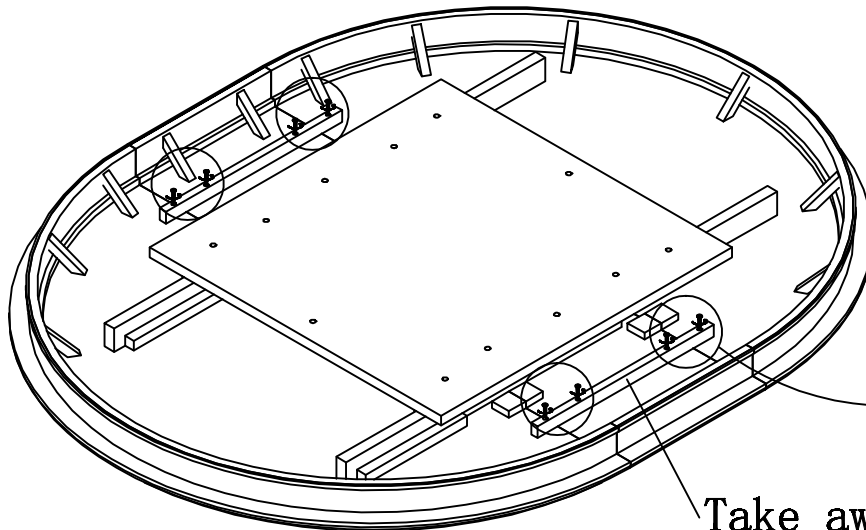
Assembly Instruction

ROUND-OVAL DINING PEDESTAL TABLE

ITEM NO: 5494-76 / 5494-76B

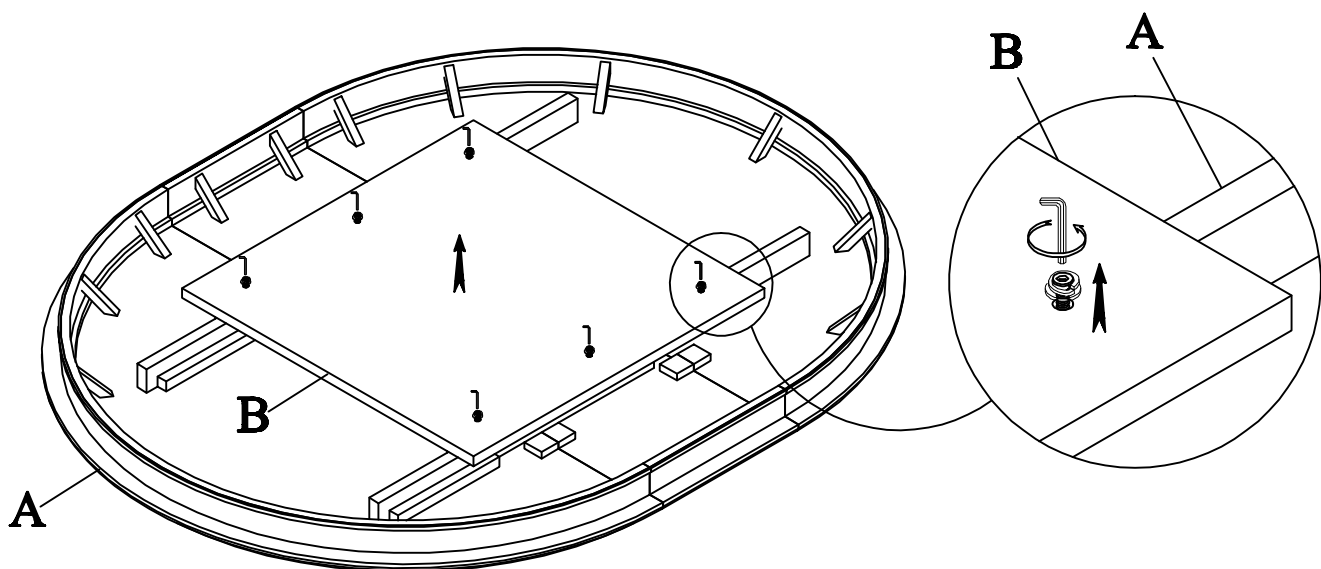
STEP 3:

Release the bolts



Take away

STEP 4:



For items use on wooden floor, hard surfaces or carpets, it is recommended to install protective pads under all legs and supports to avoid/prevent from damages/scratches and discoloration.

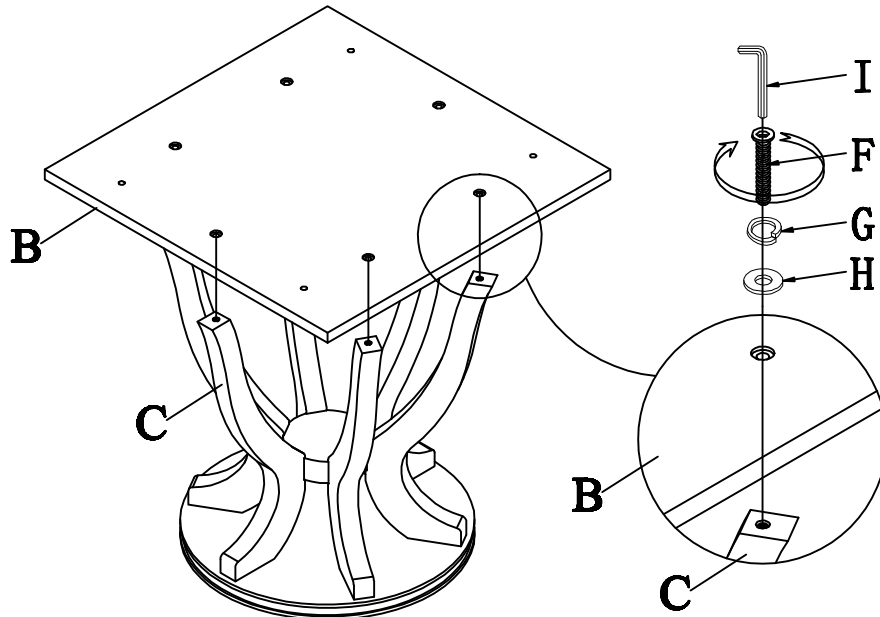


Assembly Instruction

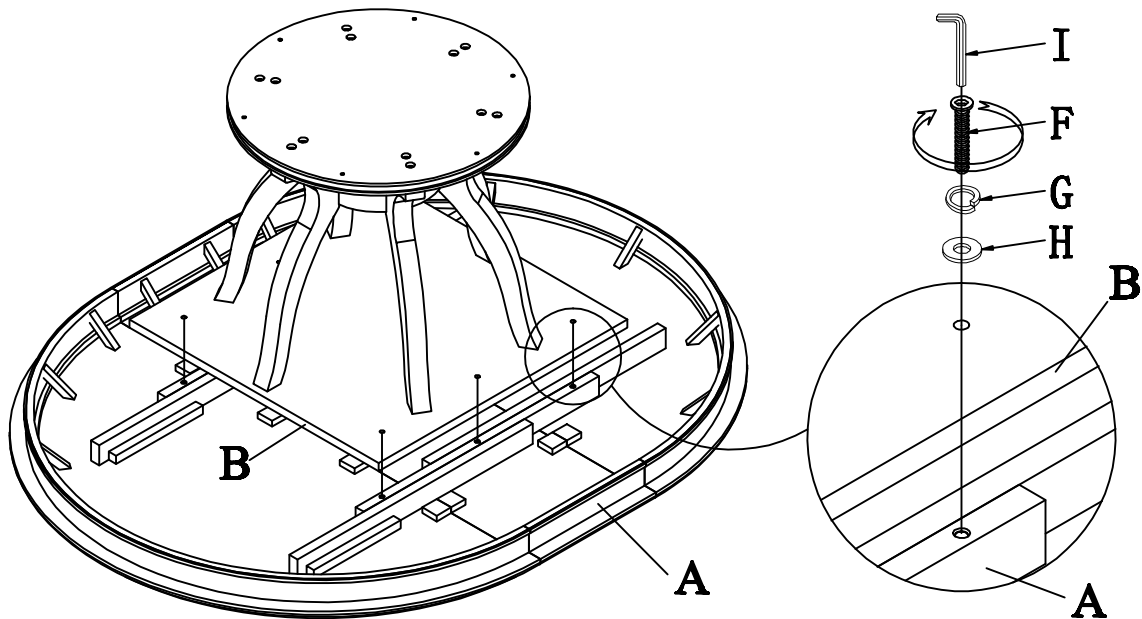
ROUND-OVAL DINING PEDESTAL TABLE

ITEM NO: 5494-76 / 5494-76B

STEP 5:



STEP 6:



For items use on wooden floor, hard surfaces or carpets, it is recommended to install protective pads under all legs and supports to avoid/prevent from damages/scratches and discoloration.